

## ENGLISH

### Diagram References

- 1 Installation**  
Ensure that the detector is installed away from reflected sunlight and large objects.
- 2 Switches**  

1 ON position	OFF position
2 LEDs on	LEDs off
3 Buzzer on	Buzzer off
4 Top PIR high sensitivity	Top PIR low sensitivity
5 Bottom PIR high sensitivity	Bottom PIR low sensitivity

If you disable the detector's LEDs, you can remotely enable them in walk tests.
- 3 Microwave range and angle of detection**  
Use the highlighted dials to change the microwave range and angle of detection.
- 4 LEDs**  
Four LEDs show the status of the detector.
- 5 Lens inserts**  
Use lens inserts to control the coverage area.
- 6 Registration procedure**  
After powering up and after registration, there is a 10 minute timer that allows a walk test of the PIR and microwave sensors. You can set up the sensitivity and microwave range without using the control panel to perform a walk test. After 10 minutes, the detector enters sleep mode. Please register the device within 90 seconds after it being powered on.

### Register Locally

- Make the security control panel enter the registration mode.
  - Register the detector: Hold the registration key until the three LEDs flash alternately. The green LED will flash 8 times if the registration is finished.
  - Communication Test: Release the TEMPER spring to trigger the alarm.
- Note: The distance between the security control panel and the detector should be less than 50 cm.

### Initialize the Detector

- Remove the battery to power the detector off.
- 5s later, hold the registration key and reinstall the battery to power the detector on at the same time to make the three LEDs start flashing alternately. Release the registration key while the three LEDs flash once together.

### Register Via APP

- Log in to the APP Store and input "Hik-Connect" to search the mobile client. Download and install Hik-Connect to your phone.
- After installing, tap to run the client.
- Power on the security control panel.
- Log in the Hik-Connect and tap the icon "+" at the upper-right corner of the Hik-Connect page to add the security control panel. You can scan the QR code on the device rear panel or on the package box, or on the package box, or input the device serial No. manually to add the device when the device is in the registration mode.
- After adding the security control panel, tap the arming status icon on the right of the security control panel's name to enter the Partition page.
- Tap the "+" icon on Partition page to add the peripherals.

### 7 Signal strength test

Enter the signal checking mode by operating on the control panel  
Indicator turns green: Strong Signal.  
Indicator turns red: Weak Signal.

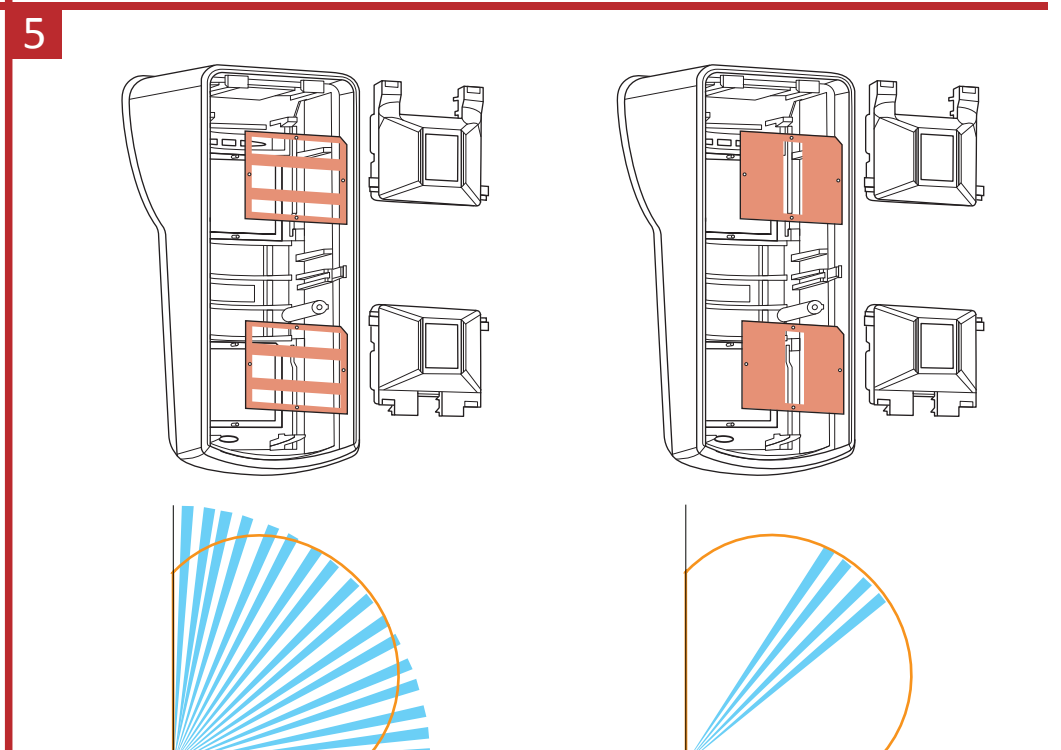
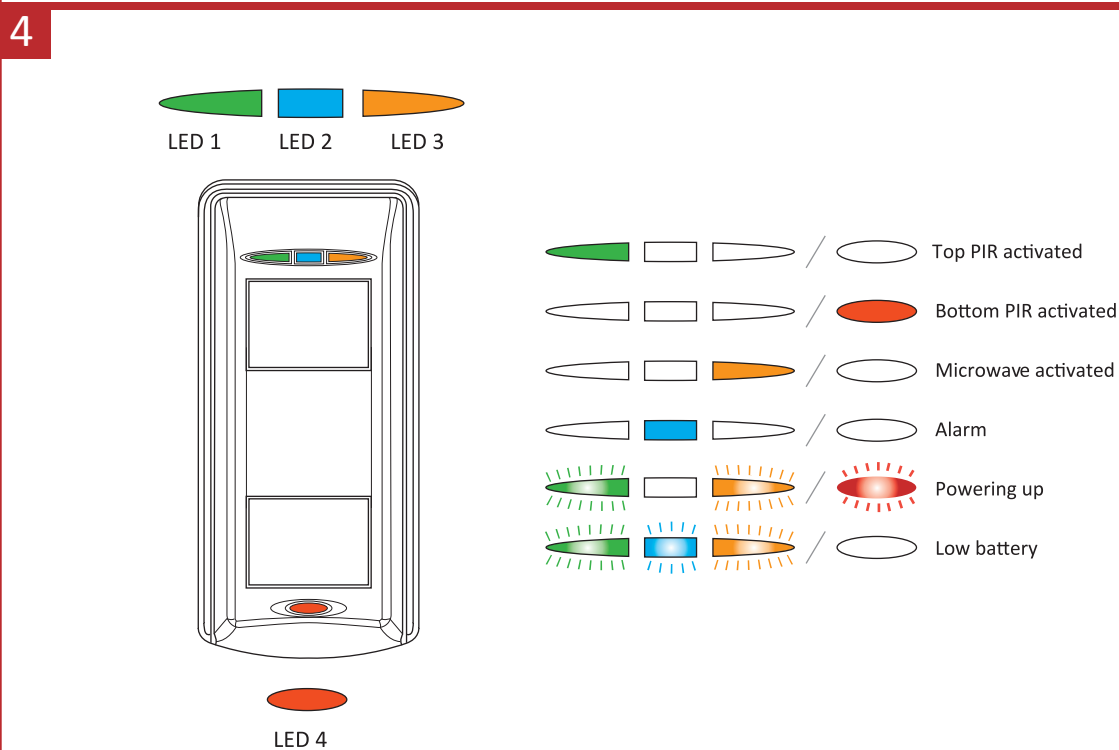
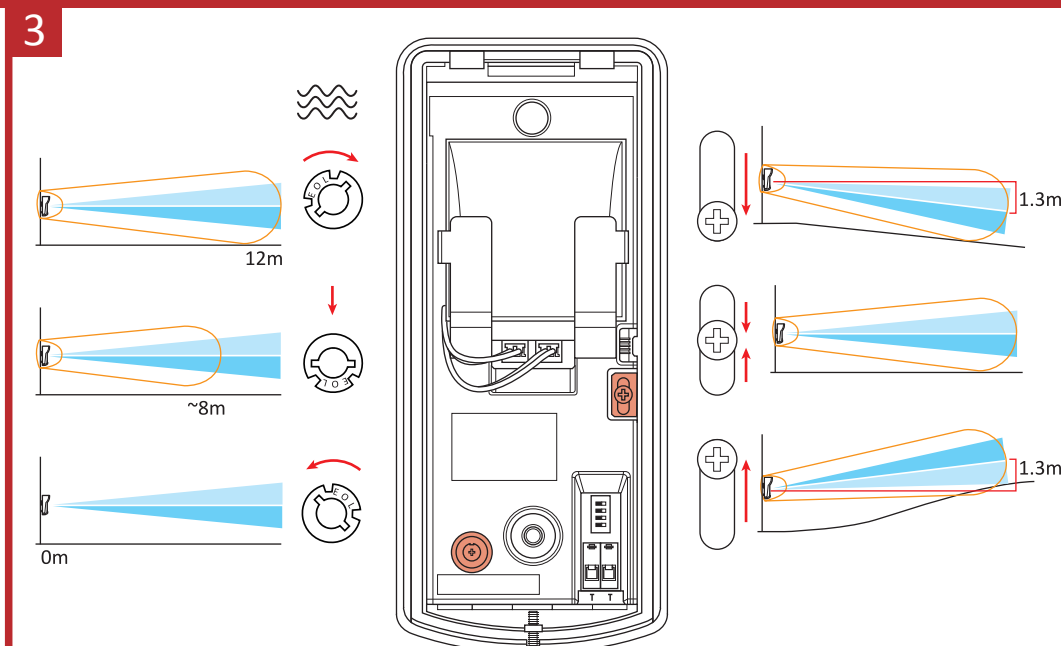
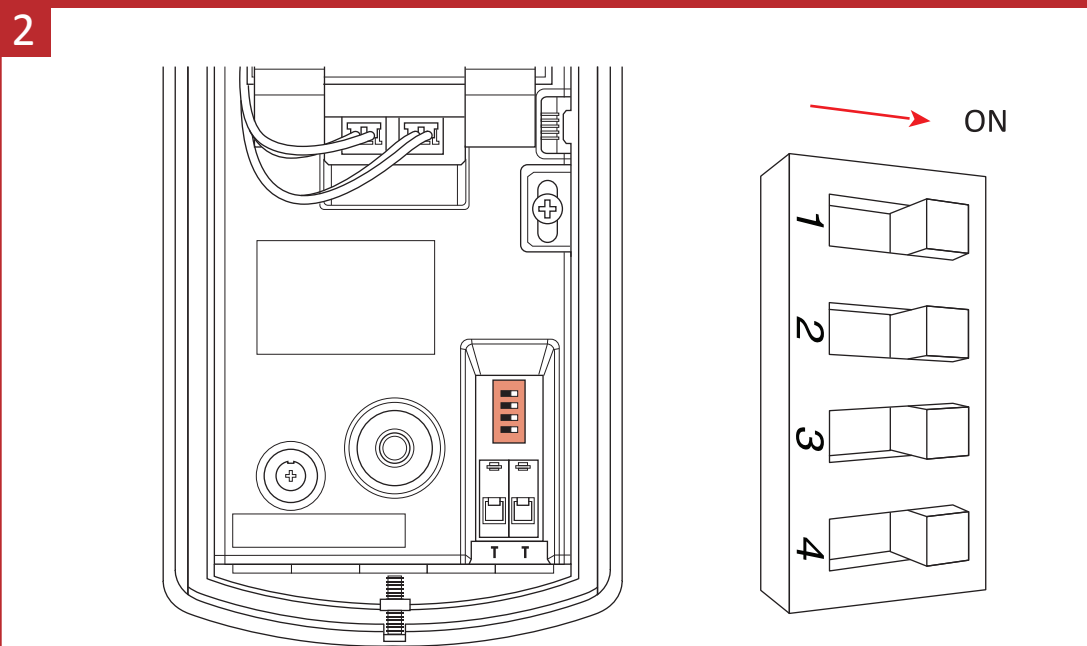
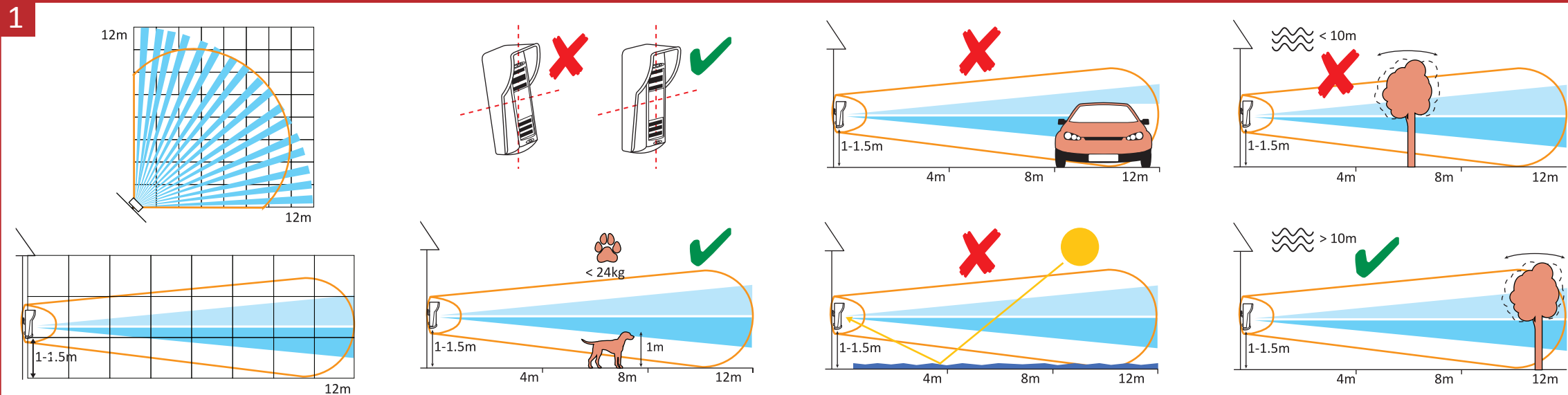
### 8 Bracket tamper signal input

### Technical Specification

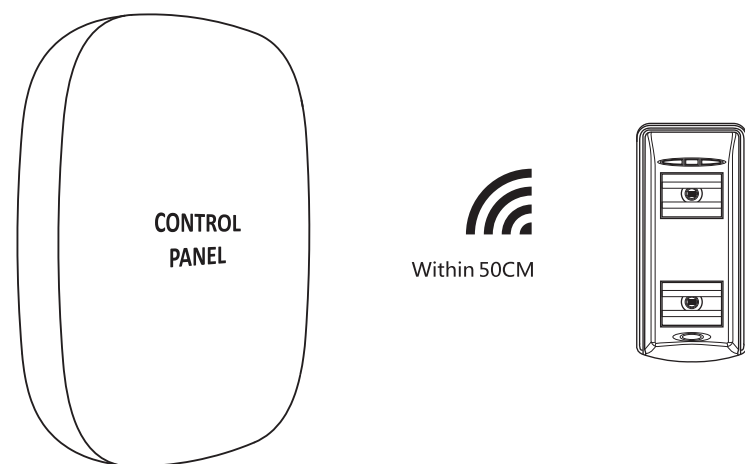
Detectors Technical Characteristics	
Detection Range	12m
Detection Angle	90°
Detection Zones	2x2 zones
Detection Speed	0.25-2.5m/s
Mounting Height	1-1.5m
Two-way Wireless Technology	Yes
Blue Wave Technology	Yes
Dual Element Pyroelectric Sensor	Yes
Tamper Protection	Front, rear, and bracket tamper signal input
Integrated Walk Test Buzzer	Yes
Separated LED Indication:	Top: Microwave, PIR 1 and alarm
Orange(Microwave), Blue(Alarm), Green(PIR)	Bottom: PIR 2
Signal Strength Indicators (SSI)	Yes
3 Microwave Frequencies to Avoid Interference	Yes
Digital Independent Floating Threshold(IFT) Technology	Yes
Plastic Housing	3mm polycarbonate
Animal Immunity	Up to 24kg
Optics	Dual-vision sealed optics
Adjustable Sensitivity	High or low range
Lens	UV compensated
Detection Method	Tri-Signal Detection Logic
Sensor	2 low noise dual element passive infrared sensors and a microwave doppler unit
Environmental and Operating Features	
Weatherproof	IP55 rated
Certified Operating Temperature	-25°C to +60°C (Certified)
Physical Dimensions(H x W x D)	118mm x 77mm x 84mm
Weight	0.3kg
Electrical & battery	
Battery Type	2x3V 4700mAh Lithium battery packs
Battery Life	Up to 3 years
Battery Capacity	4700mAh
Accessories	
Rotatable Wall Mounted	Yes - additional wall and fixed brackets available separately
Fixed Wall Mounted	Yes - additional wall and fixed brackets available separately
Ceiling Mounted	Yes - additional wall and fixed brackets available separately
Battery	Yes - additional battery available separately

### Battery Information

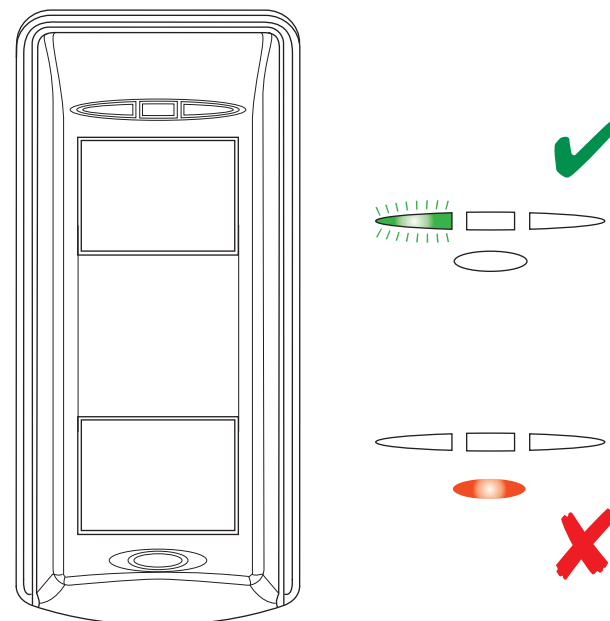
The batteries supplied with this product have been chosen to provide long service life whilst, for safety reasons, having limited output current. The battery leads must be connected for operation. When disposing of the product, remove the batteries and disposed of separately in accordance with the local regulations.



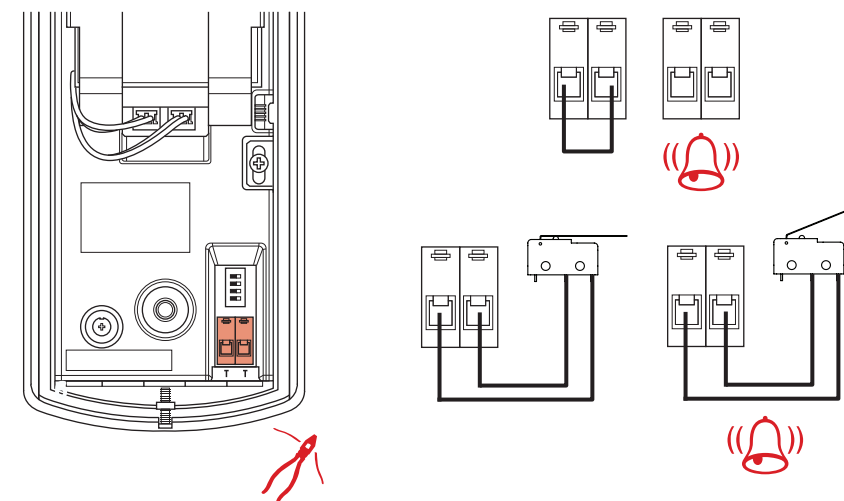
6



7



8



This product and - if applicable - the supplied accessories too are marked with "CE" and comply therefore with the applicable harmonized European standards listed under the RE Directive 2014/53/EU, the EMC Directive 2014/30/EU, the RoHS Directive 2011/65/EU.



2012/19/EU (WEEE directive): Products marked with this symbol cannot be disposed of as unsorted municipal waste in the European Union. For proper recycling, return this product to your local supplier upon the purchase of equivalent new equipment, or dispose of it at designated collection points. For more information see: [www.recyclethis.info](http://www.recyclethis.info)



2006/66/EC (battery directive): This product contains a battery that cannot be disposed of as unsorted municipal waste in the European Union. See the product documentation for specific battery information. The battery is marked with this symbol, which may include lettering to indicate cadmium (Cd), lead (Pb), or mercury (Hg). For proper recycling, return the battery to your supplier or to a designated collection point. For more information see: [www.recyclethis.info](http://www.recyclethis.info)

#### BATTERY WARNING



1. Do not ingest battery, Chemical Burn Hazard
2. Keep new and used batteries away from the children.
3. If the battery compartment does not close securely, stop using the product and keep it away from children.
4. This product contains a coin / button cell battery. If the coin / button cell battery is swallowed, it can cause severe internal burns in just 2 hours and lead to death.
5. If you think batteries might have been swallowed or placed inside any part of the body, seek immediate medical attention.

#### BATTERY CAUTION



1. Risk of fire or explosion if the battery is replaced by an incorrect type.
2. Improper replacement of the battery with an incorrect type may defeat a safeguard (for example, in the case of some lithium battery types).
3. Do not dispose of the battery into fire or a hot oven, or mechanically crush or cut the battery, which may result in an explosion.
4. Do not leave the battery in an extremely high temperature surrounding environment, which may result in an explosion or the leakage of flammable liquid or gas.
5. Do not subject the battery to extremely low air pressure, which may result in an explosion or the leakage of flammable liquid or gas.
6. Dispose of used batteries according to the instructions

#### INSTALLATION CAUTION



The additional force shall be equal to three times the weight of the equipment but not less than 50N. The equipment and its associated mounting means shall remain secure during the installation. After the installation, the equipment, including any associated mounting plate, shall not be damaged.



This product operates in a European non-harmonised frequency band

## Product Information

### User Manual

COPYRIGHT ©2019 Hangzhou Hikvision Digital Technology Co.,Ltd.

ALL RIGHTS RESERVED.

Any and all information, including, among others, wordings, pictures, graphs are the properties of Hangzhou Hikvision Digital Technology Co., Ltd. or its subsidiaries (hereinafter referred to be "Hikvision"). This user manual (hereinafter referred to be "the Manual") cannot be reproduced, changed, translated, or distributed, partially or wholly, by any means, without the prior written permission of Hikvision. Unless otherwise stipulated, Hikvision does not make any warranties, guarantees or representations, express or implied, regarding to the Manual.

#### About this Manual

This manual is applicable to detector.

The Manual includes instructions for using and managing the product. Pictures, charts, images and all other information hereinafter are for description and explanation only. The information contained in the Manual is subject to change, without notice, due to firmware updates or other reasons.

Please find the latest version in the company website

(<http://overseas.hikvision.com/en/>).

Please use this user manual under the guidance of professionals.

#### Trademarks Acknowledgement

**HIKVISION** and other Hikvision's trademarks and logos are the properties of Hikvision in various jurisdictions. Other trademarks and logos mentioned below are the properties of their respective owners.

## FCC Information

Please take attention that changes or modification not expressly approved by the party responsible for compliance could void the user's authority to operate the equipment.

FCC compliance: This equipment has been tested and found to comply with the limits for a Class B digital device, pursuant to part 15 of the FCC Rules. These limits are designed to provide reasonable protection against harmful interference in a residential installation. This equipment generates, uses and can radiate radio frequency energy and, if not installed and used in accordance with the instructions, may cause harmful interference to radio communications. However, there is no guarantee that interference will not occur in a particular installation. If this equipment does cause harmful interference to radio or television reception, which can be determined by turning the equipment off and on, the user is encouraged to try to correct the interference by one or more of the following measures:

- Reorient or relocate the receiving antenna.
- Increase the separation between the equipment and receiver.
- Connect the equipment into an outlet on a circuit different from that to which the receiver is connected.
- Consult the dealer or an experienced radio/TV technician for help.

This equipment should be installed and operated with a minimum distance 20cm between the radiator and your body.

#### FCC Conditions

This device complies with part 15 of the FCC Rules. Operation is subject to the following two conditions:

1. This device may not cause harmful interference.
2. This device must accept any interference received, including interference that may cause undesired operation.



