



## CLVR Control panel

## CONVENTIONAL SYSTEM



Automatic conventional fire detection and fire alarm control panel.

This control panel provides different versions to fit more accurately to the needs of each facility:

- CLVR 02Z: CLVR Control panel up to 2 zones.
- CLVR 04Z: CLVR Control panel up to 4 zones.
- CLVR 08Z: CLVR Control panel up to 8 zones.
- CLVR 12Z: CLVR Control panel up to 12 zones.

CLVR control panels features are common in all its models.

### Features:

- Control panels up to 12 zones for conventional detectors and call points use.
- 2 supervised sounder outputs, delayed from 0 to 10 minutes, and protected by a fuse.
- 1 alarm output through a dry contact NO/NC (normally open / normally closed).
- 1 fault output through a dry contact NO/NC (normally open / normally closed).
- 2 auxiliary outputs 30V/DC supervised and protected by a fuse to feed external (magnetic fire doors, sounders, etc).
- Available testing mode to facilitate the quick and easy verification of the sensors and call points.
- It allows to configure the open line, alarm detector and alarm call point threshold, to adjust to the operation with other detectors.
- It allows to configure the last detection zone as a supervision input of a external protection fire system with a fault indication.
- Metallic chest with frontal bolted door, 4 predrilled of 28 mm and one rectangular else of 140 x 20 mm for electric wiring and space for 2 batteries of 7Ah.
- RS485 MODBUS protocol on-demand.
- Possibility of software ON-LINE on PC using MODBUS functionality.
- CONTACTID on-demand.
- Certified according to EN 54-2 & EN 54-4 standards and CE mark .

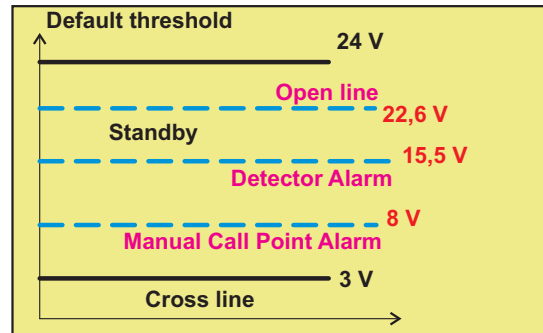
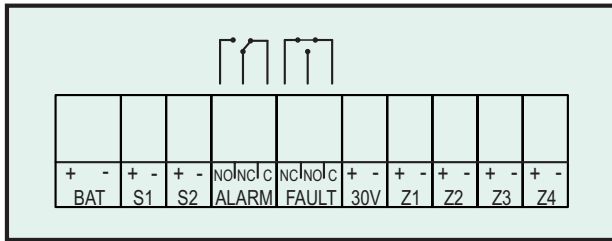
### TECHNICAL FEATURES

|                            |  |                            |                                     |
|----------------------------|--|----------------------------|-------------------------------------|
| Input voltage              | 110/230VAC 50/60Hz                     | End of line capacitor      | 4 K7                                |
| Output voltage             | 21 V Nominal                           | Sounder output voltage     | 30 V/DC 2 A                         |
| Maximum consumption        | 70 VA to 230 V/AC                      | Fault output               | Yes, dry contact                    |
| Batteries                  | 2 x 12 V 7 Ah SLA                      | Environmental conditions   | -10°C +50°C                         |
| Max. voltage 30V output    | 0,75A / 1,50A <sup>(1)</sup> AUTORESET | Size                       | 363 x 331 x 96 mm                   |
| Battery charger            | 500 mA 27 V/DC 20°C                    | Weight (without batteries) | 4,3 Kg                              |
| Devices per zone           | 32                                     | Standar                    | EN 54-2, EN 54-4 & EN 12094-1       |
| Control panel power supply | 2,2 A                                  | Sounder output fuse S1     | 1A / 1,85A <sup>(1)</sup> Autoreset |
| Maximum current per zone   | 2 mA (standby)                         | Sounder output fuse S2     | 1A / 0,75A <sup>(1)</sup> Autoreset |

<sup>(1)</sup>CLVR08Z and CLVR12Z control panels

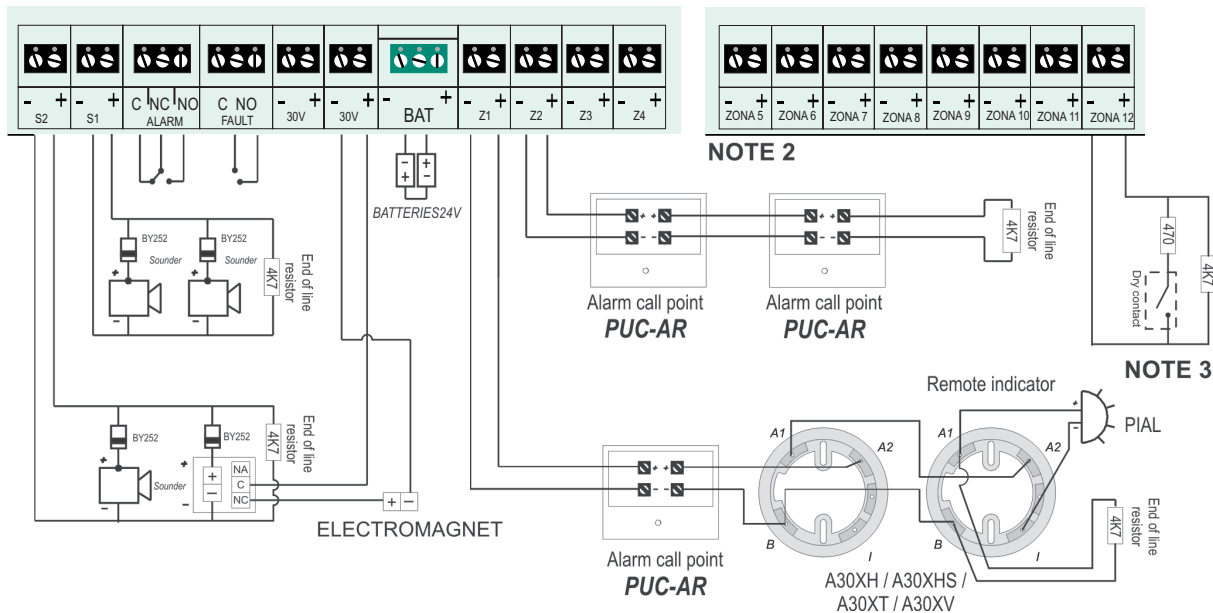
# CONVENTIONAL SYSTEM

## Wiring diagram



**NOTE 1**

\* Only CLVR02Z / CLVR04Z



**NOTE 2**

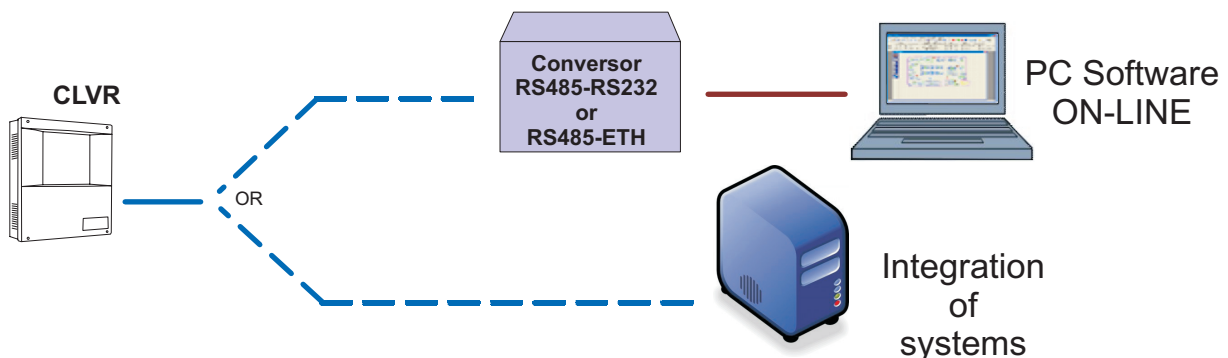
**NOTE 3**

**NOTE 1: Zones 3 and 4 are not functional in CLVR02Z control panel.**

**NOTE 2: This card contains 4 or 8 zones depending on the model (CLVR08Z/CLVR12Z).**

**NOTE 3: Last zone configured for external system monitoring.**

Example of general wiring diagram



Example of connection for MODBUS functionality