

AE-VC211T-IRS series HD 1080P Mini Dome Camera



Key Features

- 2 megapixel progressive CMOS sensor
- Up to 1080p resolution
- OSD menu, DNR, Smart IR, AGC
- IR cut filter
- True WDR
- Internal 3-axis adjustment
- Built-in microphone
- Up the Coax (HIKVISION-C)



Specifications

Camera	
Image Sensor	2 megapixel progressive CMOS sensor
Signal System	PAL/NTSC
Effective Pixels	1964 (H) × 1116 (V)
Min. illumination	0.01 Lux @ (F1.2, AGC ON), 0 Lux with IR
Shutter Time	1/25 s (1/30 s) to 1/50,000 s
Lens	3.6 mm (2.8 mm, and 6 mm are selectable)
Lens Mount	M12
Day & Night	IR cut filter
Angle Adjustment	Pan: -30° to 30°, Tilt: 0° to 75°, Rotate: -180° to 180°
Synchronization	Internal Synchronization
Ture WDR	> 120 dB
Video Frame Rate	1080p@25fps, 1080p@30fps
S/N Ratio	> 62 dB
Interface	
Video Out	1-ch, Aviation Port
Audio In	Built-in Microphone
Audio Out	1-ch, Aviation Port (Linear Level, 1KΩ)
Aviation Plug	Pin 1: Video, Pin 2: Audio, Pin 3: Power, Pin 4: GND
Menu	
AGC	Low/Middle/High/OFF
D/N Mode	Color/BW/SMART
White Balance	Manual/Auto
BLC	Support
Language	Chinese/English
Functions	Brightness, Contrast, Saturation, Sharpness, Digital noise reduction, Mirror
General	
Operating Conditions	Temperature: -40 °C to 60 °C (-40 °F to 140 °F), Humidity: 90% or less (no condensation)
Power Supply	12 V DC±15%
Power Consumption	Max. 4 W
Protection Level	IK 07
IR Distance	10 m to 20 m
Dimensions	97 mm × 99.5 mm × 46.6 mm (3.82" × 3.92" × 1.83")
Weight	Approx. 300 g (0.66 lb.)

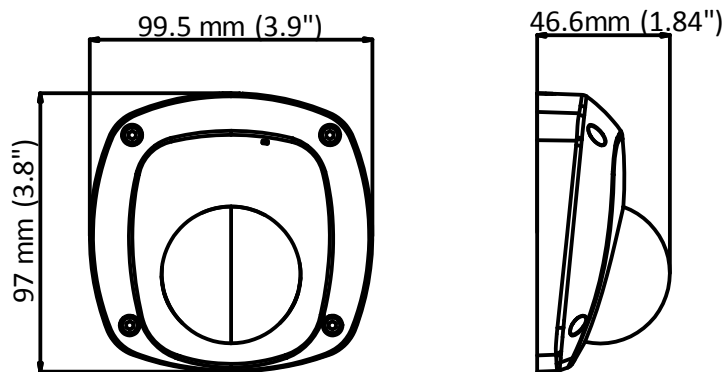
Order Models

AE-VC211T-IRS (2.8mm)

AE-VC211T-IRS (3.6mm)

AE-VC211T-IRS (6mm)

Dimensions



Accessories



DS-1280ZJ-XS
Junction box



DS-1H18
Video Balun



X41T
Camera Tester

Distributed by



Headquarters

No.555 Qianmo Road, Binjiang District,
Hangzhou 310051, China
T +86-571-8807-5998
overseasbusiness@hikvision.com

Hikvision USA
T +1-909-895-0400
sales.usa@hikvision.com

Hikvision Europe
T +31-23-5542770
saleseuro@hikvision.com

Hikvision Middle East
T +971-4-8816086
salesme@hikvision.com

Hikvision Russia
T +7-495-669-67-99
saleru@hikvision.com

Hikvision India
T +91-22-28469900
sales@pramahikvision.com

Hikvision Italy
T +39-0438-6902
info.it@hikvision.com

Hikvision France
T +33(0)1-85-330-444
info.fr@hikvision.com

Hikvision Spain
T +34-91-737-16-55
info.es@hikvision.com

Hikvision Poland
T +48-22-460-01-50
poland@hikvision.com

Hikvision UK
T +44-1628-9021-4
support.uk@hikvision.com

Hikvision Singapore
T +65-6684-4718
sg@hikvision.com

Hikvision Oceania
T +61-2-8599-4233
salesau@hikvision.com

Hikvision Hong Kong
T +852-2151-1761

Hikvision Canada
T +1-909-895-0400
sales.usa@hikvision.com