

DS-MH4172I/2T Dock Station



Introduction

The dock station provides a simplified way to access and automatically back up law-enforcement data from Hikvision body camera.

Available Model

DS-MH4172I/2T

Key Feature

- Simultaneously collect data from up to 8 body cameras automatically.
- Obtain date, serial No., police ID, and remaining data of the body camera.
- (Optional) clear data in body camera after data is successfully collected.
- Log management.
- Data overwriting.
- Lock collected files to prevent it from being overwritten.
- In case data collection is suddenly broken off, dock station will resume data collection from the breakpoint at next collection.
- Search collected data by time, by file type, by device No., etc.
- The body camera cradles on the dock station can be changed according to the body camera model.
- Embedded WEB server.



Specification

Model		DS-MH4172I
Data Collection	Average Speed	8 MB/s
Appearance	Dimension	400 × 300 × 110 mm (15.7 × 11.8 × 4.3")
	No. of Slots	8 ports for body worn cameras
	System indicator	1 × power indicator, 1 × HDD indicator, 1 × network connection indicator, 1 × network transmission indicator, 8 × status indicator
	Button	1 × power switch, 1 × reset button
Hardware	CPU	Quad core CPU
	Memory	4 GB
	HDD	4 × 3.5 inch HDD. 2 TB to 6 TB for each HDD
	Charging Duration for Body Camera	4 to 5.5 hours
	Power Consumption	200 W
Interface	USB Interface	2 × USB 3.0 interface, 2 × USB 2.0 interface
	HDMI Interface	2
	Audio Input/output	1/1
	VGA Interface	1
	Network Interface	2 × 10M/100M/1000M Ethernet interface
	Loudspeaker	2
General	Weight	Approx. 9 kg (19.8 lb)
	Working Temperature	-10 °C to +55 °C (+14 °F to +131 °F)
	Working Humidity	10% to 90%

Distrib



Headquarters

No.555 Qianmo Road, Binjiang District,
Hangzhou 310051, China
T +86-571-8807-5998
overseasbusiness@hikvision.com

Hikvision USA
T +1-909-895-0400
sales.usa@hikvision.com

Hikvision Australia
T +61-2-8599-4233
salesau@hikvision.com

Hikvision India
T +91-22-28469900
sales@pramahikvision.com

Hikvision Canada
T +1-866-200-6690
sales.canada@hikvision.com

Hikvision Thailand
T +662-275-9949
sales.thailand@hikvision.com

Hikvision Europe
T +31-23-5542770
sales.eu@hikvision.com

Hikvision Italy
T +39-0438-6902
info.it@hikvision.com

Hikvision Brazil
T +55 11 3318-0050
Latam.support@hikvision.com

Hikvision Turkey
T +90 (216)521 7070- 7074
sales.tr@hikvision.com

Hikvision Malaysia
T +601-7652-2413
sales.my@hikvision.com

Hikvision UK & Ireland
T +01628-902140
sales.uk@hikvision.com

Hikvision South Africa
Tel: +27 (10) 0351172
sale.africa@hikvision.com

Hikvision France
T +33(0)1-85-330-450
info.fr@hikvision.com

Hikvision Kazakhstan
T +7-727-9730667
nikia.panfilov@hikvision.ru

Hikvision Vietnam
T +84-974270888
sales.vt@hikvision.com

Hikvision UAE
T +971-4-4432090
salesme@hikvision.com

Hikvision Singapore
T +65-6684-4718
sg@hikvision.com

Hikvision Spain
T +34-91-737-16-55
info.es@hikvision.com

Hikvision Tashkent
T +99-87-1238-9438
uzb@hikvision.ru

Hikvision Hong Kong
T +852-2151-1761
info.hk@hikvision.com

Hikvision Russia
T +7-495-669-67-99
saleru@hikvision.com

Hikvision Korea
T +82-(0)31-731-8817
sales.korea@hikvision.com

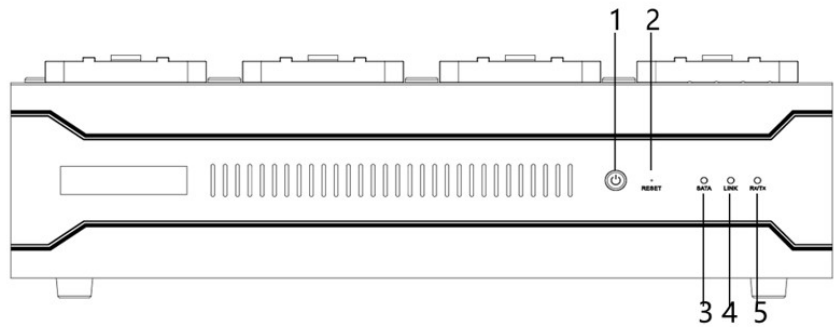
Hikvision Poland
T +48-22-460-01-50
info.pl@hikvision.com

Hikvision Indonesia
T +62-21-2933759
Sales.Indonesia@hikvision.com

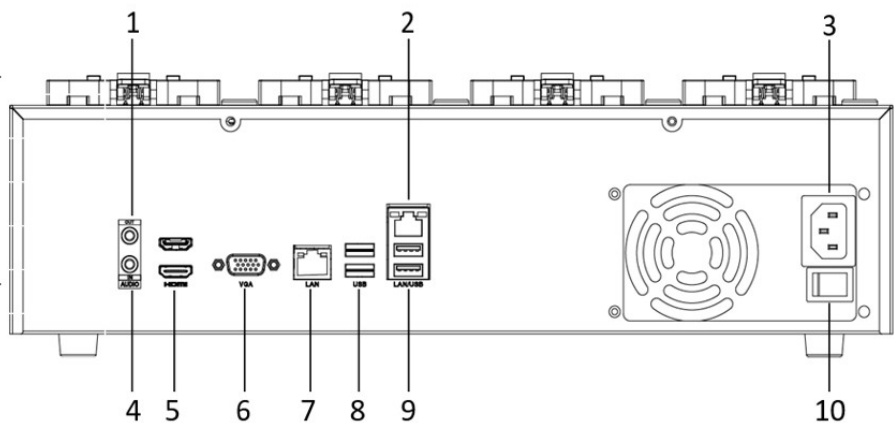
Hikvision Colombia
sales.colombia@hikvision.com

Dimension

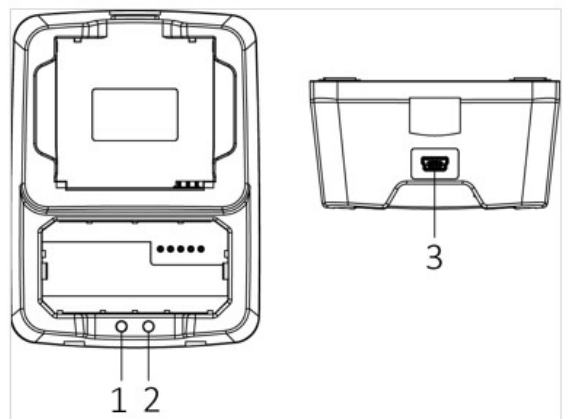
No.	Name	Description
1	Power button	When device is off, press it to start up device. When device is on, hold it for 3 seconds to shut down device.
2	Reset	Press it to reboot the device.
3	SATA	HDD indicator. Solid green: HDD is well connected.
4	Link	Flashing green: HDD is reading or writing. Network connection indicator. Solid green: Network connection is normal.
5	Rx/Tx	Network transmission indicator. Flashing green: Network transmission is normal.



No.	Name	Description
1	Audio output	Connector for audio output.
2	Network interface	10M/100M/1000M Ethernet interface.
3	Power supply	Connector for power supply.
4	Audio Input	Connector for audio input.
5	HDMI interface	HDMI video output interfaces.
6	VGA interface	VGA video output interface.
7	Network interface	10M/100M/1000M Ethernet interface.
8	USB interfaces	2 × USB 3.0 interface.
9	USB interface	2 × USB 2.0 interface.
10	Power switch	Power on/off device.



No.	Name	Description
1	Charge indicator	Solid red: Battery placed in cradle is being charged. Solid green: Battery placed in cradle is fully charged.
2	Power indicator	Solid green: Cradle power supply is connected.
3	Mini USB interface	Connect cradle with dock station. Charge cradle.



Hikvision India
T +91-22-28469900
sales@pramahikvision.com

Hikvision Canada
T +1-866-200-6690
sales.canada@hikvision.com

Hikvision Thailand
T +662-275-9949
sales.thailand@hikvision.com

Hikvision Brazil
T +55 11 3318-0050
Latam.support@hikvision.com

Hikvision Turkey
T +90 (216)521 7070- 7074
sales.tr@hikvision.com

Hikvision Malaysia
T +601-7652-2413
sales.my@hikvision.com

Hikvision France
T +33(0)1-85-330-450
info.fr@hikvision.com

Hikvision Kazakhstan
T +7-727-9730667
nikia.panfilov@hikvision.ru

Hikvision Vietnam
T +84-974270888
sales.vt@hikvision.com

Hikvision Spain
T +34-91-737-16-55
info.es@hikvision.com

Hikvision Tashkent
T +99-87-1238-9438
uzb@hikvision.ru

Hikvision Hong Kong
T +852-2151-1761
info.hk@hikvision.com

Hikvision Poland
T +48-22-460-01-50
info.pl@hikvision.com

Hikvision Indonesia
T +62-21-2933759
Sales.Indonesia@hikvision.com

Hikvision Colombia
sales.colombia@hikvision.com