



# Video Intercom Indoor Station

User Manual

## User Manual

©2018 Hangzhou Hikvision Digital Technology Co., Ltd.

This user manual is intended for users of the indoor station (DS-KH3200-L).

It includes instructions on how to use the Product. The software embodied in the Product is governed by the user license agreement covering that Product.

### **About this Manual**

This Manual is subject to domestic and international copyright protection. Hangzhou Hikvision Digital Technology Co., Ltd. (“Hikvision”) reserves all rights to this manual. This manual cannot be reproduced, changed, translated, or distributed, partially or wholly, by any means, without the prior written permission of Hikvision.

### **Trademarks**

**HIKVISION** and other Hikvision marks are the property of Hikvision and are registered trademarks or the subject of applications for the same by Hikvision and/or its affiliates. Other trademarks mentioned in this manual are the properties of their respective owners. No right of license is given to use such trademarks without express permission.

### **Disclaimer**

TO THE MAXIMUM EXTENT PERMITTED BY APPLICABLE LAW, HIKVISION MAKES NO WARRANTIES, EXPRESS OR IMPLIED, INCLUDING WITHOUT LIMITATION THE IMPLIED WARRANTIES OF MERCHANTABILITY AND FITNESS FOR A PARTICULAR PURPOSE, REGARDING THIS MANUAL. HIKVISION DOES NOT WARRANT, GUARANTEE, OR MAKE ANY REPRESENTATIONS REGARDING THE USE OF THE MANUAL, OR THE CORRECTNESS, ACCURACY, OR RELIABILITY OF INFORMATION CONTAINED HEREIN. YOUR USE OF THIS MANUAL AND ANY RELIANCE ON THIS MANUAL SHALL BE WHOLLY AT YOUR OWN RISK AND RESPONSIBILITY.

TO THE MAXIMUM EXTENT PERMITTED BY APPLICABLE LAW, IN NO EVENT WILL HIKVISION, ITS DIRECTORS, OFFICERS, EMPLOYEES, OR AGENTS BE LIABLE TO YOU FOR ANY SPECIAL, CONSEQUENTIAL, INCIDENTAL, OR INDIRECT DAMAGES, INCLUDING, AMONG OTHERS, DAMAGES FOR LOSS OF BUSINESS PROFITS, BUSINESS INTERRUPTION, SECURITY BREACHES, OR LOSS OF DATA OR DOCUMENTATION, IN CONNECTION WITH THE USE OF OR RELIANCE ON THIS MANUAL, EVEN IF HIKVISION HAS BEEN ADVISED OF THE POSSIBILITY OF SUCH DAMAGES.

SOME JURISDICTIONS DO NOT ALLOW THE EXCLUSION OR LIMITATION OF LIABILITY OR CERTAIN DAMAGES, SO SOME OR ALL OF THE ABOVE EXCLUSIONS OR LIMITATIONS MAY NOT APPLY TO YOU.

### **Support**

Should you have any questions, please do not hesitate to contact your local dealer.

## Regulatory Information

### FCC Information

Please take attention that changes or modification not expressly approved by the party responsible for compliance could void the user's authority to operate the equipment.

**FCC compliance:** This equipment has been tested and found to comply with the limits for a Class A digital device, pursuant to part 15 of the FCC Rules. These limits are designed to provide reasonable protection against harmful interference when the equipment is operated in a commercial environment. This equipment generates, uses, and can radiate radio frequency energy and, if not installed and used in accordance with the instruction manual, may cause harmful interference to radio communications. Operation of this equipment in a residential area is likely to cause harmful interference in which case the user will be required to correct the interference at his own expense.

### FCC Conditions

This device complies with part 15 of the FCC Rules. Operation is subject to the following two conditions:

1. This device may not cause harmful interference.
2. This device must accept any interference received, including interference that may cause undesired operation.

### EU Conformity Statement



This product and - if applicable - the supplied accessories too are marked with "CE" and comply therefore with the applicable harmonized European standards listed under the EMC Directive 2014/30/EU, the RoHS Directive 2011/65/EU.



2012/19/EU (WEEE directive): Products marked with this symbol cannot be disposed of as unsorted municipal waste in the European Union. For proper recycling, return this product to your local supplier upon the purchase of equivalent new equipment, or dispose of it at designated collection points. For more information see: [www.recyclethis.info](http://www.recyclethis.info)



2006/66/EC (battery directive): This product contains a battery that cannot be disposed of as unsorted municipal waste in the European Union. See the product documentation for specific battery information. The battery is marked with this symbol, which may include lettering to indicate cadmium (Cd), lead (Pb), or mercury (Hg). For proper recycling, return the battery to your supplier or to a designated collection point. For more information see: [www.recyclethis.info](http://www.recyclethis.info)



## Safety Instruction

These instructions are intended to ensure that user can use the product correctly to avoid danger or property loss.

The precaution measure is divided into **Warnings** and **Cautions**:

**Warnings:** Neglecting any of the warnings may cause serious injury or death.

**Cautions:** Neglecting any of the cautions may cause injury or equipment damage.

	
<b>Warnings</b> Follow these safeguards to prevent serious injury or death.	<b>Cautions</b> Follow these precautions to prevent potential injury or material damage.



### Warnings

- The working temperature of the device is from -10° C to 55° C.
- All the electronic operation should be strictly compliance with the electrical safety regulations, fire prevention regulations and other related regulations in your local region.
- Please use the power adapter, which is provided by normal company. The power consumption cannot be less than the required value.
- Do not connect several devices to one power adapter as adapter overload may cause over-heat or fire hazard.
- Please make sure that the power has been disconnected before you wire, install or dismantle the device.
- When the product is installed on wall or ceiling, the device shall be firmly fixed.
- If smoke, odors or noise rise from the device, turn off the power at once and unplug the power cable, and then please contact the service center.
- If the product does not work properly, please contact your dealer or the nearest service center. Never attempt to disassemble the device yourself. (We shall not assume any responsibility for problems caused by unauthorized repair or maintenance.)
- Indoor station is powered by video/audio distributor(DS-KAD308/DS-KAD312).



### Cautions

- Do not drop the device or subject it to physical shock, and do not expose it to high electromagnetism radiation. Avoid the equipment installation on vibrations surface or places subject to shock (ignorance can cause equipment damage).
- Do not place the device in extremely hot (refer to the specification of the device for the detailed operating temperature), cold, dusty or damp locations, and do not expose it to high electromagnetic radiation.

- The device cover for indoor use shall be kept from rain and moisture.
- Exposing the equipment to direct sun light, low ventilation or heat source such as heater or radiator is forbidden (ignorance can cause fire danger).
- Do not aim the device at the sun or extra bright places. A blooming or smear may occur otherwise (which is not a malfunction however), and affecting the endurance of sensor at the same time.
- Please use the provided glove when open up the device cover, avoid direct contact with the device cover, because the acidic sweat of the fingers may erode the surface coating of the device cover.
- Please use a soft and dry cloth when clean inside and outside surfaces of the device cover, do not use alkaline detergents.
- Please keep all wrappers after unpack them for future use. In case of any failure occurred, you need to return the device to the factory with the original wrapper. Transportation without the original wrapper may result in damage on the device and lead to additional costs.
- Improper use or replacement of the battery may result in hazard of explosion. Replace with the same or equivalent type only. Dispose of used batteries according to the instructions provided by the battery manufacturer.

# Table of Contents

<b>1 Overview</b> .....	<b>1</b>
1.1 Introduction .....	1
1.2 Main Features .....	1
1.3 Typical Application .....	2
<b>2 Appearance</b> .....	<b>3</b>
2.1 Front Panel .....	3
2.2 Rear Panel .....	4
<b>3 Terminals and Wiring</b> .....	<b>5</b>
3.1 Terminal Description .....	5
3.2 Wiring Description .....	5
<b>4 Installation</b> .....	<b>7</b>
4.1 Installation Accessory Description .....	7
4.2 Wall Mounting with Junction Box .....	7
<b>5 Local Operation</b> .....	<b>9</b>
<b>Appendix</b> .....	<b>11</b>
Installation Notice .....	11

# 1 Overview

---

## 1.1 Introduction

The indoor station supports video intercom, resident-to-resident video call and zone alarm, etc. It provides smart and convenient visiting calling and security service.

The video intercom indoor station is mainly applied to community.

## 1.2 Main Features

- Video intercom function: communicate with door station, master station, client or center
- Monitoring the door station
- TFT LCD that support power-saving mode
- Remote unlocking function
- Voice prompt
- Volume adjustment
- 4-ch zone alarm

### 1.3 Typical Application

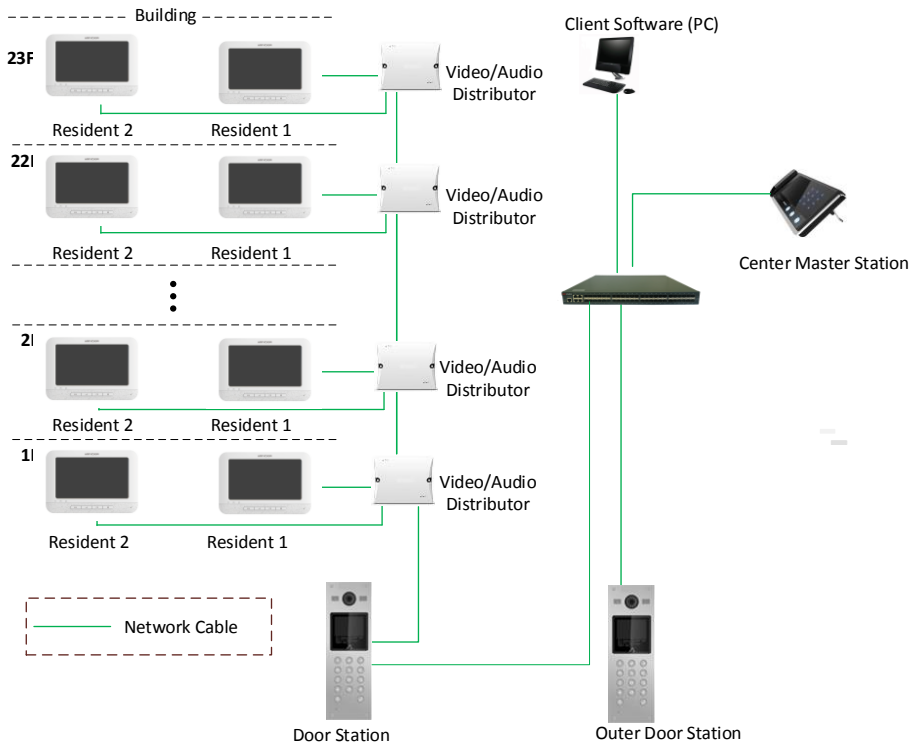


Figure 1-1 Typical Application of Indoor Station



- Configure the room number before build the system on the video/audio distributor. See the *Video/Audio Distributor User Manual* for detailed DIP rules.
- The indoor station, door station and video/audio distributor are connected via network cable transferring analog signal.
- The door station, outer door station and master station should all connect to the same LAN via network cable transferring digital signal.



## 2 Appearance

### 2.1 Front Panel

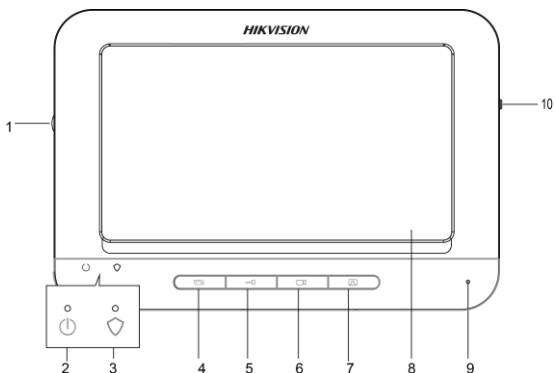


Figure 2-1 Front Panel

Table 2-1 Components Description

No.	Description
1	Volume Wheel
2	Power Supply Indicator
3	Alarm Indicator
4	Answer/Decline Key
5	Unlock Key
6	Live View Key
7	Management Center Key
8	LCD Display Screen
9	Microphone
10	Arm/Disarm Key



The Unlock key is valid only when does the indoor station speak with the door station or open the live view of the door station.

## 2.2 Rear Panel

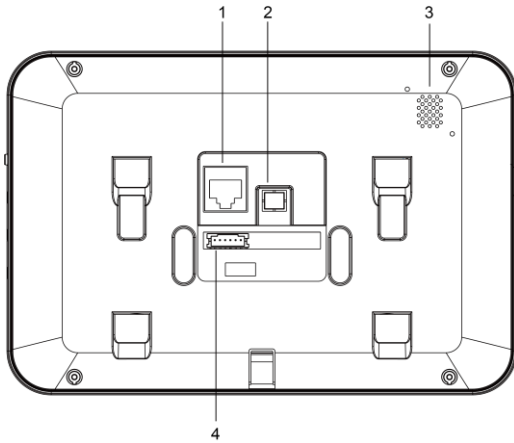


Figure 2-2 Rear Panel

Table 2-2 Components Description

No.	Description
1	Network Interface(24 VDC)
2	Reserved
3	Loudspeaker
4	Terminals

## 3 Terminals and Wiring

### 3.1 Terminal Description

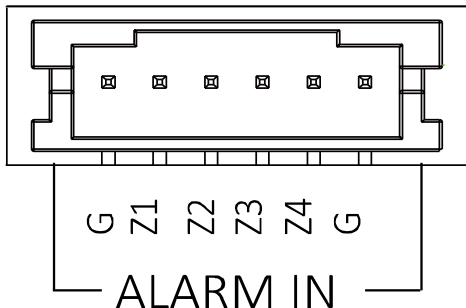


Figure 3-1 Terminals of DS-KH3200-L

Table 3-1 Descriptions of Terminals and Interfaces

No.	Description
G	Grounding
Z1	Zone Detector Input Terminal 1(Smoke Detector)
Z2	Zone Detector Input Terminal 2(Gas Detector)
Z3	Zone Detector Input Terminal 3(Door Magnetic)
Z4	Zone Detector Input Terminal 4(Active Infrared)
G	Grounding

### 3.2 Wiring Description

There are 6 pins in the terminal on the rear panel of the indoor station: 2 GND pins and 4 alarm input pins.

To access the alarm input device, refer to figure below.

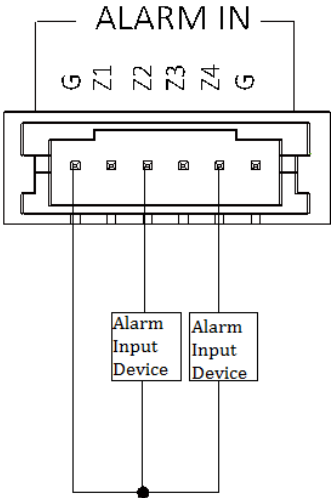


Figure 3-2 Wiring Description (Alarm Input Device)



The accessed detector should be normally closed.

## 4 Installation

### 4.1 Installation Accessory Description

The wall mounting plate and the junction box are required to install the indoor station onto the wall.

The dimension of junction box should be 75 mm (width) × 75 mm (length) × 50 mm (depth).

The dimension of wall mounting plate is shown in Figure 4-1.

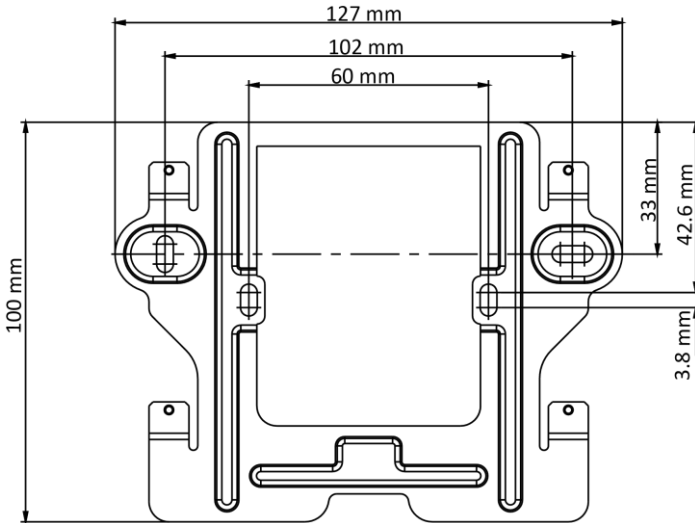


Figure 4-1 Wall Mounting Plate

### 4.2 Wall Mounting with Junction Box

**Before you start:**

- Make sure the device in the package is in good condition.
- The power supply the indoor station supports is 24 VDC. Please make sure your power supply matches your indoor station.
- Make sure all the related equipment is power-off during the installation.
- Check the product specification for the installation environment.

**Steps:**

1. Chisel a hole in the wall. The size of the hole should be 76 mm (width) × 76 mm (length) × 50 mm (depth).
2. Insert the junction box to the hole chiseled on the wall.
3. Fix the wall mounting plate to the junction box with 2 screws.

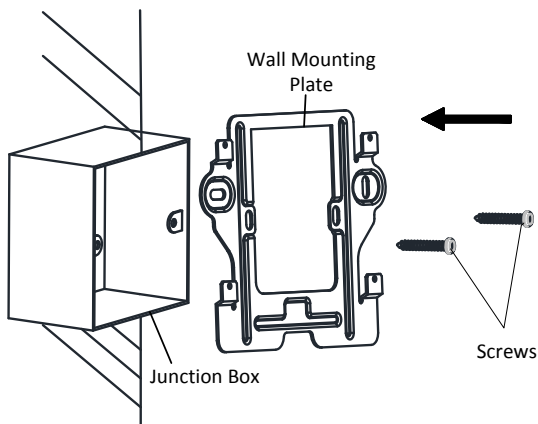


Figure 4-2 Installing the Plate

4. Hook the indoor station to the wall mounting plate tightly by inserting the plate hooks into the slots on the rear panel of the indoor station, during which the lock catch will be locked automatically.

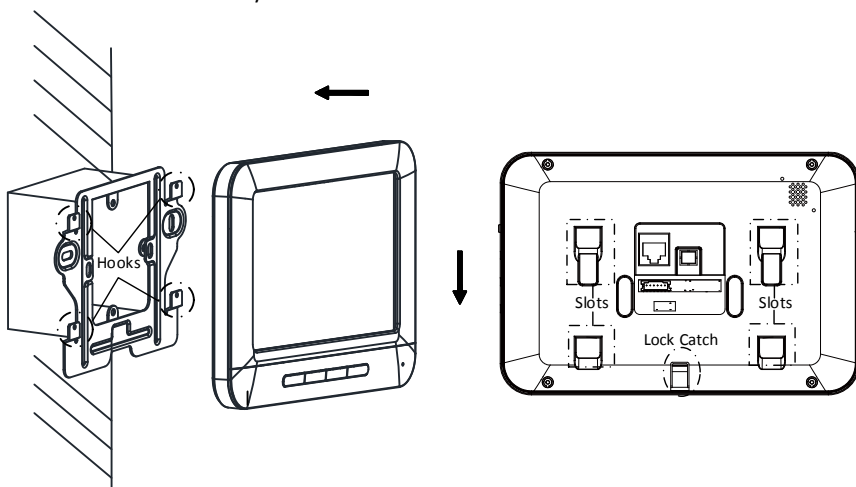




Figure 4-3 Hooking the Indoor Station to the Plate

## 5 Local Operation



### Answer/Decline Calls

Press  to accept the call and press  again to hang up the call.

### Unlock

Press  to unlock the door when communicating with the door station or outer door station.



### Monitor Door Station

Press  to monitor the door station, and press  again to exit.



Indoor station only supports monitor the main door station.

### Call Management Center


Press  to call the management center, and press  again to cancel.


### Arm/Disarm


4 zone types are selectable: Door Magnetic, Smoke Detector, Active Infrared, and Gas Detector.

Smoke detector zone and gas detector zone are set as 24h Alarm. The zone will be armed for 24h.

Door magnetic zone and active infrared zone are set as instant Alarm. The zone need to be set manually.

Press the button (  ) on the right side to enter arming mode, and press the button again to disarm.

In arming mode, when the alarm is triggered, the alarm indicator (  ) flashes, the buzzer keeps buzzing. The indoor station uploads alarm message to the management center.


In disarming mode, when the alarm is triggered, the alarm indicator (  ) doesn't flash. The indoor station doesn't upload alarm message to the management center.



- The alarm indicator keeps on in arming mode, and keeps off in disarming mode.
- Press random key to cancel the alarm when alarm is triggered.

### **Adjust Volume**

Roll the volume wheel (  ) upwards to turn up the volume;

Roll the volume wheel (  ) downwards to turn down the volume.



# Appendix

---

## Installation Notice

While installing the indoor station, please make sure that the distance between any two devices is far as possible to avoid the howling and echo. The distance between two devices is recommended to be more than 10 meters.



Here the devices refer to indoor station, door station.



UD09858B