



Bullet Camera

Quick Start Guide

© 2020 Hangzhou Hikvision Digital Technology Co., Ltd. All rights reserved.

This Manual is the property of Hangzhou Hikvision Digital Technology Co., Ltd. or its affiliates (hereinafter referred to as “Hikvision”), and it cannot be reproduced, changed, translated, or distributed, partially or wholly, by any means, without the prior written permission of Hikvision. Unless otherwise expressly stated herein, Hikvision does not make any warranties, guarantees or representations, express or implied, regarding to the Manual, any information contained herein.

About this Manual

The Manual includes instructions for using and managing the Product. Pictures, charts, images and all other information hereinafter are for description and explanation only. The information contained in the Manual is subject to change, without notice, due to firmware updates or other reasons. Please find the latest version of this Manual at the Hikvision website (<https://www.hikvision.com/en/>).

Please use this Manual with the guidance and assistance of professionals trained in supporting the Product.

Trademarks Acknowledgement

- **HIKVISION** and other Hikvision’s trademarks and logos are the properties of Hikvision in various jurisdictions.
- Other trademarks and logos mentioned are the properties of their respective owners.

LEGAL DISCLAIMER

- TO THE MAXIMUM EXTENT PERMITTED BY APPLICABLE LAW, THIS MANUAL AND THE PRODUCT DESCRIBED, WITH ITS HARDWARE, SOFTWARE AND FIRMWARE, ARE PROVIDED “AS IS” AND “WITH ALL FAULTS AND ERRORS”. HIKVISION MAKES NO WARRANTIES, EXPRESS OR IMPLIED, INCLUDING WITHOUT LIMITATION, MERCHANTABILITY, SATISFACTORY QUALITY, OR FITNESS FOR A PARTICULAR PURPOSE. THE USE OF THE PRODUCT BY YOU IS AT YOUR OWN RISK. IN NO EVENT WILL HIKVISION BE LIABLE TO YOU FOR ANY SPECIAL, CONSEQUENTIAL, INCIDENTAL, OR INDIRECT DAMAGES, INCLUDING, AMONG OTHERS, DAMAGES FOR LOSS OF BUSINESS PROFITS, BUSINESS INTERRUPTION, OR LOSS OF DATA, CORRUPTION OF SYSTEMS, OR LOSS OF DOCUMENTATION, WHETHER BASED ON BREACH OF CONTRACT, TORT (INCLUDING NEGLIGENCE), PRODUCT LIABILITY, OR OTHERWISE, IN CONNECTION WITH THE USE OF THE PRODUCT, EVEN IF HIKVISION HAS BEEN ADVISED OF THE POSSIBILITY OF SUCH DAMAGES OR LOSS.
- YOU ACKNOWLEDGE THAT THE NATURE OF INTERNET PROVIDES FOR INHERENT SECURITY RISKS, AND HIKVISION SHALL NOT TAKE ANY RESPONSIBILITIES FOR ABNORMAL OPERATION, PRIVACY LEAKAGE OR OTHER DAMAGES RESULTING FROM CYBER-ATTACK, HACKER ATTACK, VIRUS INSPECTION, OR OTHER INTERNET SECURITY RISKS; HOWEVER, HIKVISION WILL PROVIDE TIMELY TECHNICAL SUPPORT IF REQUIRED.
- YOU AGREE TO USE THIS PRODUCT IN COMPLIANCE WITH ALL APPLICABLE LAWS, AND YOU ARE SOLELY RESPONSIBLE FOR ENSURING THAT YOUR USE CONFORMS TO THE APPLICABLE LAW. ESPECIALLY, YOU ARE RESPONSIBLE, FOR USING THIS PRODUCT IN A MANNER THAT DOES NOT INFRINGE ON THE RIGHTS OF THIRD PARTIES, INCLUDING WITHOUT LIMITATION, RIGHTS OF PUBLICITY, INTELLECTUAL PROPERTY RIGHTS, OR DATA PROTECTION AND OTHER PRIVACY RIGHTS. YOU SHALL NOT USE THIS PRODUCT FOR ANY PROHIBITED END-USES, INCLUDING THE DEVELOPMENT OR PRODUCTION OF WEAPONS OF MASS DESTRUCTION, THE DEVELOPMENT OR PRODUCTION OF CHEMICAL OR BIOLOGICAL WEAPONS, ANY ACTIVITIES IN THE CONTEXT RELATED TO ANY NUCLEAR EXPLOSIVE OR UNSAFE NUCLEAR FUEL-CYCLE, OR IN SUPPORT OF HUMAN RIGHTS ABUSES.
- IN THE EVENT OF ANY CONFLICTS BETWEEN THIS MANUAL AND THE APPLICABLE LAW, THE LATER PREVAILS.

Regulatory Information

FCC Information

Please take attention that changes or modification not expressly approved by the party responsible for compliance could void the user's authority to operate the equipment.


FCC compliance: This equipment has been tested and found to comply with the limits for a Class A digital device, pursuant to part 15 of the FCC Rules. These limits are designed to provide reasonable protection against harmful interference when the equipment is operated in a commercial environment. This equipment generates, uses, and can radiate radio frequency energy and, if not installed and used in accordance with the instruction manual, may cause harmful interference to radio communications. Operation of this equipment in a residential area is likely to cause harmful interference in which case the user will be required to correct the interference at his own expense.


FCC Conditions


This device complies with part 15 of the FCC Rules. Operation is subject to the following two conditions:

1. This device may not cause harmful interference.
2. This device must accept any interference received, including interference that may cause undesired operation.

EU Conformity Statement

 This product and - if applicable - the supplied accessories too are marked with "CE" and comply therefore with the applicable harmonized European standards listed under the EMC Directive 2014/30/EU, the LVD Directive 2014/35/EU, the RoHS Directive 2011/65/EU.

 2012/19/EU (WEEE directive): Products marked with this symbol cannot be disposed of as unsorted municipal waste in the European Union. For proper recycling, return this product to your local supplier upon the purchase of equivalent new equipment, or dispose of it at designated collection points. For more information see: www.recyclethis.info




 2006/66/EC (battery directive): This product contains a battery that cannot be disposed of as unsorted municipal waste in the European Union. See the product documentation for specific battery information. The battery is marked with this symbol, which may include lettering to indicate cadmium (Cd), lead (Pb), or mercury (Hg). For proper recycling, return the battery to your supplier or to a designated collection point. For more information see: www.recyclethis.info

Industry Canada ICES-003 Compliance

This device meets the CAN ICES-3 (A)/NMB-3(A) standards requirements.

Symbol Conventions

The symbols that may be found in this document are defined as follows.

Symbol	Description
 NOTE	Provides additional information to emphasize or supplement important points of the main text.
 WARNING	Indicates a potentially hazardous situation, which if not avoided, could result in equipment damage, data loss, performance degradation, or unexpected results.
 DANGER	Indicates a hazard with a high level of risk, which if not avoided, will result in death or serious injury.

Safety Instructions

Laws and Regulations	Use of the product must be in strict compliance with the local laws and regulations. Please shut down the device in prohibited area.
Power Supply	<ul style="list-style-type: none"> ● Use of the product must be in strict compliance with the local electrical safety regulations. ● Use the power adapter provided by qualified manufacturer. Refer to the product specification for detailed power requirements. ● It is recommended to provide independent power adapter for each device as adapter overload may cause over-heating or a fire hazard. ● Make sure that the power has been disconnected before you wire, install, or disassemble the device. ● DO NOT directly touch exposed contacts and components once the device is powered up to avoid electric shock. ● DO NOT use damaged power supply devices (e.g., cable, power adapter, etc.) to avoid electric shock, fire hazard, and explosion. ● DO NOT directly cut the power supply to shut down the device. Please shut down the device normally and then unplug the power cord to avoid data loss. ● DO NOT block the power supply equipment to plug and unplug conveniently. ● Make sure the power supply has been disconnected if the power adapter is idle. ● Make sure the device is connected to the ground firmly.

<p>Transportation, Use, and Storage</p>	<ul style="list-style-type: none"> ● To avoid heat accumulation, good ventilation is required for a proper operating environment. ● Store the device in dry, well-ventilated, corrosive-gas-free, no direct sunlight, and no heating source environment. ● Avoid fire, water, and explosive environment when using the device. ● Avoid lightning strike for device installation. Install a lightning arrester if necessary. ● Keep the device away from magnetic interference. ● Avoid device installation on vibratory surface or places, and avoid equipment installation on vibratory surface or places subject to shock (ignorance may cause device damage). ● DO NOT touch the heat dissipation component to avoid burns. ● DO NOT expose the device to extremely hot, cold, or humidity environments. For temperature and humidity requirements, see device specification.
<p>Maintenance</p>	<ul style="list-style-type: none"> ● If smoke, odor, or noise arises from the device, immediately turn off the power, unplug the power cable, and contact the service center. ● If the device is abnormal, contact the store you purchased it or the nearest service center. DO NOT disassemble or modify the device in any way (For the problems caused by unauthorized modification or maintenance, the company shall not take any responsibility). ● Keep all wrappers after unpacking them for future use. In case of any failure occurred, you need to return the device to the factory with the original wrapper. Transportation without the original wrapper may result in damage to the device and the company shall not take any responsibility.
<p>Network</p>	<ul style="list-style-type: none"> ● Please enforce the protection for the personal information and the data security as the device may be confronted with the network security problems when it is connected to the Internet. Please contact us when the device might exist network security risks. ● Please understand that you have the responsibility to configure all the passwords and other security settings about the device, and keep your user name and password.
<p>Data</p>	<p>DO NOT disconnect the power during formatting, uploading, and downloading. Or files may be damaged.</p>

TABLE OF CONTENTS

Chapter 1 Installation	6
1.1 Overview	6
1.2 Key Feature.....	6
1.3 System Requirement.....	6
Chapter 2 Installation	7
2.1 Device Cable	7
2.2 Install TF Card	7
2.3 Install Camera	9
2.3.1 Ceiling Mounting.....	9
2.3.2 Horizontal Pole Mounting	10
2.3.3 Vertical Pole Mounting.....	11
Chapter 3 Network Connection	13
3.1 Wire over the LAN	13
3.2 Activate the Camera	14
3.2.1 Activation via Web Browser	14
3.2.2 Activate via SADP Software	15
Chapter 4 Login.....	18

Chapter 1 Installation

1.1 Overview

Bullet camera supports vehicle capture, license plate recognition, vehicle type recognition, vehicle color recognition, and multi-feature extraction of non-motor vehicles and pedestrians. It adopts deep-learning algorithm, to improve the accuracy of target behavior detection and feature recognition. It has high-performance hardware processing platform and embedded operating system with high scheduling efficiency, small size, and high stability and reliability. It can adapt to different monitoring environments with high compression ratio, flexible processing, automatic white balance, automatic electronic shutter, automatic aperture, and strong light suppression.

It is widely used in urban road monitoring to achieve the full target feature recognition and capture of mixed lane scenes.

1.2 Key Feature

- CMOS smart HD camera.
- Supports H.265 or H.264 encoding.
- Supports full HD real-time images with ultra-low latency and ultra-low bit rate.
- Supports local storage of TF card and continuous uploading of snapped pictures.
- Supports 3D digital noise reduction (DNR).
- Dust-proof, drip-proof, and anti-surge.



NOTE

Functions may vary from different models. Please refer to actual products.

1.3 System Requirement

- Operating System: Win 7 and above versions.
- CPU: 1.0 GHz or higher.
- RAM: 1 G or higher.
- Display: 1024 × 768 resolution or higher.
- Web Browser: Internet Explorer 8.0 and above versions.

Chapter 2 Installation

2.1 Device Cable

Device cables are as follows.

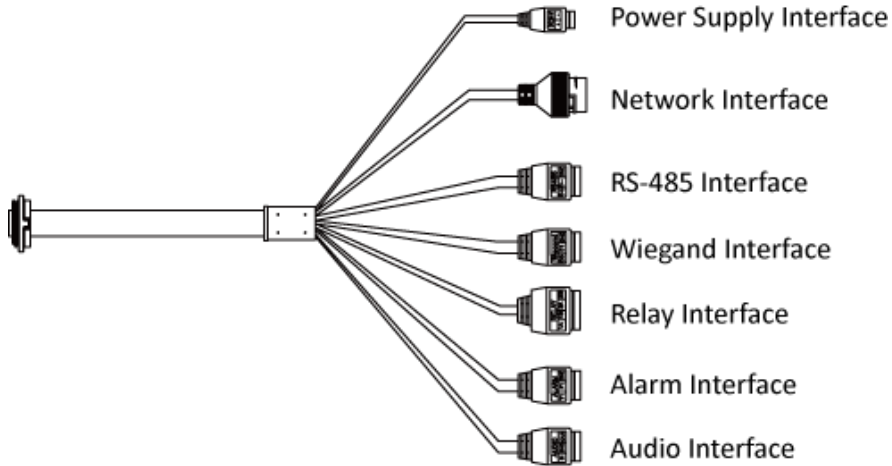


Figure 2-1 Device Cable

2.2 Install TF Card

Step 1 Open TF card cavity.

- 1) Loosen the 4 screws shown in the figure, and pull down the TF card cover in the direction of the arrow shown in the figure.

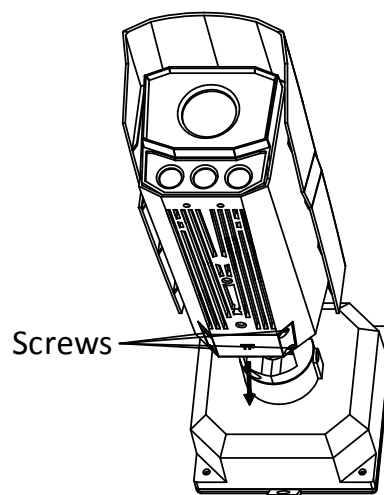


Figure 2-2 Pull Down TF Card Cover

- 2) Rotate the TF card cover around the screws.

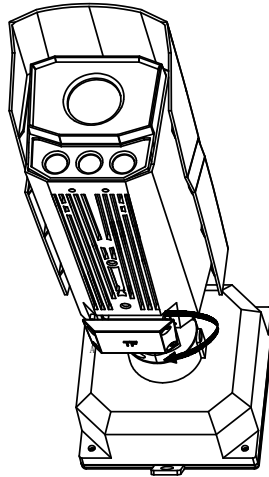


Figure 2-3 Rotate TF Card Cover

Step 2 Insert the TF card.

Step 3 Put the TF card cover back.

- 1) Rotate the TF card cover around the screws.

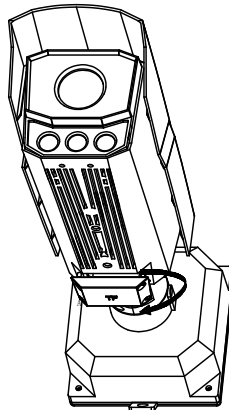


Figure 2-4 Rotate TF Card Cover

- 2) Press the TF card cover back in the direction of the arrow shown in the figure.

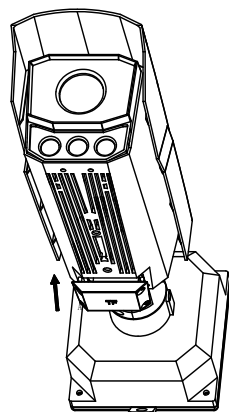


Figure 2-5 Press TF Card Cover Back

3) Tighten the screws to complete the installation.

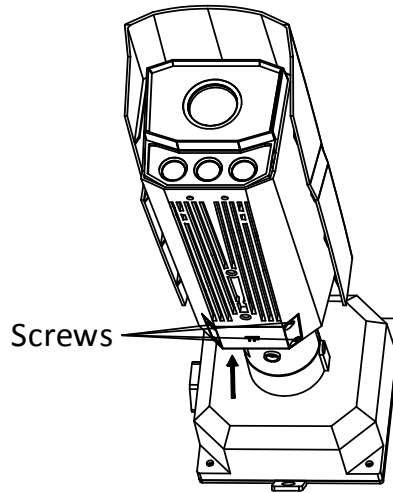


Figure 2-6 Tighten Screws

2.3 Install Camera

The camera supports multiple installation methods. This manual uses ceiling mounting, horizontal pole mounting, and vertical pole mounting as examples.

2.3.1 Ceiling Mounting

Step 1 Attach the mounting sticker on a suitable wall and make holes according to sticker size.

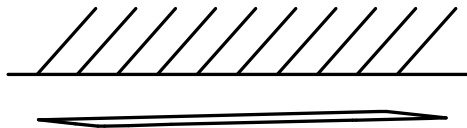


Figure 2-7 Attach Mounting Sticker

Step 2 Attach the back panel foam to back cover of the bullet camera.

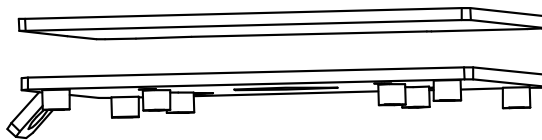


Figure 2-8 Attach Back Panel Foam

Step 3 Thread the cables, install the back cover on the surface of wall, and install the screw head pressure plate on the back cover.

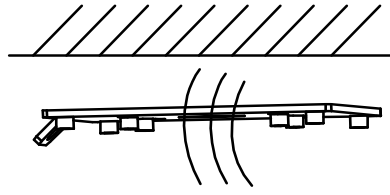


Figure 2-9 Thread Cables

Step 4 Install the camera and tighten the screws to complete the installation.

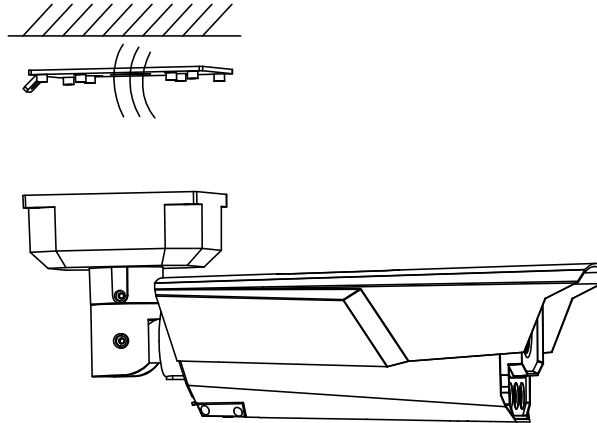


Figure 2-10 Tighten Screws

2.3.2 Horizontal Pole Mounting

Step 1 Install the hoop.

- 1) Unscrew the hoop screws and open the hoop.
- 2) Pull the hoop ring, shrink the hoop to the thickness of the horizontal pole.
- 3) Install the hoop bracket on the horizontal pole.

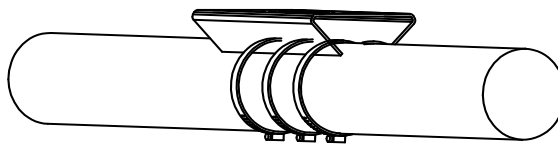


Figure 2-11 Install Hoop

Step 2 Align the screw holes at the bottom of the two joints under the cardan joint with the hoop, screw in and tighten the screws, and install the cardan joint on the hoop.

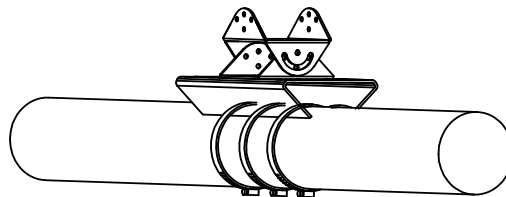


Figure 2-12 Install Cardan Joint

Step 3 Align the upper section of the cardan joint with the hole in the camera, screw in and tighten the screws, and install the camera on the cardan joint.

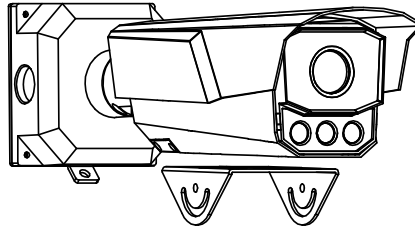


Figure 2-13 Install the Camera

Step 4 Align the holes on the upper and lower parts of the cardan joint, screw in and tighten the screws, and fix the two parts together.

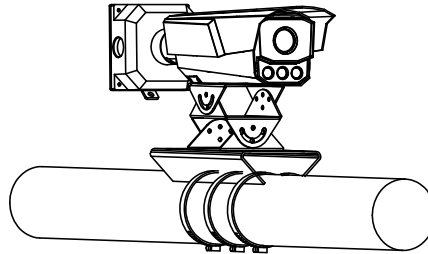


Figure 2-14 Connect Two Parts of Cardan joint

Step 5 Remove the back cover of the camera, thread the pre-threaded cables into the cable box, and thread the cables.

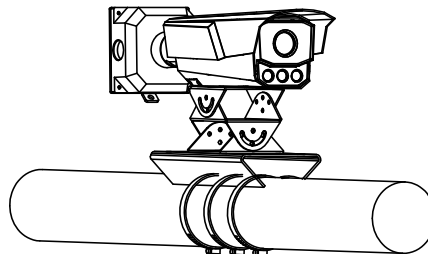


Figure 2-15 Thread Cables

Step 6 Reinstall the back cover of the camera.

2.3.3 Vertical Pole Mounting

Step 1 Install the hoop.

- 1) Unscrew the hoop screws and open the hoop.
- 2) Pull the hoop ring, shrink the hoop to the thickness of the vertical pole.
- 3) Install the hoop bracket on the vertical pole.

Step 2 Install the back cover.

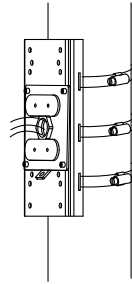


Figure 2-16 Install the Rear Cover

- 1) Thread the pre-routed cables.
- 2) Install the back cover on the hoop bracket through screws.
- 3) Install and fix the screw head pressure plate on the back cover through screws.

Step 3 Thread cables through the camera.

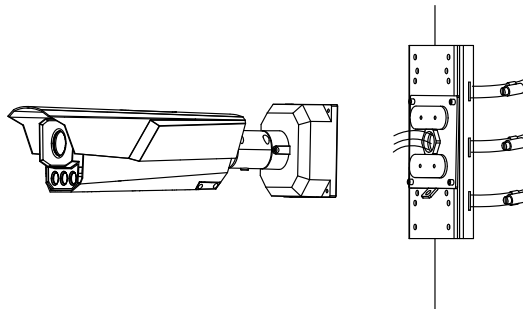


Figure 2-17 Install Back Cover

Step 4 Install the camera and tighten the screws.

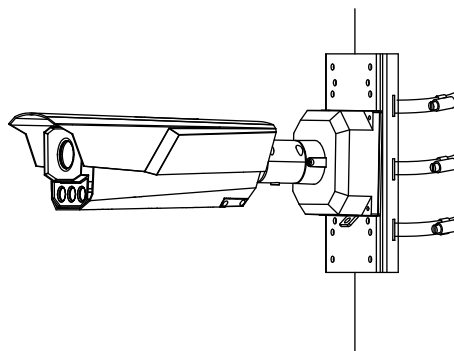


Figure 2-18 Tighten Screws

Chapter 3 Network Connection

NOTE

- You shall acknowledge that the use of the product with Internet access might be under network security risks. For avoidance of any network attacks and information leakage, please strengthen your own protection. If the product does not work properly, please contact with your dealer or the nearest service center.
- To ensure the network security of the camera, we recommend you to have the camera assessed and maintained termly. You can contact us if you need such service.

Before you start:

To view and configure the camera via a LAN, you need to connect the camera in the same subnet with your computer, and install the SADP to search and change the IP address of the camera.

3.1 Wire over the LAN

The following figures show the two ways of cable connection of a camera and a computer.

- Directly connect the camera to the computer with a network cable.
- Set camera over the LAN via a switch or a router.

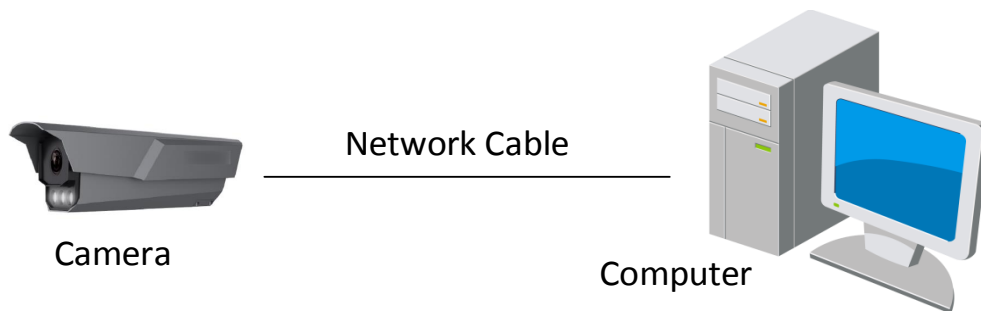


Figure 3-1 Direct Connection

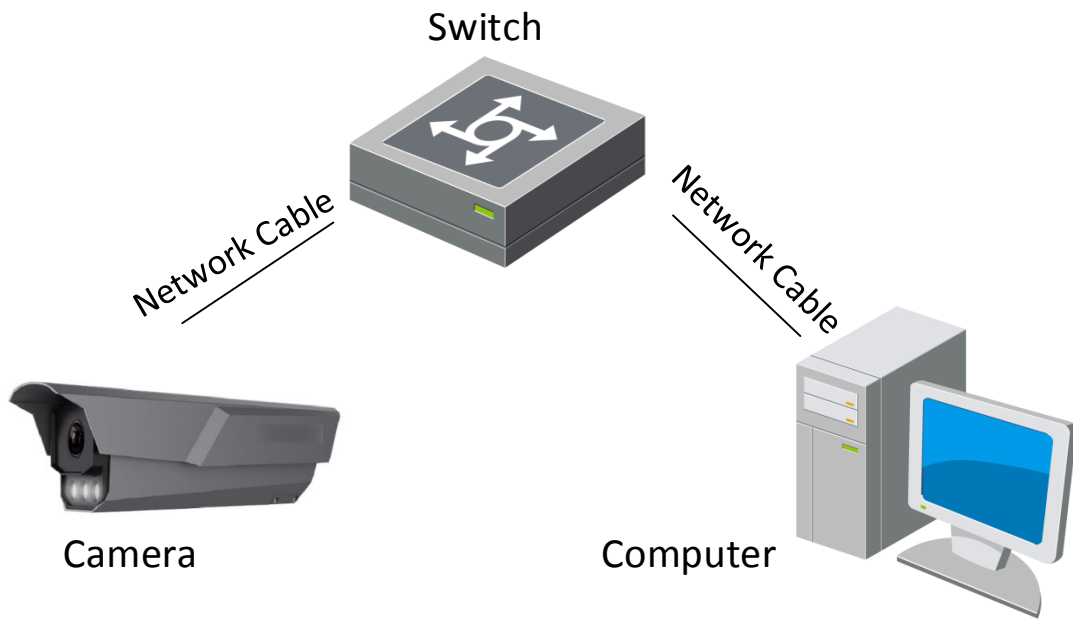


Figure 3-2 Connection via a Switch or a Router

3.2 Activate the Camera

You are required to activate the camera first by setting a strong password for it before you can use it. Multiple activation methods are supported. Here we take example of activation via web browser and SADP.

NOTE

Refer to the user manual of client software for the activation via client software.

3.2.1 Activation via Web Browser

Step 1 Power on the camera, and connect the camera to the network.

Step 2 Input the IP address into the address bar of the web browser, and press Enter to enter the activation interface.

Activate

User Name admin

Password

Valid password range [8-16]. You can use a combination of numbers, lowercase, uppercase and special character for your password with at least two kinds of them contained.

Confirm Password

OK

Figure 3-3 Activation Interface (Web)

Step 3 Create a password.



WARNING

STRONG PASSWORD RECOMMENDED— We highly recommend you create a strong password of your own choosing (using a minimum of 8 characters, including upper case letters, lower case letters, numbers, and special characters) in order to increase the security of your product. And we recommend you reset your password regularly, especially in the high security system, resetting the password monthly or weekly can better protect your product.

Step 4 Confirm the password.

Step 5 Click **OK** to save the password and enter the live view interface.

3.2.2 Activate via SADP Software

SADP software is used for detecting the online device, activating the camera, and resetting the password.



NOTE

Get the SADP software from the official website, and install the SADP according to the prompts.

Step 1 Run the SADP software to search the online devices.

Step 2 Check the device status from the device list, and select the inactive device.

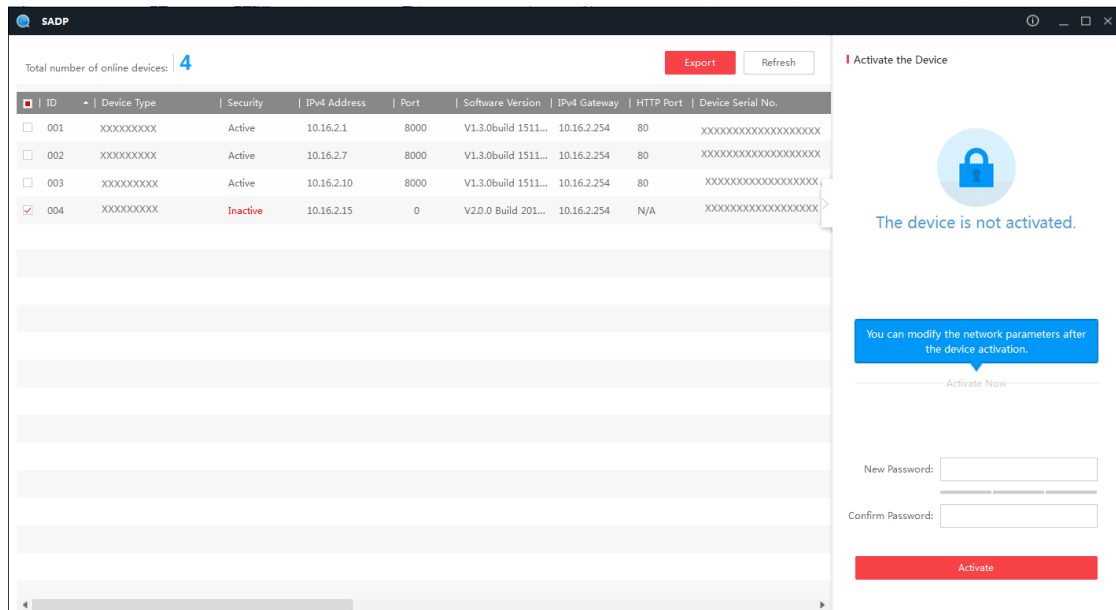


Figure 3-4 SADP Interface

Step 3 Create a password, and confirm it.

Step 4 Click **Activate** to activate the device.

 **WARNING**

STRONG PASSWORD RECOMMENDED– We highly recommend you create a strong password of your own choosing (using a minimum of 8 characters, including upper case letters, lower case letters, numbers, and special characters) in order to increase the security of your product. And we recommend you reset your password regularly, especially in the high security system, resetting the password monthly or weekly can better protect your product.

Step 5 Change the device IP address to the same subnet with your computer by either modifying the IP address manually or checking **Enable DHCP**.

Modify Network Parameters

Enable DHCP

Device Serial No.:

IP Address:

Port:

Subnet Mask:

Gateway:

IPv6 Address:

IPv6 Gateway:

IPv6 Prefix Length:

HTTP Port:

Security Verification

Admin Password:

[Forgot Password](#)

Figure 3-5 Modify Network Parameters

Step 6 Input the password and click **Modify** to activate your IP address modification.

Chapter 4 Login

You can log in to the camera via web browser.

Step 1 Open the web browser.

Step 2 In the browser address bar, input the IP address of the camera, and press the **Enter** key to enter the login interface.

Step 3 Input **User Name** and **Password**.

Step 4 Click **Login**.

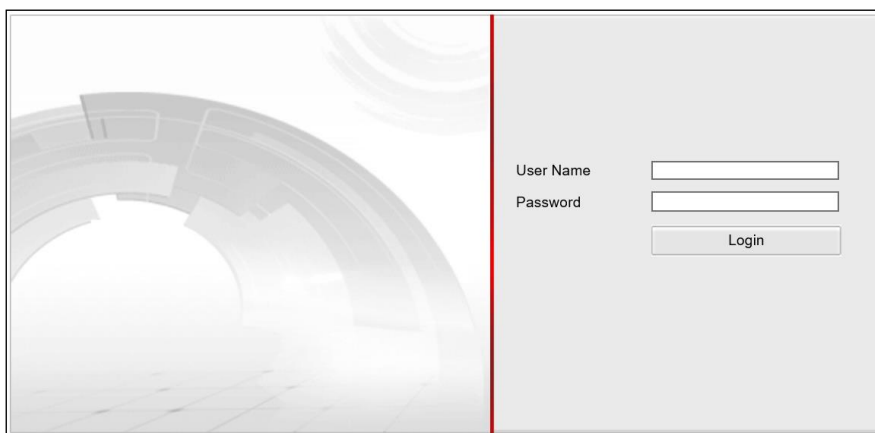
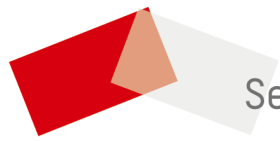


Figure 4-1 Login

Step 5 Install the plug-in before viewing the live video and operating the camera. Follow the installation prompts to install the plug-in.

 **NOTE**

You may have to close the web browser to install the plug-in. Please reopen the web browser and log in again after installing the plug-in.



See Far, Go Further