



Smart Onboard Temperature Screening Terminal
Installation Guide

© 2020 Hangzhou Hikvision Digital Technology Co., Ltd. All rights reserved.

This Manual is the property of Hangzhou Hikvision Digital Technology Co., Ltd. or its affiliates (hereinafter referred to as "Hikvision"), and it cannot be reproduced, changed, translated, or distributed, partially or wholly, by any means, without the prior written permission of Hikvision. Unless otherwise expressly stated herein, Hikvision does not make any warranties, guarantees or representations, express or implied, regarding to the Manual, any information contained herein.

About this Manual

The Manual includes instructions for using and managing the Product. Pictures, charts, images and all other information hereinafter are for description and explanation only. The information contained in the Manual is subject to change, without notice, due to firmware updates or other reasons. Please find the latest version of this Manual at the Hikvision website (<https://www.hikvision.com/>).

Please use this Manual with the guidance and assistance of professionals trained in supporting the Product.

Trademarks Acknowledgement

- **HIKVISION** and other Hikvision's trademarks and logos are the properties of Hikvision in various jurisdictions.
- Other trademarks and logos mentioned are the properties of their respective owners.

LEGAL DISCLAIMER

TO THE MAXIMUM EXTENT PERMITTED BY APPLICABLE LAW, THIS MANUAL AND THE PRODUCT DESCRIBED, WITH ITS HARDWARE, SOFTWARE AND FIRMWARE, ARE PROVIDED "AS IS" AND "WITH ALL FAULTS AND ERRORS". HIKVISION MAKES NO WARRANTIES, EXPRESS OR IMPLIED, INCLUDING WITHOUT LIMITATION, MERCHANTABILITY, SATISFACTORY QUALITY, OR FITNESS FOR A PARTICULAR PURPOSE. THE USE OF THE PRODUCT BY YOU IS AT YOUR OWN RISK. IN NO EVENT WILL HIKVISION BE LIABLE TO YOU FOR ANY SPECIAL, CONSEQUENTIAL, INCIDENTAL, OR INDIRECT DAMAGES, INCLUDING, AMONG OTHERS, DAMAGES FOR LOSS OF BUSINESS PROFITS, BUSINESS INTERRUPTION, OR LOSS OF DATA, CORRUPTION OF SYSTEMS, OR LOSS OF DOCUMENTATION, WHETHER BASED ON BREACH OF CONTRACT, TORT (INCLUDING NEGLIGENCE), PRODUCT LIABILITY, OR OTHERWISE, IN CONNECTION WITH THE USE OF THE PRODUCT, EVEN IF HIKVISION HAS BEEN ADVISED OF THE POSSIBILITY OF SUCH DAMAGES OR LOSS.

YOU ACKNOWLEDGE THAT THE NATURE OF INTERNET PROVIDES FOR INHERENT SECURITY RISKS, AND HIKVISION SHALL NOT TAKE ANY RESPONSIBILITIES FOR ABNORMAL OPERATION, PRIVACY LEAKAGE OR OTHER DAMAGES RESULTING FROM CYBER-ATTACK, HACKER ATTACK, VIRUS INSPECTION, OR OTHER INTERNET SECURITY RISKS; HOWEVER, HIKVISION WILL PROVIDE TIMELY TECHNICAL SUPPORT IF REQUIRED.

YOU AGREE TO USE THIS PRODUCT IN COMPLIANCE WITH ALL APPLICABLE LAWS, AND YOU ARE SOLELY RESPONSIBLE FOR ENSURING THAT YOUR USE CONFORMS TO THE APPLICABLE LAW. ESPECIALLY, YOU ARE RESPONSIBLE, FOR USING THIS PRODUCT IN A MANNER THAT DOES NOT INFRINGE ON THE RIGHTS OF THIRD PARTIES, INCLUDING WITHOUT LIMITATION, RIGHTS OF PUBLICITY, INTELLECTUAL PROPERTY RIGHTS, OR DATA PROTECTION AND OTHER PRIVACY RIGHTS. YOU SHALL NOT USE THIS PRODUCT FOR ANY PROHIBITED END-USES, INCLUDING THE DEVELOPMENT OR PRODUCTION OF WEAPONS OF MASS DESTRUCTION, THE DEVELOPMENT OR PRODUCTION OF CHEMICAL OR BIOLOGICAL WEAPONS, ANY ACTIVITIES IN THE CONTEXT RELATED

TO ANY NUCLEAR EXPLOSIVE OR UNSAFE NUCLEAR FUEL-CYCLE, OR IN SUPPORT OF HUMAN RIGHTS ABUSES.

IN THE EVENT OF ANY CONFLICTS BETWEEN THIS MANUAL AND THE APPLICABLE LAW, THE LATER PREVAILS.

Regulatory Information

FCC Information

Please take attention that changes or modification not expressly approved by the party responsible for compliance could void the user's authority to operate the equipment.


FCC compliance: This equipment has been tested and found to comply with the limits for a Class A digital device, pursuant to part 15 of the FCC Rules. These limits are designed to provide reasonable protection against harmful interference when the equipment is operated in a commercial environment. This equipment generates, uses, and can radiate radio frequency energy and, if not installed and used in accordance with the instruction manual, may cause harmful interference to radio communications. Operation of this equipment in a residential area is likely to cause harmful interference in which case the user will be required to correct the interference at his own expense.


FCC Conditions


This device complies with part 15 of the FCC Rules. Operation is subject to the following two conditions:

1. This device may not cause harmful interference.
2. This device must accept any interference received, including interference that may cause undesired operation.

EU Conformity Statement

 This product and - if applicable - the supplied accessories too are marked with "CE" and comply therefore with the applicable harmonized European standards listed under the EMC Directive 2014/30/EU, the LVD Directive 2014/35/EU, the RoHS Directive 2011/65/EU.

 2012/19/EU (WEEE directive): Products marked with this symbol cannot be disposed of as unsorted municipal waste in the European Union. For proper recycling, return this product to your local supplier upon the purchase of equivalent new equipment, or dispose of it at designated collection points. For more information see: www.recyclethis.info




 2006/66/EC (battery directive): This product contains a battery that cannot be disposed of as unsorted municipal waste in the European Union. See the product documentation for specific battery information. The battery is marked with this symbol, which may include lettering to indicate cadmium (Cd), lead (Pb), or mercury (Hg). For proper recycling, return the battery to your supplier or to a designated collection point. For more information see: www.recyclethis.info

Industry Canada ICES-003 Compliance

This device meets the CAN ICES-3 (A)/NMB-3(A) standards requirements.

Symbol Conventions

The symbols that may be found in this document are defined as follows.

Symbol	Description
 NOTE	Provides additional information to emphasize or supplement important points of the main text.
 WARNING	Indicates a potentially hazardous situation, which if not avoided, could result in equipment damage, data loss, performance degradation, or unexpected results.
 DANGER	Indicates a hazard with a high level of risk, which if not avoided, will result in death or serious injury.

Safety Instructions

Regulatory Information

This is a class A product and may cause radio interference in which case the user may be required to take adequate measures.

Laws and Regulations

Use of the product must be in strict compliance with the local laws and regulations. Please shut down the device in prohibited area.

Power Supply

- Use of the product must be in strict compliance with the local electrical safety regulations.
- Use the power adapter provided by qualified manufacturer. Refer to the product specification for detailed power requirements.
- It is recommended to provide independent power adapter for each device as adapter overload may cause over-heating or a fire hazard.
- Make sure that the power has been disconnected before you wire, install, or disassemble the device in the authorized way according to the description in the manual.
- To avoid electric shock, DO NOT directly touch exposed contacts and components once the device is powered up.
- DO NOT use damaged power supply devices (e.g., cable, power adapter, etc.) to avoid electric shock, fire hazard, and explosion.
- DO NOT directly cut the power supply to shut down the device. Please shut down the device normally and then unplug the power cord to avoid data loss.
- The socket-outlet shall be installed near the equipment and shall be easily accessible.
- Make sure the power supply has been disconnected if the power adapter is idle.
- Connect to earth before connecting to the power supply.

Transportation, Use, and Storage

- To avoid heat accumulation, good ventilation is required for a proper operating environment.
- Store the device in dry, well-ventilated, corrosive-gas-free, no direct sunlight, and no heating source environment.
- Avoid fire, water, and explosive environment when using the device.
- Install the device in such a way that lightning strikes can be avoided. Provide a surge suppressor at the inlet opening of the equipment under special conditions such as the mountain top, iron tower, and forest.
- Keep the device away from magnetic interference.
- Avoid device installation on vibratory surfaces or places. Failure to comply with this may cause device damage.
- DO NOT touch the heat dissipation component to avoid burns.
- DO NOT expose the device to extremely hot, cold, or humidity environments. For temperature and humidity requirements, see device specification.
- No naked flame sources, such as lighted candles, should be placed on the equipment.
- DO NOT touch the sharp edges or corners.
- To prevent possible hearing damage, DO NOT listen at high volume levels for long periods.
- The device can only be safely used in the region below 2,000 meters above the sea level.

Maintenance

- If smoke, odor, or noise arises from the device, immediately turn off the power, unplug the power cable, and contact the service center.
- If the device cannot work properly, contact the store you purchased it or the nearest service center. DO NOT disassemble or modify the device in the unauthorized way (For the problems caused by unauthorized modification or maintenance, the company shall not take any responsibility).
- Keep all packaging after unpacking them for future use. In case of any failure occurred, you need to return the device to the factory with the original packaging. Transportation without the original packaging may result in damage to the device and the company shall not take any responsibility.

Network

- Please enforce the protection for the personal information and the data security as the device may be confronted with the network security problems when it is connected to the Internet. Contact us if network security risks occur.
- Please understand that you have the responsibility to configure all the passwords and other security settings about the device, and keep your user name and password.

Lens

- DO NOT touch the lens with fingers directly in case the acidic sweat of the fingers erodes the surface coating of the lens.
- DO NOT aim the lens at the strong light such as sun or incandescent lamp. The strong light can cause fatal damage to the device.

Screen

- Clean the screen with soft and dry cloth or other substitutes to wipe the interior and exterior surface. DO NOT use alkaline detergents. Protect the screen from scratches.
- DO NOT install the device in the position obstructing the driver's sight to prevent it from affecting the normal driving of the vehicle.

Data

DO NOT disconnect the power during formatting, uploading, and downloading. Or files may be damaged.

TABLE OF CONTENTS

Chapter 1 Introduction	5
1.1 Product Introduction	5
1.2 Panel Description.....	5
Chapter 2 Installation	7
2.1 Install SD/SIM Card	7
2.2 Install Device	7
Chapter 3 Power Cord Wiring.....	9

Chapter 1 Introduction

1.1 Product Introduction

The smart onboard temperature screening terminal (hereinafter referred to as “device”) supports human body temperature screening, face recognition, and mask detection. It is embedded with close-distance lens with scanning function, convenient for the passengers to scan the payment code or the travelling allowable code.

The device is dedicated for the mobile scene, applicable to buses, coaches, etc.

1.2 Panel Description

The device panel is shown as the figure below.

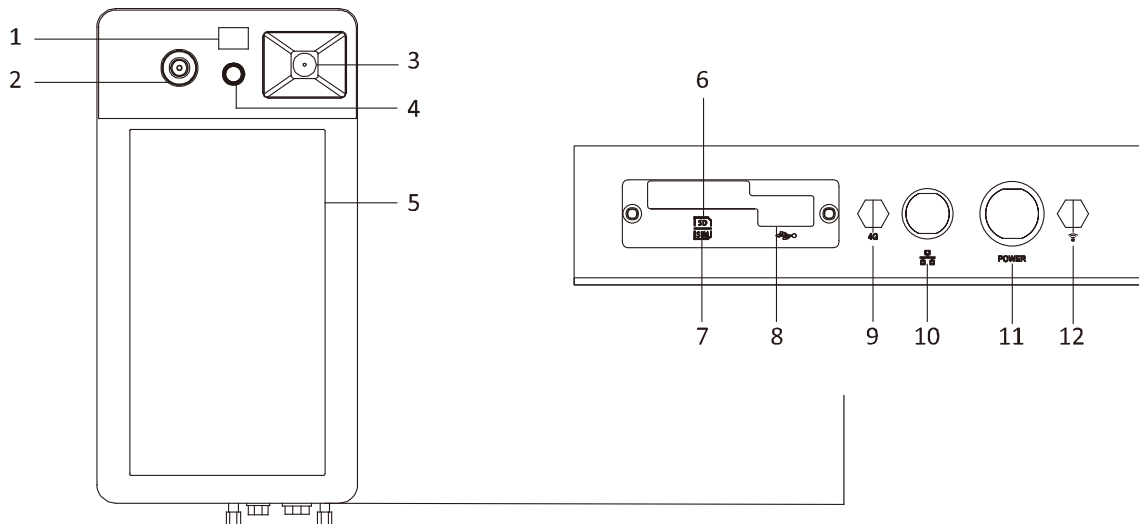


Figure 1-1 Panel

Refer to the table below for the panel description.

Table 1-1 Panel Description

No.	Name	Description
1	Supplement light	Supplements light for the face detection camera.
2	Temperature screening camera	Detects temperature via the IR heat of the target without touching.
3	Code scanning camera	You can scan the payment code or the travelling allowable code via the camera.
4	Face detection camera	Live view and face detection.

5	Screen	Displays the live view image, temperature screening information, etc. of the face detection camera.
6	SD card slot	You can open the card slot cover and insert the SD card into the slot for local storage.
7	SIM card slot	You can open the card slot cover and insert the SIM card into the slot for network communication.
8	USB interface	USB interface.
9	4G antenna interface	Connects to the 4G antenna.
10	Network interface	Gets access to the face detection camera.
11	Power input	Connects to the mobile power cord.
12	Wi-Fi antenna interface	Connects to the Wi-Fi antenna.

Chapter 2 Installation



Shut down the device before installation.

2.1 Install SD/SIM Card

Install the SD card for the local storage, or install the SIM card for network connection.

Before you start

Prepare the SD/SIM card and screwdriver.

Step 1 Unfasten the two M3 screws via the screwdriver, and open the SD/SIM card slot cover.

Step 2 Insert the SD/SIM card into the SD/SIM card slot.

Step 3 Install the card slot cover, and fasten the screws.

2.2 Install Device

The device can be installed on the bus. Horizontal and vertical pole mounting are both supported. The description below takes the vertical pole mounting as the example.

Before you start

- Install the vertical pole.
- Prepare the screwdriver.

Step 1 Place the device in front of the vertical pole with 1.6 m height above the ground.

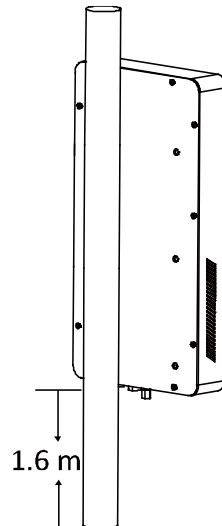


Figure 2-1 Place Device

Step 2 Align the holes on the U-Type bracket with those on the device.

Step 3 Fasten four M6 screws into the holes to fix the device on the vertical pole.

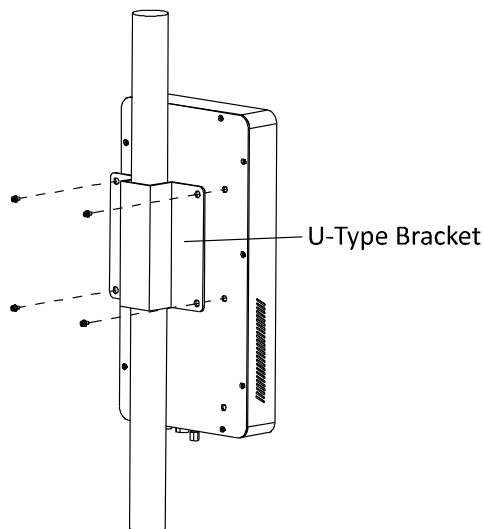


Figure 2-2 Fix Device

 **WARNING**

Never place the equipment in an unstable location. The equipment may fall, causing serious personal injury or death. Install safety protection equipment if necessary. Check regularly.

Chapter 3 Power Cord Wiring

The device starts up when your automobile ignites and shuts down after automobile is off. Automobile ignition startup and shutdown are realized by positive pole ignition switch (providing high level signal when the switch closes). Ignition switch is connected to the positive pole of automobile batteries.

NOTE

- The wire connection of the device varies with the automobile ignition models.
- Make sure the connection of ignition switch is correct.

Step 1 Connect **DC IN +** of the device to the positive pole of automobile batteries, jumping over the switch of normal automobile power.

Step 2 Connect **DC IN -** of the device to the negative pole of automobile batteries.

Step 3 Connect **ACC** of the device to the automobile ignition switch.

Step 4 Place fuse into the fuse holder.

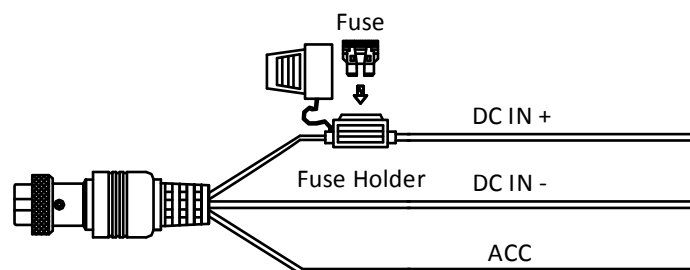


Figure 3-1 Power Cord

WARNING

- CAUTION: To reduce the risk of fire, replace only with the same type and rating of fuse.
 - CAUTION: Double pole/Neutral fusing. After operation of the fuse, parts of the equipment that remain energized might represent a hazard during servicing.
-

Result

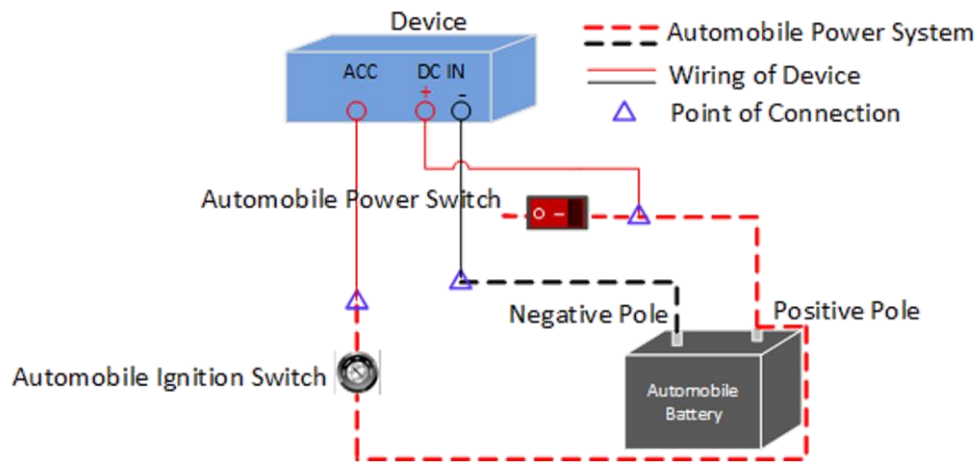
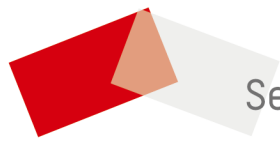


Figure 3-2 Power Cord Wiring

NOTE

- Contact the automobile manufacturer for the connection information of starting switch.
- The automobile ignition switch, also called car key, controls the startup and shutdown of your automobile. Most of automobiles adopt positive pole ignition switch currently.
- The normal automobile power refers to the main power of the automobile power supply system. After the automobile is off, the normal automobile power still provides direct-current source for the other devices inside and generally a main switch is used to turn on/off it.



See Far, Go Further