

## L-PCM06A Ceiling Loudspeaker

### FEATURES

- Clear and stereo audio performance with dual-cone speakers
- Cone with gasket designed for longer operation life
- Sturdy press fit metal grille appearance
- Higher sensitivity
- Simple power setting
- Excellent crash and rust resistant performance
- Flush-mounting system for fast and easy installation
- CE and RoHS compliant



### PRODUCT DESCRIPTION

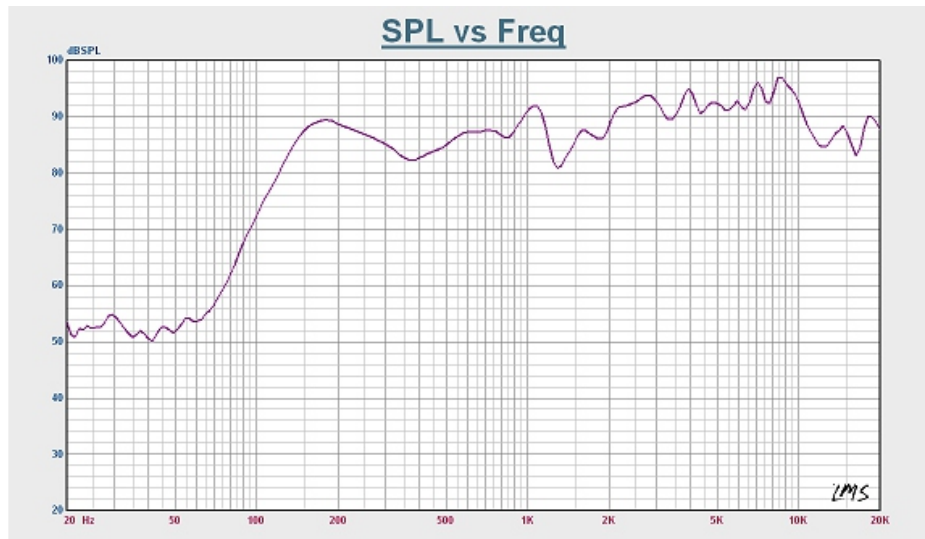
L-PCM06A is a cost-competitive ceiling loudspeaker which has an excellent audio performance and aesthetic appealing enclosure. This full range loudspeaker features a high sound pressure level and a wide frequency response range. It is intended for use in verbal and music public address system where high quality

sound and wide exterior compatibility are desired. L-PCM06A has a built-in 6W dual-cone speaker and a 100V matching transformer mounted on the back. The round metal front grille is well fitted in the front. The loudspeaker is CE and RoHS compliant.

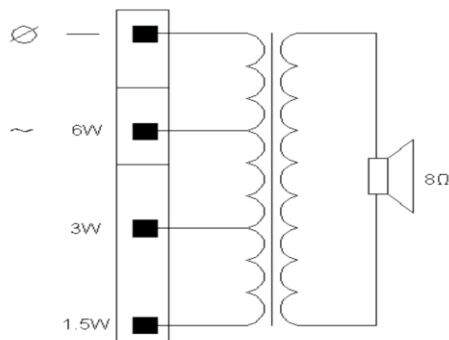
### TECHNICAL SPECIFICATIONS

Model	L-PCM06A
Max power	9 W
Rated power	6 W
Power taps @ 100V	6 W / 3 W / 1.5 W
Power taps @ 70V	3 W / 1.5 W / 0.75 W
SPL at 6W / 1W ( 4k Hz, 1m)	98 dB / 92 dB
Frequency response ( - 10 dB )	150 Hz - 20k Hz
Dispersion angle ( 1k Hz / -6 dB )	160°
Rated input voltage	100 V / 70 V
Rated impedance	1.7k $\Omega$ / 3.3k $\Omega$ / 6.7k $\Omega$
Connector	Plastic terminal blocks
Dimensions ( $\Phi$ × H )	$\Phi$ 180 mm × 55 mm
Hole cut-out size	150 mm
Diameter of speaker	5"
Weight	0.71 kg
Color	White ( RAL9010 )
Weight of magnet	117 g

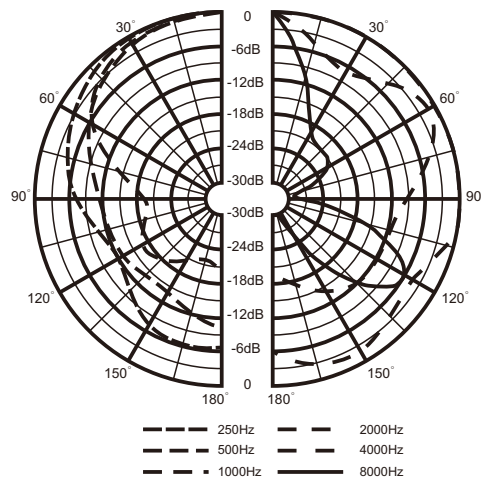
## FREQUENCY RESPONSE



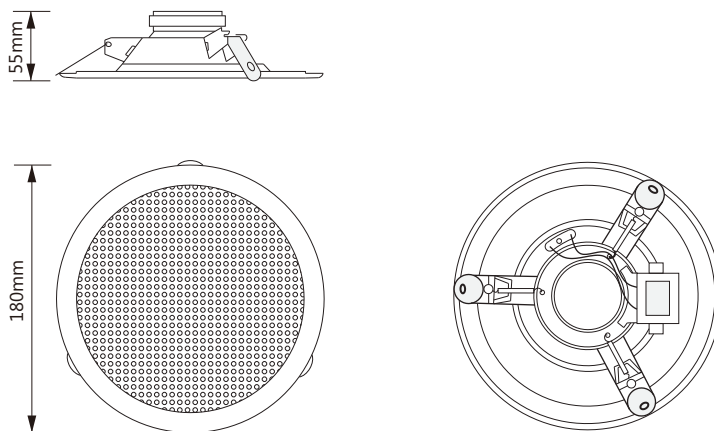
## CIRCUIT DIAGRAM



## POLAR DIAGRAM



## THREE-VIEW DIAGRAM



## Honeywell Audiovisuals

No. 257, Junye Road  
 Guangzhou GETDD East  
 510530 China  
 Tel: +86 20 2839 9600  
 Fax: +86 20 2820 8706  
 www.honeywellav.com

2100040585\_EN2.2  
 Nov 2012  
 © 2012 Honeywell International Inc.

**Honeywell**