



DIGI PLEX EVO

High Security and Access System
EVO48 V1.20
EVO192 V1.20

Installation Guide
Includes Keypad Installation

We hope this product performs to your complete satisfaction. Should you have any questions or comments,
please visit paradox.com and send us your comments.

P **▲** **R** **▲** **D** **O** **X**[®]
S E C U R I T Y S Y S T E M S

paradox.com

Table of Contents

Introduction	1	Restrict Arming on Bell or Auxiliary Failure	16
Features of EVO48	1	Restrict Arming on TLM Failure	16
Features of EVO192	1	Restrict Arming on Module Troubles	16
Hardware Difference	1	Timed Auto-Arming.....	16
Specifications	1	No Movement Auto-Arming	16
Installation	2	Auto-Arming Options	17
Recommended Installation Procedure	2	Switch To Stay Arming	17
Location & Mounting	2	Always Force Arm when Regular Arming	17
Earth Ground.....	2	Auto Force on Stay Arming.....	17
AC Power	2	Follow Zone Switches to Entry Delay 2	17
Backup Battery.....	2	One-Touch Features.....	17
Auxiliary Power Terminals.....	2	Exit Delay.....	17
Bell/Siren Output	2	Keypad Lock-out Feature	17
Programmable Outputs	2	Bell Squawk.....	18
Keyswitch Connections	2	Ring-back.....	18
Access Control Connections	2	Maximum Bypass Entries	18
Calculating Power Requirements	4	Display "Bypass" If Armed	18
Keypad Zone Connections.....	5	Alarm Options	19
Addressable Zone Connections	5	Bell/Alarm Output	19
Double Zone Connections.....	6	Bell Cut-off Timer	19
Combus Connections.....	6	Wireless Transmitter Supervision Options.....	19
Fire Circuits	7	Police Code Timer	19
Telephone Line Connections	7	Tamper Recognition Options	19
Built-in RTC.....	7	Keypad Panic Options	20
Programming Methods	8	Event Reporting	21
WinLoad Uploading/Downloading Software*	8	Reporting Enabled	22
Paradox Memory Key.....	8	Report Codes.....	22
Module Broadcast	8	Report Arming and Disarming	23
Programming Through a Keypad	8	Monitoring Station Phone Number.....	24
Module Programming Mode.....	8	Account Number	24
Zone Programming	9	Account Number Transmission.....	24
Zone Programming	10	Reporting Formats	24
Zone Numbering	10	Event Call Direction	24
Zone Doubling (ATZ).....	10	Pager Delay	25
Zone Definitions	10	Recent Close Delay	25
Zone Partition Assignment	11	Power Failure Report Delay.....	25
Zone Options.....	11	Power Failure Restore Report Delay	25
Input Speed.....	12	Repeat Pager Report Code Transmission	25
EOL on Hardwire Zones.....	13	Auto Test Report.....	25
Keypad Numbering	13	Disarm Reporting Options	25
Remote Control Programming	14	Zone Restore Report Options.....	25
Hardware Requirements	14	Auto Report Code Programming	26
Remote Control Template.....	14	Closing Delinquency Timer.....	26
Keyswitch Programming	15	Dialer Options	27
Keyswitch Numbering	15	Telephone Line Monitoring	27
Keyswitch Definitions	15	Tone/Pulse Dialing.....	27
Keyswitch Partition Assignment	15	Pulse Ratio	27
Keyswitch Options.....	15	Busy Tone Detection	27
Arming and Disarming Options	16	Switch To Pulse	27
Arming Follows Partition	16	Bell On Communication Fail	27
Trouble Latch	16	Keypad Beep on Successful Arm or Disarm Report.....	27
Restrict Arming on Supervision Loss	16	Dial Tone Delay	27
Restrict Arming on Tamper	16	VDMP3 Voice Module	28
Restrict Arming on AC Failure.....	16	VDMP3 Installation Instructions.....	28
Restrict Arming on Battery Failure	16	Feature activation (PGMs).....	28
		VDMP3 Setup Instructions.....	28

Programmable Outputs.....	29	Burglar Alarm On Forced Door or Door Left Open.....	37
PGM Activation Event.....	29	Logging Access Control Events	37
PGM Deactivation Option	29		
Flexible PGM Deactivation Option.....	29	WinLoad Software	38
PGM Deactivation Event.....	29	Panel Identifier	38
PGM Timer	29	PC Password.....	38
PGM1 Becomes a 2-wire Smoke Detector Input*.....	29	PC Telephone Number.....	38
PGM Test Mode.....	29	Call Back Feature.....	38
PGM Initial Status.....	29	Call WinLoad.....	38
		Answer WinLoad	38
System Settings and Commands.....	30	Answering Machine Override Delay	38
Hardware Reset.....	30	Ring Counter	38
Software Reset	30	Event Buffer Transmission	38
Installer Code Lock.....	30	In-Field Firmware Upgrade.....	38
Daylight Savings Time	30		
Daylight Savings Time Schedule	30	Appendix 1: Automatic Report Code List	40
Battery Charge Current.....	30	Appendix 2: Contact ID Report Code List	42
Combus Speed.....	30	Appendix 3: Keypad Installation Instructions	44
Transmit Zone Status on Serial Port.....	30	Index	50
Serial Port Baud Rate	30	Warnings	54
Partitioning.....	31		
Shabbat Feature	31		
Installer Function Keys	31		
Module Reset.....	31		
Locate Module	31		
Module Programming	31		
Module and Label Broadcast.....	31		
System Date & Time.....	31		
Quick Module Scanning.....	31		
Module Scanning.....	31		
Serial Number Viewing	31		
Power Save Mode	31		
Auto Trouble Shutdown	32		
No AC Fail Display.....	32		
Multiple Action Feature	32		
System Labels	32		
Access Codes	34		
Installer Code.....	34		
Access Code Length.....	34		
System Master Code	34		
Programming Access Codes	34		
User Options.....	34		
Partition Assignment.....	35		
Access Control.....	35		
Access Control: System Features	36		
Common Access Control Terms.....	36		
Programming Overview	36		
Enable Access Control	36		
Door Numbering	36		
Access Levels.....	36		
Access Schedules	36		
Backup Schedules.....	36		
Holiday Programming	36		
Schedule Tolerance Window	36		
Door Access Mode	37		
Code Access.....	37		
Card and Code Access.....	37		
Skip Exit Delay When Arming With Access Card	37		
Restrict Arming on Door	37		
Restrict Disarming on Door.....	37		
Door Access During Clock Loss	37		

Introduction

The Digiplex EVO is a security and access control system with 8 on-board zone inputs (16 with zone doubling) that is expandable to 48 or 192 zones via the 4-wire combus. The EVO control panel features up to 999 users, 8 partitions, 32 doors and can support up to 254 modules in any combination.

The Digiplex EVO system provides the highest level of protection for banks, high-security military and government sites, luxurious residential homes and any place where maximum security is essential. These systems are designed to be easy to use, and the modular concept of these systems provides installers with labour-saving features that make expanding, installing and servicing these systems quick and convenient.

Expand the EVO system by adding plug-and-play expansion modules anywhere and in any combination on the 4-wire combus. Modules are connected to the combus at the most convenient location and then their zone inputs are assigned to the desired zone and partition. Also, only a module's used inputs are assigned to zones in the system. Keyswitches, remote controls and unused module inputs do not use up zones. Once installed, all combus modules, including motion detectors, can be programmed remotely via a keypad or the WinLoad upload/download software.

EVO also supports 32 virtual zones in addition to its security zones and access control doors. Virtual zones can be used to automate PGM activations without occupying a security zone and without affecting the system's security functions. The EVO system is a logical solution to every installer's security, access control and home automation installation needs.

1.1 Features of EVO48

- ◆ Digital combus:
 - Provides constant power, supervision and two-way communication between the control panel and all its modules
 - Supports up to 127 modules
 - Connect modules up to 914m (3000ft) from the panel
 - Sabotage-proof technology without additional wiring
- ◆ 8 on-board zones (16 w/ zone doubling) expandable to 48 zones via 4-wire combus
- ◆ Built-in access control features
- ◆ In-field firmware upgradeable via 307USB and WinLoad
- ◆ Compatible with NEware
- ◆ Automatic Daylight Saving Time feature
- ◆ 2 on-board solid-state relays PGM outputs (+ 3 optional), negative or positive triggering
- ◆ PGM1 can be used as a 2-wire smoke input
- ◆ 96 user codes
- ◆ 4 partitions
- ◆ 1024 events buffered
- ◆ Program remote controls using the master or installer codes
- ◆ Up to 96 remote controls with one MG-RTX3
- ◆ Built-in-real-time clock backup battery
- ◆ 1.7A switching power supply
- ◆ 1 supervised bell output, auxiliary output and telephone line
- ◆ Push button software reset (reset to default values and restart)
- ◆ Push button to activate or deactivate the Auxiliary output
- ◆ Fits in a 28cm x 28cm x 7.6cm (11in x 11in x 3in) metal box
- ◆ The EVO series share the same programming for easy panel substitution

1.2 Features of EVO192

Same features as the EVO48 plus:

- ◆ Expandable to 192 zones
- ◆ 5 on-board solid-state PGM outputs, negative or positive triggering
- ◆ Supports up to 254 expansion bus modules
- ◆ 999 user codes
- ◆ 8 partitions
- ◆ 2048 events buffered
- ◆ Up to 999 remote controls with one MG-RTX3

1.3 Hardware Difference

The programming for the EVO48 and EVO192 panels is identical. However, certain differences may affect how many elements can be programmed.

Feature	EVO48	EVO192
Zones	48	192
Partitions	4	8
Users	96	999
On-board PGMs*	2	5
Modules	127	254

1.4 Specifications

Control Panel (Non-UL systems)

AC Power: 16Vac, 20/40VA, 50-60Hz
Battery: 12Vdc, 7Ah minimum
Auxiliary Power: 12Vdc 600mA typical, 700mA maximum, fuseless shutdown at 1.1A
Bell Output: 1A, fuseless shutdown @ 3A
PGM Output: PGM1 to PGM4 100mA solid-state relays with +/- trigger, PGM5 Form C relay output rated at 5A/28Vdc N.O. / N.C.

Operational Temperature: -20°C to +50°C (4°F to +122°F)

All control panel outputs are rated to operate between 10.8Vdc and 12.1Vdc

Control Panel (UL compliant systems)

AC Power: 16Vac, 40VA, 60Hz
Battery: 12Vdc, 7Ah minimum
Auxiliary Power: 11.4 to 12.5Vdc, 200mA maximum, fuseless shutdown at 1.1A
Bell Output: 11.4 to 12.5Vdc, 1A maximum, fuseless shutdown @ 3A
PGM Output: PGM1 to PGM4 100mA solid-state relays with +/- trigger, PGM5 Form C relay output rated at 5A/28Vdc N.O. / N.C.

All control panel outputs are rated to operate between 11.4Vdc and 12.5Vdc

Specifications may change without prior notice.

General Note 1

Please note that only LCD and Grafica keypads can be used to program the EVO system. LED keypads cannot be used to program the system.

General Note 2

Please note that the steps may differ when programming with the Grafica keypad (DNE-K07). If not indicated, refer to the complete "Grafica User Manual", which can be downloaded for free from our website at paradox.com

Installation

2.1 Recommended Installation Procedure

1. Connect a small group of modules, including a keypad. See *Figure 3* on page 3 for connection information.
2. Connect the battery and AC power. Enter section **[4000]** (see section 13.20 on page 31). Only the Clock Loss trouble and/or Bell Absent trouble should appear. Verify the connection if a module does not appear in section **[4000]**, or if a module trouble occurs.
3. Disconnect AC power and the battery, follow steps 2, 3 and 4 for other modules.
4. If modules were removed, enter **[4005]**(see section 13.18 on page 31).
5. Connect an LCD keypad at various points from the control panel and use the keypad's built-in voltmeter.

2.2 Location & Mounting

Select a site that is not accessible to intruders and leave at least 2" around the box to allow proper ventilation and heat dissipation. The site should be dry and close to an AC, ground and telephone line connection.

2.3 Earth Ground

Connect the ground connector to the enclosure and cold water pipe or grounding rod as per local electrical codes.

2.4 AC Power

Use a 16.5Vac (50/60Hz) transformer with a minimum 20VA rating. For increased power use a 40VA rating. For *UL Listed* systems, use model #BE156240CAA. For *CSA listed* systems, use model #BE116240AAA. Do not use any switch-controlled outlets to power the transformer.



Do not connect the transformer or the backup battery until all wiring is completed. When powering up the EVO control panel, the panel will begin a module scan.

2.5 Backup Battery

Connect a 12Vdc 7Ah rechargeable acid/lead or gel cell backup battery (YUASA model #NP7-12 recommended). Verify the polarity, as reversed connections will blow the battery fuse. For details on how to set the Battery Charge Current to either 350mA or 850mA, see section 13.6 on page 30.

2.5.1 Battery Test

The control panel conducts a dynamic battery test under load every 60 seconds. If the battery is disconnected, if its capacity is too low or if the battery voltage drops to 10.5 volts or less when there is no AC, the "Battery Trouble" message will appear in the Trouble Display. At 8.5 volts, the panel shuts down and all outputs close.

2.6 Auxiliary Power Terminals

The auxiliary power supply can power accessories in the security system. A fuseless circuit protects the auxiliary output against overload and shuts it down if the current exceeds 1.1A. Auxiliary power will resume once the overload condition has restored. Press and hold the AUX button for two seconds to turn AUX power on and off.

2.7 Bell/Siren Output

The bell output supplies 12Vdc upon alarm and can support one 30-watt or two 20-watt sirens. The bell output will automatically shut down if the current exceeds 3A. If the load on the BELL terminals returns to normal ($\leq 3A$), the control panel will re-instate power to the BELL terminals. Please verify correct polarity.



For connection of self-contained bell/siren, see *Figure 3* on page 3.



When the bell output is not used, the "Bell Absent" message appears in the Trouble Display. To avoid this, connect a 1k Ω resistor across the bell output. UL Note: The keypads must be programmed to beep with all troubles.

2.8 Programmable Outputs

PGM1 to PGM4 are 100mA (max.) solid-state relays with +/- trigger. PGM5 is a 5A/28Vdc N.O./ N.C. relay output. They can be set at either normally open or normally closed. If the current draw on PGM1 to PGM4 is to exceed the current output, we recommend using a relay as shown in *Figure 1*.

2.9 Keyswitch Connections

Connect the keyswitches to the keypad, control panel, or Zone Expansion Module's hardwired input terminals as shown in *Figure 2*.

2.10 Access Control Connections

For all access control explanations and connection drawings, refer to *Access Control: System Features* on page 36.

Figure 1: PGM & Relay

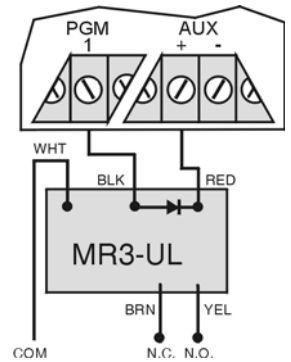


Figure 2: Keyswitch

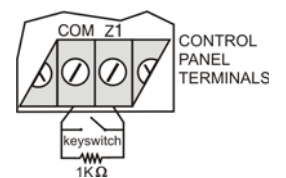
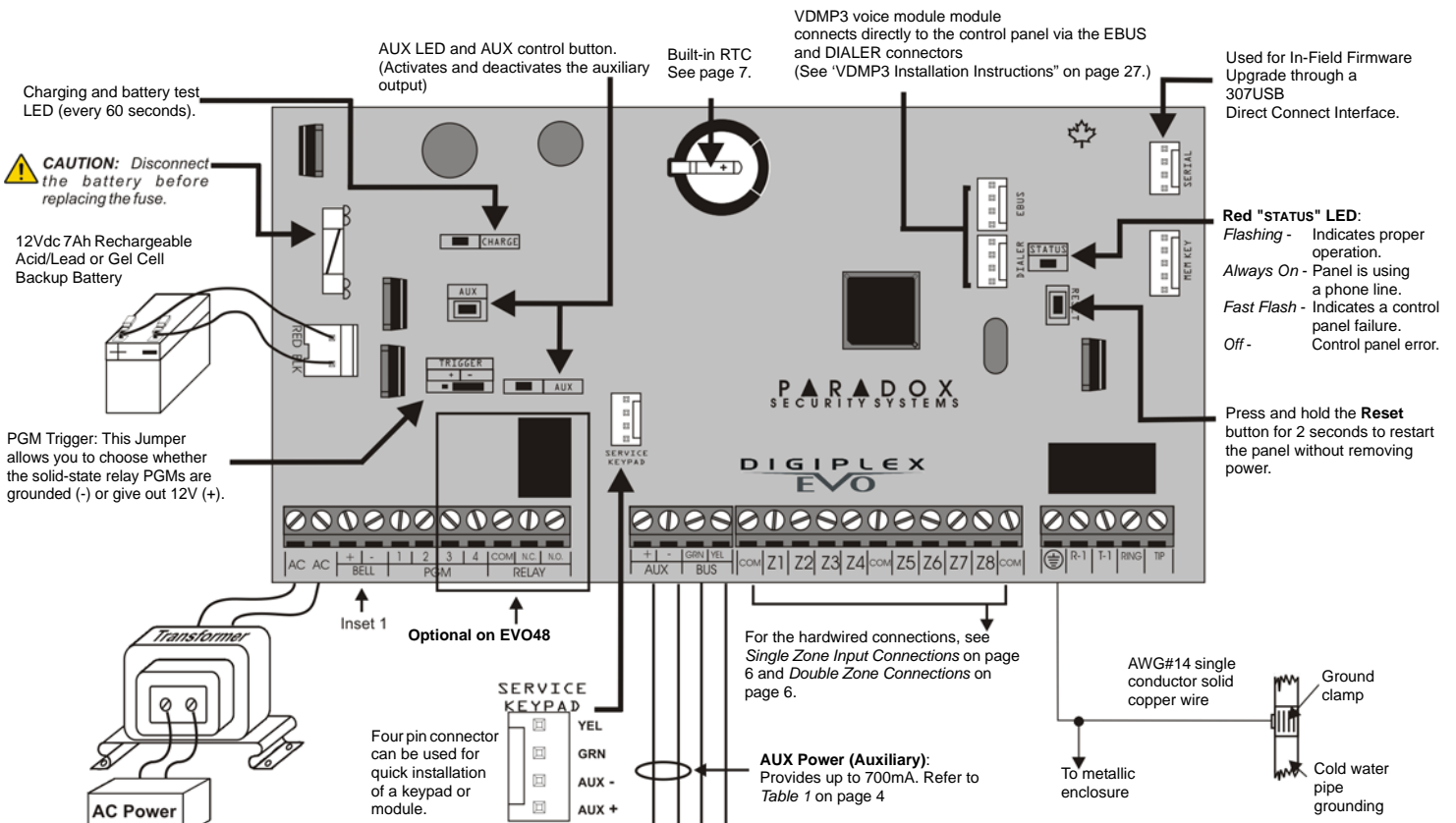
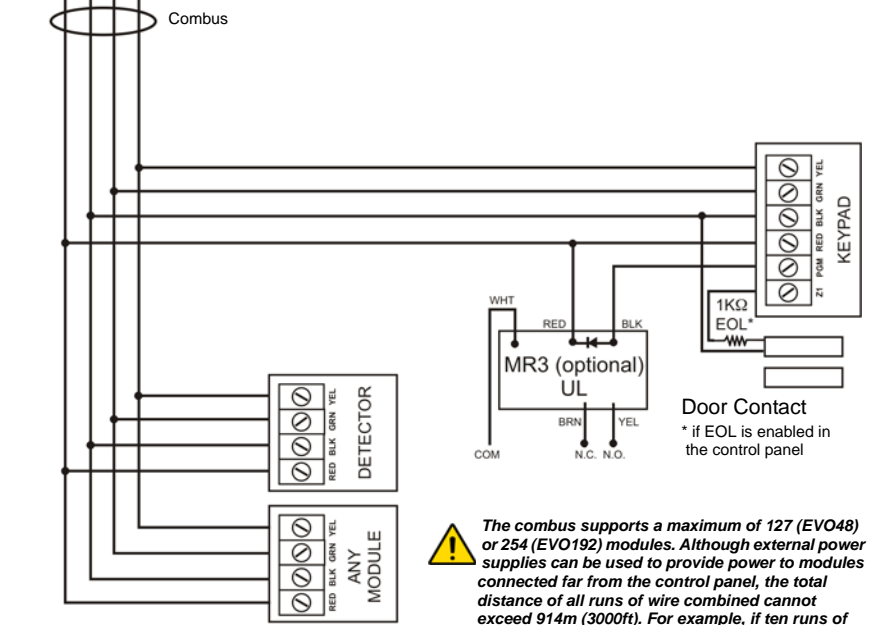
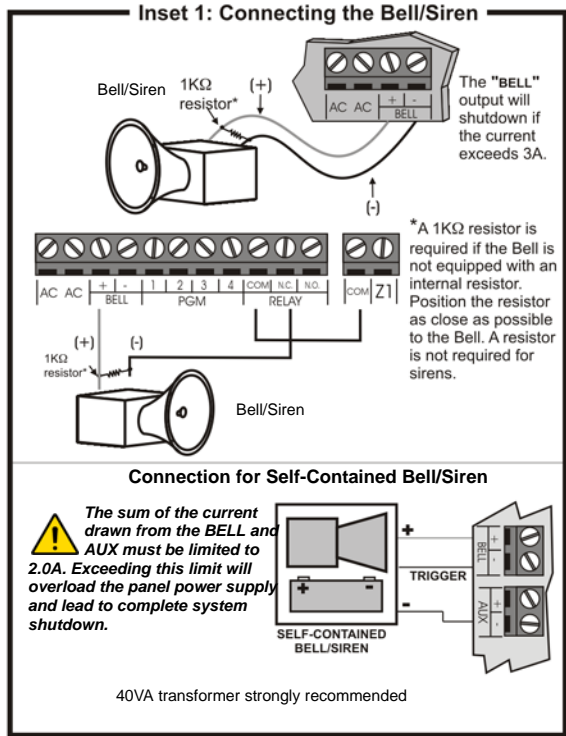


Figure 3: EVO Control Panel Wiring Diagram



Transformer Requirements:	Minimum:	Maximum:
	16.5VAC; 20VA	16.5VAC; 40VA
Auxiliary Supply can provide:	typical 600mA max. 700mA	typical 600mA max. 700mA
Automatic Shut Down	1.1A	1.1A
Usable Battery Charge Currents:	350mA	350mA 850mA max.



CAUTION The combus supports a maximum of 127 (EVO48) or 254 (EVO192) modules. Although external power supplies can be used to provide power to modules connected far from the control panel, the total distance of all runs of wire combined cannot exceed 914m (3000ft). For example, if ten runs of wire measuring 305m (1000ft) each are connected to the control panel, the total distance would be 3048m (10,000ft), which exceeds the system's capacity.

CAUTION Before adding any module to the control panel make sure you shutdown the AUX output by pressing and holding the AUX button for 3 seconds.

PLEASE NOTE: When powering up the EVO control panel, the panel will begin a module scan to verify if all the modules connected to the panel are operational. The scanning process will take between 30 seconds and 3 minutes to complete depending on the number of modules connected to the control panel. The module scan is complete when the LCD keypad begins to show the partition status. Only after the module scan is complete will the control panel be fully operational.

When installing the combus wires in a noisy environment, or when connecting the combus across separate buildings, you must use a shielded cable. Refer to section 2.15.1 on page 6.

Please see UL and ULC Warnings on page 54 for applicable UL/ULC warnings and information.

2.11 Calculating Power Requirements

Table 1: Power Requirement Calculation

Description	QTY.	mA used by each	Total mA
Grafica Graphic LCD Keypads (DNE-K07):	_____	X 130mA =	_____ mA
LCD Keypads (EVO641):	_____	X 110mA =	_____ mA
LCD Keypads with Built-in Reader (EVO641R):	_____	X 120mA =	_____ mA
LED Keypads (DGP2-648):	_____	X 110mA =	_____ mA
Motion Detector Modules (DG85, DGP2-50/60/70):	_____	X 30mA =	_____ mA
Door Contact Modules (DGP2-ZC1):	_____	X 15mA =	_____ mA
1-Zone Expansion Modules (DGP2-ZX1):	_____	X 30mA =	_____ mA
4-Zone Expansion Modules (APR3-ZX4):	_____	X 30mA =	_____ mA
8-Zone Expansion Modules (APR3-ZX8):	_____	X 30mA =	_____ mA
Magellan Wireless Expansion Modules (MG-RTX3):	_____	X 35mA =	_____ mA
4-PGM Expansion Modules (APR3-PGM4):	_____	X 150mA =	_____ mA
Printer Modules (APR3-PRT3):	_____	X 25mA =	_____ mA
DVACS Modules (DGP2-DVAC):	_____	X 40mA =	_____ mA
Annunciator Modules (DGP2-ANC1):	_____	X 20mA =	_____ mA
InTouch Voice-Assisted Arm/Disarm Modules (APR3-ADM2):	_____	X 105mA =	_____ mA
Hub and Bus Isolator (APR3-HUB2):	_____	X 50mA =	_____ mA
Access Control Module (DGP-ACM12):	_____	X 120mA =	_____ mA
Note: The DGP-ACM12 consumes 130mA from its own power supply. The DGP-ACM11 consumes 120mA when connected on the combus for power.	_____	X 120mA =	_____ mA
Listen-In Module (DGP-LSN4)	_____	X 60mA =	_____ mA
Internet Module (IP100)	_____	X 110mA =	_____ mA
Plug-In Voice Module (VDMP3)	_____	X 35mA =	_____ mA
Other devices such as hardwired motion detectors			_____ mA
Maximum available milliamps = 700mA		GRAND TOTAL	_____ mA

- Using *Table 1*, calculate the total number of milliamps (mA) required by each device, module, and accessory in the system. Please take into account devices connected to the control panel's PGM outputs. Since the BELL output has its own power supply, do not include the sirens connected to it in the calculation.
- If Grand Total is less than 700mA, go to step 3. If the value is greater, an external power supply is required (see *Figure 5* on page 5) to provide the additional power needed. Proceed with step 3 and refer to the example in *Figure 4* on page 5.
- Due to the degradation of a power signal over long distances, **EACH** length or run of wire in the system can support only a specific number of milliamps (mA). Using *Table 2*, determine how many milliamps each length of wire can support. Please note that the total number of milliamps (mA) can never surpass 700mA.

Table 2: Milliamps (mA) Limitations For Each Run of Wire

Gauge: 18AWG, Surface: 0.823mm ²	
Length of each run of wire	Available milliamps (mA)
30m(100ft.)	700
61m(200ft.)	700
91m(300ft.)	700
122m(400ft.)	700
152m(500ft.)	690
183m(600ft.)	575
213m(700ft.)	493
244m(800ft.)	431
274m(900ft.)	383
305m(1000ft.)	345
457m(1500ft.)	230
610m(2000ft.)	172
762m(2500ft.)	138
914m(3000ft.)	115

Gauge: 22AWG, Surface: 0.326mm ²	
Length of each run of wire	Available milliamps (mA)
30m(100ft.)	700
61m(200ft.)	682
91m(300ft.)	454
122m(400ft.)	341
152m(500ft.)	273
183m(600ft.)	227
213m(700ft.)	195
244m(800ft.)	170
274m(900ft.)	151
305m(1000ft.)	136

Gauge: 24AWG, Surface: 0.205mm ²	
Length of each run of wire	Available milliamps (mA)
30m(100ft.)	700
61m(200ft.)	429
91m(300ft.)	286
122m(400ft.)	214
152m(500ft.)	171
183m(600ft.)	143

Figure 4: Sample Power Requirement Calculations

Power required by devices connected to control panel's auxiliary output must not exceed the auxiliary output's limit:
 $(A) + (B) + (C) + (D) + (E) + (F) + (G) = 368\text{mA} < 700\text{mA} = \text{OK}$

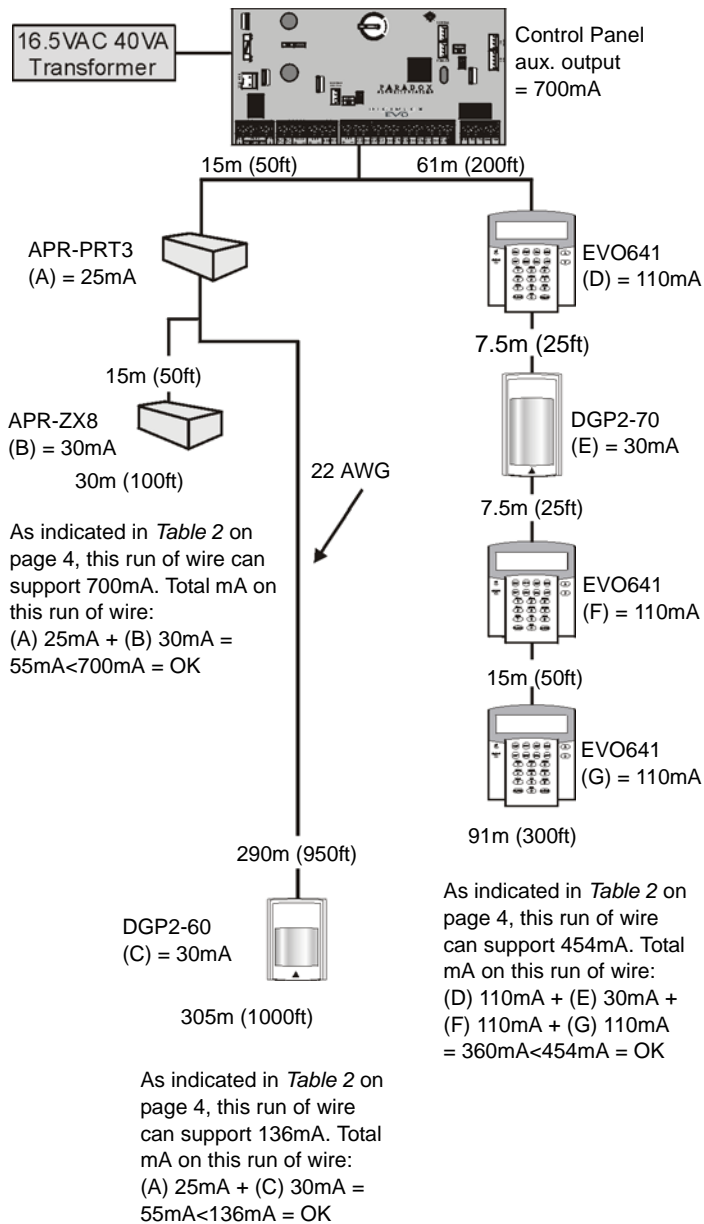
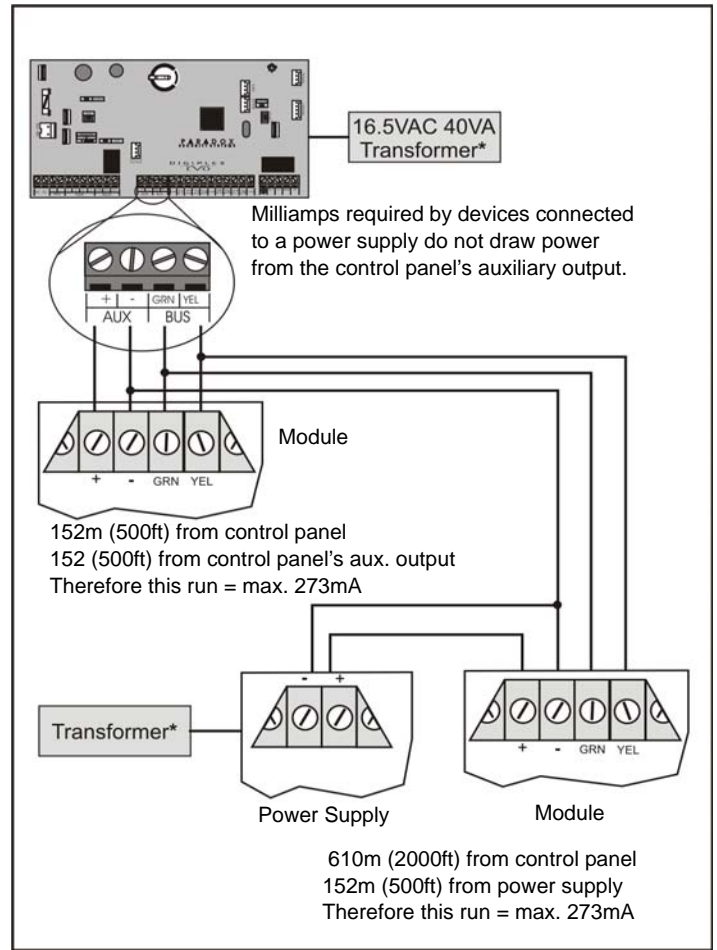


Figure 5: External Power Supply Connections



2.13 Addressable Zone Connections

The control panel includes eight hardwired input terminals for use with traditional hardwired (non-combus) door contacts, smoke detectors and/or motion detectors.

The control panel also supports hardwire zone expansion modules. Figure 6 shows single zone (ATZ disabled) hardwire input terminal connections recognized by the Digiplex EVO system. For UL listed installations, use EOL resistor part #2011002000.

! Do not use the same transformer for the control panel and the external power supplies. Do not install modules more than 914m (3000ft) from the control panel.

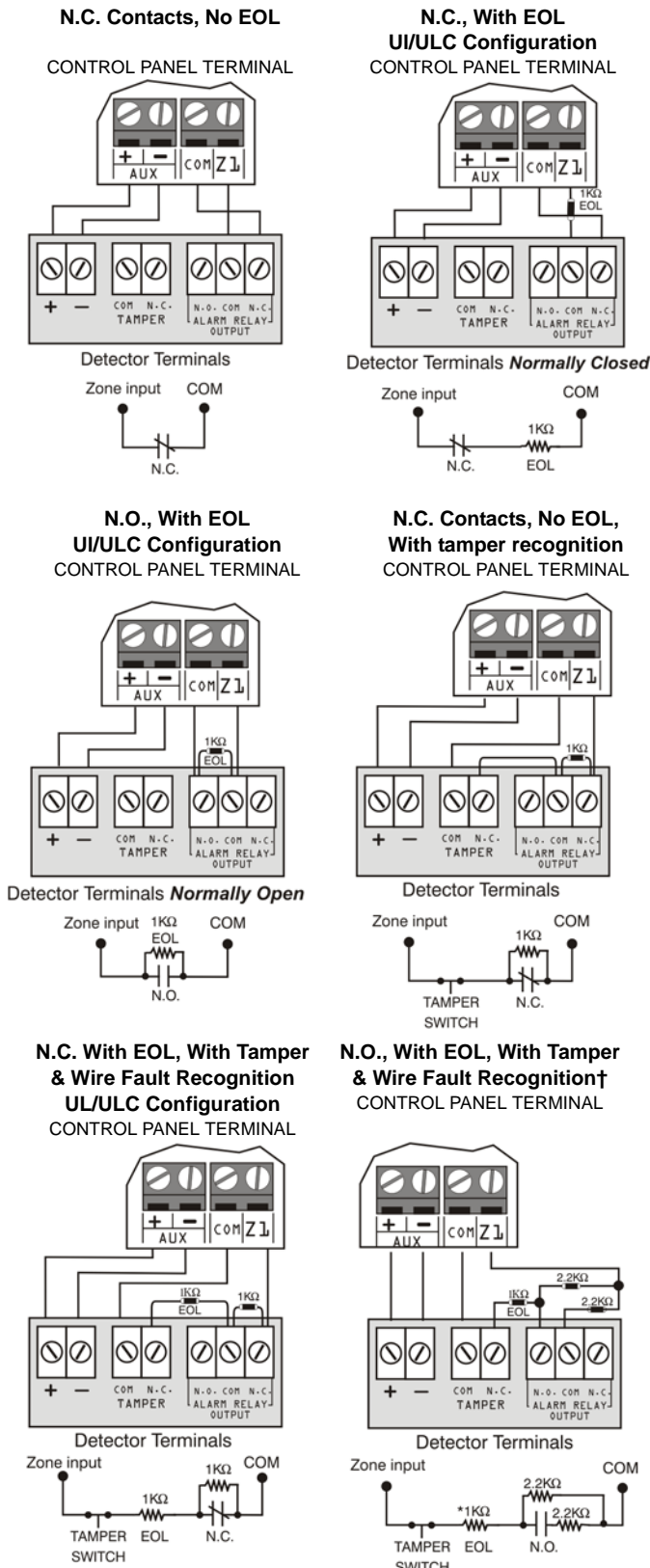
2.12 Keypad Zone Connections

Every keypad, except Grafica, has one hardwire input terminal.

! Even with the ATZ feature enabled in the control panel, only one device can be connected to the keypad's hardwired input terminal. Tamper is not recognized on keypad zones. The keypad zone follows the control panel's EOL definition.

The keypad communicates the status of the zone to the control panel via the combus. The detection device is connected as shown in Figure 3 on page 3.

Figure 6: Single Zone Input Connections

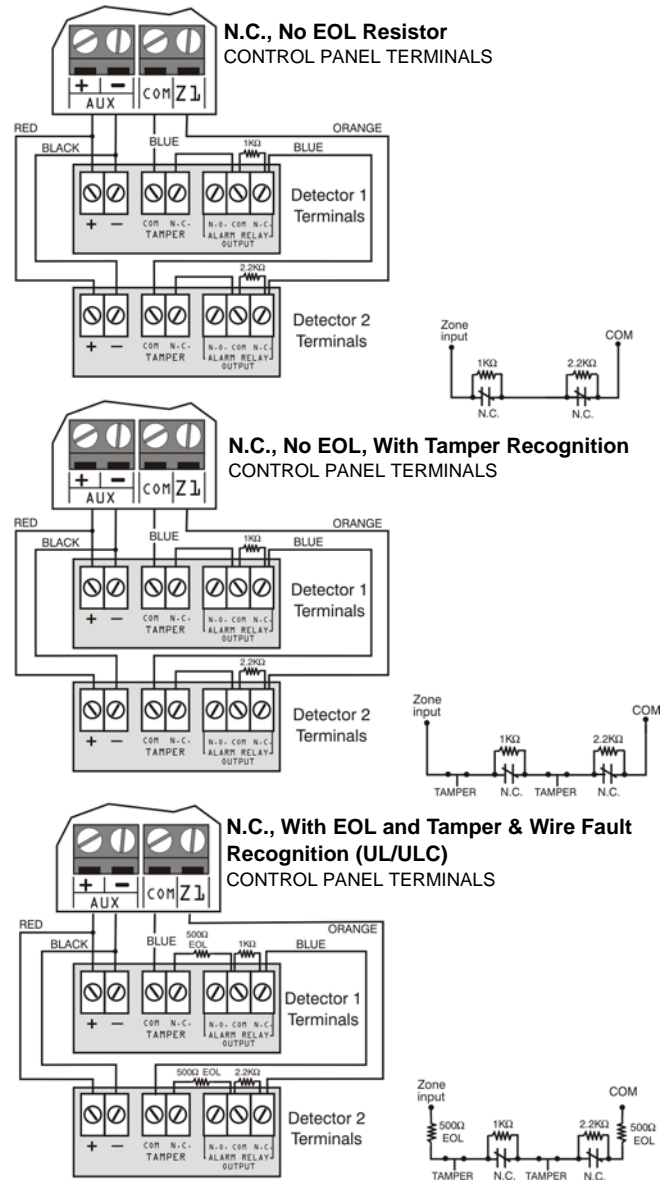


† Enable ATZ (see section 4.3 on page 10) and connect as follows (extra input cannot be used)

2.14 Double Zone Connections

Enabling the ATZ feature (see section 4.3) allows you to install two detection devices per input terminal. Connect the devices as shown in Figure 7. For UL listed Burglary System installations only, use EOL resistor part #2011002000.

Figure 7: Double Zone Connections



2.15 Combos Connections

The 4-wire combus can support 127 (EVO48) or 254 (EVO192) modules. Use star and/or daisy chain configuration. The total length of wire cannot exceed 914m (3000ft).



Before connecting a module to the combus, remove AC and battery power from the control panel.

2.15.1 Connecting the Combos in Noisy Environments

When installing the combus wires in proximity to high electrical interferences or across separate buildings, use shielded cables:

Within the Same Building: Strip the outer jacket at one end of the shielded cable to expose the shield and connect the shield to the control panel ground (not the dialer ground), while leaving the shield at the other end of the cable open (floating).

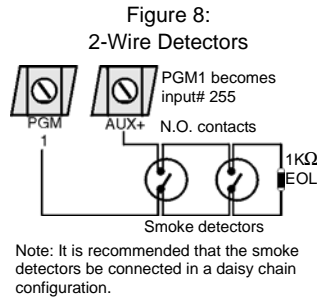
Across Separate Buildings: Strip the outer jacket at one end of the shielded cable to expose the shield. In the same building as the control panel, connect the exposed shield to any earth ground available, while leaving the shield at the other end of the cable open (floating). The same configuration applies for any subsequent building.

2.16 Fire Circuits

Assign the smoke detectors connected to the control panel or zone expansion input terminals to a zone and define the zone's parameters as a Fire Zone (see section 4.4.12 and section 4.4.13 on page 11).

2.16.1 Smoke Detector Installation (2-Wire)*

PGM1 can be defined as a 2-wire smoke detector input (see section 12.6 on page 29). Connect the 2-wire smoke detectors as shown in Figure 8. If a line short occurs or the smoke detector activates, whether the system is armed or disarmed, the control panel will generate an alarm. If the line is open, the "Zone Fault" trouble indication appears in the Trouble Display and the report code is sent to the monitoring station, if programmed.



* **UL Note:** Not to be used with UL Listed systems.

2.16.2 ESL CleanMe® Installation

Connect ESL smoke detectors like the standard smoke detectors. Avoid connecting more than 20 ESL smoke detectors. When an CleanMe signal is sent, the control panel will generate a Zone Fault trouble and may transmit the Fire Loop report code to the monitoring station. The trouble will be cleared if there is no CleanMe signal for 255 seconds. If an alarm occurs, the trouble will be cleared until it is detected again.

2.16.3 Smoke Detector Installation (4-Wire)

Recommended: System Sensor model 2112/24D smoke detectors. Connect the 4-wire smoke detectors and a relay as shown in Figure 9. To comply with UL955, install the 4-wire smoke detectors with 18 gauge wire. If power is interrupted, the relay causes the control panel to transmit the Fire Loop Trouble report programmed in section [2906].

To reset (unlatch), connect the smoke detector's negative (-) to a PGM. Then program the PGM with the "Smoke Detector Power Reset" activation event (see section 12.1 on page 29; Event Group #067, start # 004, end # 004) to interrupt power to the smoke detector for four seconds when the [CLEAR] and [ENTER] keys are pressed and held for two seconds.

! If ATZ is enabled (see section 4.3 on page 10), do not use the extra input (doubled zone).

Figure 9: 4-Wire Detectors

Fire Zones UL/ULC Installation Control Panel Terminals

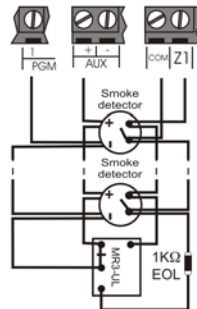
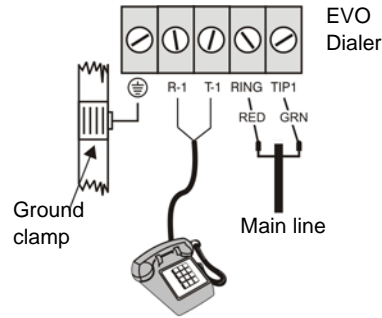
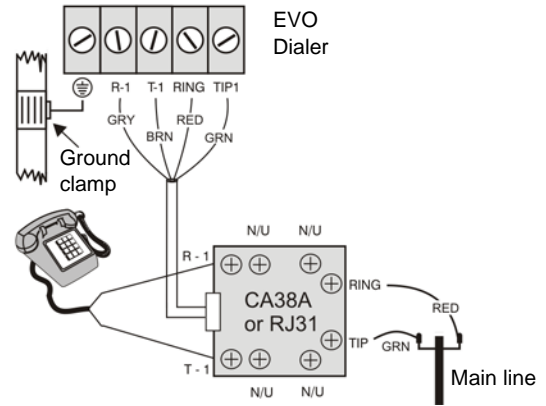


Figure 10: Telephone Line Connection Examples

Example 1:



Example 2:



2.17 Telephone Line Connections

The telephone lines can be connected directly to the control panel or through a CA38A or RJ31 as shown in Figure 10.

UL Note: Installer must verify line seizure after every installation

For TBR-21 compliance, please note the following:

1. The EVO can be connected to the telephone network via an RJ-11 connector.
2. The Maximum Dialing Attempts cannot exceed 15 attempts (page 25).

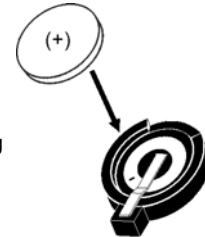
2.18 Built-in RTC

The RTC will save the EVO's internal clock when both the AC and battery power have been lost. The RTC uses a 3V lithium battery (CR2032) with a battery life of 11 years. Change the battery as shown below:

Figure 11: Changing the RTC's Battery

3V Lithium Battery
(CR2032)

Insert the battery with the positive facing up and the negative facing down.



! Reprogram the control panel's clock after changing the battery.
Danger of explosion exists if the lithium battery is incorrectly replaced. Replace only with the same or equivalent type recommended by the manufacturer. Dispose of used batteries according to the manufacturer's instructions.

* For installations without EOL, remove 1KΩ

Programming Methods

3.1 WinLoad Uploading/Downloading Software*

We recommend programming the control panel with WinLoad. Refer to *WinLoad Software* on page 38 for details.

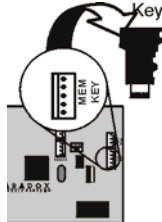
* **UL Note:** Not verified by UL

3.2 Paradox Memory Key

The Paradox Memory Key can copy the programmed contents of one control panel into as many others. **Not to be used with UL Listed systems.**

Copy to Memory Key

1. Insert the Memory Key (PMC-4) onto the control panel's connector labelled "MEM KEY".
2. To copy the contents to the Memory Key **except** zone numbering and sections [0501] to [0532], enter installer programming mode, then enter section [4020]. (Depending on the memory key, the labels may or may not be included.)
To copy the contents to the Memory Key **including** zone numbering and sections [0501] to [0532], enter section [4021]. (Depending on the memory key, the labels may or may not be included.)
3. When the keypad emits a confirmation beep, remove the Memory Key. Remove the write protect jumper.



Download to Control Panel

- 1) Insert the Memory Key onto the control panel's connector labelled "MEM KEY".
- 2) To download the contents of the *Memory Key except* zone numbering and sections [0501] to [0532], enter installer programming mode and then enter section [4010]. (Depending on the memory key, the labels may or may not be included.)
To download the contents of the Memory Key **including** zone numbering and sections [0501] to [0532], enter installer programming mode and then enter section [4011]. (Depending on the memory key, the labels may or may not be included.)
- 3) When the keypad emits a confirmation beep, remove the Memory Key.

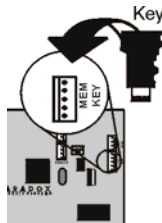
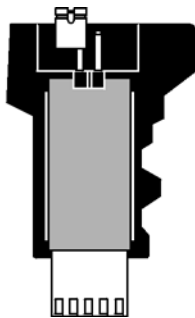
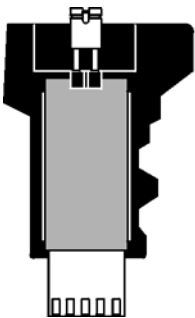


Figure 12: Using the Memory Key

Jumper ON =
Can copy and download
contents of the Memory Key

Jumper OFF =
Cannot override contents
of the Memory Key



3.3 Module Broadcast

Keypads and other modules can also be programmed easily by using Module Broadcast (see *section 13.16* on page 31). Once a module is programmed, its sections can be sent to other similar modules through the bus.

3.4 Programming Through a Keypad

Use the "EVO *Programming Guide*" to record how the sections were programmed. To enter programming mode:

1. Press and hold the [0] key.
2. Key in the [INSTALLER CODE] (default = 000000).
3. Key in the 4-digit [SECTION].
4. Key in required [DATA]. Refer to the "EVO Programming Guide" or to the corresponding sections in this manual.

For LCD Keypads: The control panel will save the data and go to the next section or press the [ENTER] key to save the data and go to the next section. Press the [CLEAR] key go to the preceding step or to erase the current data entry.

For Grafica Keypads: Press Grafica's center action key (**Save**) to save the data and go to the next section. Press the right action key (**Exit**) to go to the preceding step or press the left action key (**Clear**) to erase the current data.

3.4.1 Feature Select Programming

Most of the options are programmed using the Feature Select Method.

For LCD Keypads: The option is considered ON when the number appears within the brackets on the LCD keypad. Turn options ON and OFF by pressing the corresponding keys on the keypad and then press [ENTER] to save.

For Grafica Keypads: Select or clear the check boxes or set the options by pressing the corresponding keys on the keypad. The feature is considered ON when its check box is selected. Press the Grafica's center action key (**Save**) to save.

3.4.2 Decimal Programming

Sections may require 3-digit decimal values from 000 to 255.

3.4.3 Hexadecimal Programming

Sections may require Hexadecimal values from 0 to F. Press:

For LCD Keypads:

- | | | | |
|-------------|------------------------------|--------------|-----|
| [0] to [9] | = values 0 to 9 respectively | [DISARM] key | = D |
| [STAY] key | = A | [BYP] key | = E |
| [FORCE] key | = B | [MEM] key | = F |
| [ARM] key | = C | | |

For Grafica Keypads:

- | | |
|------------|---|
| [0] to [9] | = values 0 to 9 respectively |
| [#] | = A to F (press the key until the desired letter appears) |

3.5 Module Programming Mode

To program a Module with a keypad, enter Module Programming Mode:

1. Press and hold the [0] key.
2. Key in the [INSTALLER CODE] (default = 000000).
3. Key in section [4003].
4. Key in 8-digit [SERIAL NUMBER] of the module.
5. Key in 3-digit [SECTION] and required [DATA]. Refer to the "Module Programming Guide" for details.

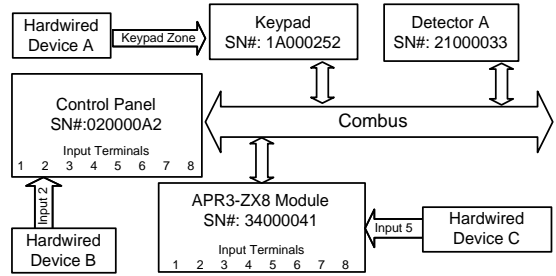
The control panel will redirect all programming to the selected module. To exit the Module Programming Mode, press the [CLEAR] key on LCD keypads, or the right action key (**Exit**) on Grafica keypads.

Zone Programming

Enter Section [0400], then enter the number of the zone you want to program

⚠ In any Zone Programming option, pressing [ACC] will save the data and go to the next zone on the same option screen. Pressing [TRBL] will save the data and go to the previous zone on the same option screen.

Enter the zone's 8-digit serial and 3-digit input number (The input number is not needed for module with only one input)



	Zone#	Section#	Serial#	Input#
Detector A:	1 =	[0001]	21000033	N/A
Hardwired Device A:	2 =	[0002]	1A000252	N/A
Hardwired Device B:	3 =	[0003]	020000A2	002
Hardwired Device C:	4 =	[0004]	34000041	005

Enter the zone's parameters (01) (*2****) default

Zone Definition	Partition	Zone Option
		1 2 3 4 5 6 7 8
0 - Disabled (default)	1 - Assigned to Partition 1 (default)	[1] Auto Zone Shutdown Enabled
1 - Entry Delay 1	2 - Assigned to Partition 2	[2] Bypass Enabled (default)
2 - Entry Delay 2	3 - Assigned to Partition 3	[3] Stay Zone
3 - Follow	4 - Assigned to Partition 4	[4] Force Zone
4 - Instant	5 - Assigned to Partition 5	[5] [6] Zone Alarm Type
5 - 24Hr Buzzer	6 - Assigned to Partition 6	off off Steady Alarm
6 - 24Hr Burglary	7 - Assigned to Partition 7	off on Pulsed Alarm
7 - 24Hr Hold-up	8 - Assigned to Partition 8	on off Silent Alarm
8 - 24Hr Gas		on on Report Only
9 - 24Hr Heat		[7] Intellizone
A - 24Hr Water		[8] Delay before Transmission
B - 24Hr Freeze		
C - Delayed 24Hr Fire		
D - Standard 24Hr Fire		
E - Stay Delay 1		
F - Stay Delay 2		

Enter the zone's report codes (00) (00) (00) (00) default

Alarm Report Code	Alarm Restore Report Code	Tamper Report Code	Tamper Restore Report Code
__ / __	__ / __	__ / __	__ / __
Ademco slow, Silent Knight fast, SESCOA, Ademco express or Pager formats: Key-in desired 2-digit hex values from 00 to FF.			
Ademco format:			
Use section [4032] to program a set of default Ademco report codes from the <i>Auto Report Code Programming</i> on page 26. Then to program the remaining report codes or to change some of the defaults, enter the individual sections and key-in the desired 2-digit hex value found in the <i>Appendix 2: Contact ID Report Code List</i> on page 42.			
SIA format:			
Use section [4032] to program a set of SIA report codes from the <i>Auto Report Code Programming</i> on page 26. Codes that have not been set to default can be set to default manually by entering FF in the appropriate section. To disable the reporting of an event, enter 00 in the appropriate section			

Enter the zone's label

Press [ENTER] to save and go to the next zone

Pressing [CLEAR] twice will exit the zone programming menus. Press [ENTER] before pressing clear to save your modifications.

4.1 Zone Programming

Two different methods can be used to program zones:

4.1.1 Using section [0400]

Allows you to program zones 001 through 192 as shown in the diagram on page 9.



In any Zone Programming option, pressing [ACC] will save the data and go to the next zone on the same option screen. Pressing [TRBL] will save the data and go to the previous zone on the same option screen.

4.1.2 Using zone serial and input numbers

If you are not using an EVO641 or an EVO641R keypad, you can only program zones 1 to 96 through sections [0001] to [0096].

Zone Number	Zone Numbering	Zone definitions	Zone Partition Assignment	Zone Options
1	[0001]	[0101]	[0201]	[0301]
2	[0002]	[0102]	[0202]	[0302]
	+1 per zone	+1 per zone	+1 per zone	+1 per zone
96	[0096]	[0196]	[0296]	[0396]

4.2 Zone Numbering

SECTION [0400]

SECTIONS [0001] TO [0096]

- To assign an addressable PIR or door contact to the combus, program the module's serial number into the section corresponding to the zone.
- To assign a detection device connected to a module or control panel's hardwired input terminal, program the module's or control panel's serial number and the input number to the desired zone. See the "Digiplex Modules Programming Guide" for details of its input numbers (input numbers not required for keypad zones).



If PGM1 is defined as a smoke detector input (see section 12.6 on page 29), the control panel will recognize it as input # 255.

4.2.1 Clearing a Zone's Numbering

Using section [0400]

- Enter the zone number you wish to delete.
- Press [0] all the way through the serial/input, parameters and report codes screen.
- Press [ENTER] to exit.

Using an LCD Keypad:

- Enter a section number between [0001] to [0096].
- Press [0] and then [ENTER] to save and exit.

Using a Grafica Keypad:

- Enter a section number between [0001] to [0096].
- Press [0] to clear the serial number.
- Highlight the input number and then press [0] to clear the data.
- Press Grafica's center action key (Save) to save and exit.

4.3 Zone Doubling (ATZ)

SECTION [3033]: OPTION [8]

(default = disabled) Fire Zones cannot be doubled.

Input	Doubled Zone Input
Input 01	Input 09 (ATZ of Input 01)
Input 02	Input 10 (ATZ of Input 02)
Input 03	Input 11 (ATZ of Input 03)
Input 04	Input 12 (ATZ of Input 04)
Input 05	Input 13 (ATZ of Input 05)
Input 06	Input 14 (ATZ of Input 06)
Input 07	Input 15 (ATZ of Input 07)
Input 08	Input 16 (ATZ of Input 08)

4.4 Zone Definitions

4.4.1 Zone Disabled

SECTION [0400]: FIRST DIGIT = 0

SECTIONS [0101] TO [0196]: FIRST DIGIT = 0

Disables the corresponding zone. Zones are disabled by default.

4.4.2 Entry Delays 1 and 2

SECTION [0400]: FIRST DIGIT = 1 AND 2

SECTIONS [0101] TO [0196]: FIRST DIGIT = 1 AND 2

(default Entry Delay 1 = 030, Entry Delay 2 = 060) A zone defined as Entry Delay 1 follows the Entry Delay 1 Timer of its assigned partition. A zone defined as Entry Delay 2 follows the Entry Delay 2 Timer of its assigned partition. Each partition includes two Entry Delay Timers. To program an Entry Delay Timer, key in the desired 3-digit delay value (001 to 255 seconds) into the corresponding section.

Partition 1 Entry Delay 1 Timer: [3111] Entry Delay 2 Timer: [3112]	Partition 2 Entry Delay 1 Timer: [3211] Entry Delay 2 Timer: [3212]
Partition 3 Entry Delay 1 Timer: [3311] Entry Delay 2 Timer: [3312]	Partition 4 Entry Delay 1 Timer: [3411] Entry Delay 2 Timer: [3412]
Partition 5 Entry Delay 1 Timer: [3511] Entry Delay 2 Timer: [3512]	Partition 6 Entry Delay 1 Timer: [3611] Entry Delay 2 Timer: [3612]
Partition 7 Entry Delay 1 Timer: [3711] Entry Delay 2 Timer: [3712]	Partition 8 Entry Delay 1 Timer: [3811] Entry Delay 2 Timer: [3812]



These are the same timers used for Stay Delay zones.

4.4.3 Follow Zones

SECTION [0400]: FIRST DIGIT = 3

SECTIONS [0101] TO [0196]: FIRST DIGIT = 3

The control panel waits until the end of the Entry Delay before generating an alarm if an Entry Delay zone opens before the Follow zone.

4.4.4 Instant Zones

SECTION [0400]: FIRST DIGIT = 4

SECTIONS [0101] TO [0196]: FIRST DIGIT = 4

When an armed Instant zone opens, the control panel immediately generates an alarm.

4.4.5 24Hr Buzzer Zones

SECTION [0400]: FIRST DIGIT = 5

SECTIONS [0101] TO [0196]: FIRST DIGIT = 5

Whenever a 24Hr Buzzer zone opens, the control panel activates the keypad buzzer to indicate that the zone was breached. The control panel will report the alarm, but will not enable the bell/siren output. Enter any valid access code on the keypad to stop the buzzer.



The keypads must be assigned to the same partition as the 24Hr Buzzer zone or the buzzer will not activate. UL Note: Not to be used for perimeter protection.

4.4.6 24Hr Burglary Zones

SECTION [0400]: FIRST DIGIT = 6

SECTIONS [0101] TO [0196]: FIRST DIGIT = 6

When a 24Hr Burglary zone opens, the control panel will immediately generate a burglary alarm.

4.4.7 24Hr Hold-up Zones

SECTION [0400]: FIRST DIGIT = 7

SECTIONS [0101] TO [0196]: FIRST DIGIT = 7

When a 24Hr Hold-up zone opens, the control panel will immediately generate an alarm.



The SIA FSK reporting format includes specific codes to identify the alarm as a Hold-up, Gas, Heat, Water, or Freeze Alarm.

4.4.8 24Hr Gas Zones*

SECTION [0400]: FIRST DIGIT = 8

SECTIONS [0101] TO [0196]: FIRST DIGIT = 8

When a 24Hr Gas zone opens, the control panel will immediately generate an alarm.

4.4.9 24Hr Heat Zones**

SECTION [0400]: FIRST DIGIT = 9

SECTIONS [0101] TO [0196]: FIRST DIGIT = 9

When a 24Hr Heat zone opens, the control panel will immediately generate an alarm.

**** UL Note:** UL Listed compatible devices must be used for UL systems. For UL Listed systems, this type of zone should be programmed as a pulsing Fire alarm.

4.4.10 24Hr Water Zones*

SECTION [0400]: FIRST DIGIT = A

SECTIONS [0101] TO [0196]: FIRST DIGIT = A

When a 24Hr Water zone opens, the control panel will immediately generate an alarm.

4.4.11 24Hr Freeze Zones*

SECTION [0400]: FIRST DIGIT = B

SECTIONS [0101] TO [0196]: FIRST DIGIT = B

When a 24Hr Freeze zone opens, the control panel will immediately generate an alarm.

*** UL Note:** UL Listed compatible devices must be used for UL systems. For UL Listed systems, this type of zone must be programmed as a silent auxiliary alarm.

4.4.12 Delayed 24Hr Fire Zone (Not to be used with UL Listed systems)

SECTION [0400]: FIRST DIGIT = C

SECTIONS [0101] TO [0196]: FIRST DIGIT = C

The Delayed 24Hr Fire Zone definition from *Figure 14* on page 12 is used in homes where a smoke detector often generates false alarms. A zone programmed as Fire becomes normally open and requires an EOL resistor.



The keypads must be assigned to the same partition as the Delayed 24Hr Fire zone for the buzzer to activate.

*** UL Warning:** For UL/ULC installations, a Fire zone cannot be bypassed and its alarm type must be Pulsed (audible).

4.4.13 Standard 24Hr Fire Zone

SECTION [0400]: FIRST DIGIT = D

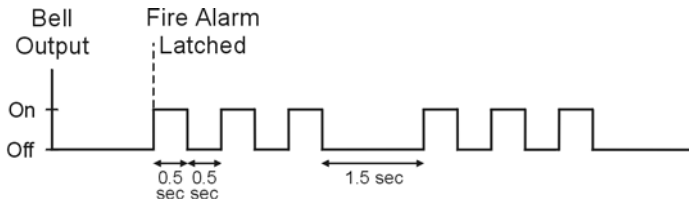
SECTIONS [0101] TO [0196]: FIRST DIGIT = D

A zone programmed as Fire becomes normally open and requires an EOL resistor. When a Standard 24Hr Fire Zone triggers, the control panel can:

- send a Zone Alarm report code (see *section 9.2.1* on page 22).
- send a Fire Loop Trouble Report (see *section 9.2.11* on page 23) if a tamper/wiring fault occurs on a Fire Zone. A "Zone Fault Trouble" will also appear in the keypad's Trouble Display.
- generate a Fire alarm, which can be silent, pulsed, steady or report only. Fire alarms generate an intermittent signal (see *Figure 13*).

*** UL Warning:** For UL/ULC installations, a Fire Zone cannot be bypassed and its alarm type must be Pulsed (audible).

Figure 13: Bell/Siren Output During Fire Alarm



4.4.14 Stay Delay Zone

SECTION [0400]: FIRST DIGIT = E AND F

SECTIONS [0101] TO [0196]: FIRST DIGIT = E AND F

Using the Regular or Force arming methods, the control panel processes the zone as an Instant zone (see *section 4.4.4* on page 10). Using the Stay or Instant arming methods and the zone is triggered, the control panel will not generate an alarm until the programmed Stay Delay elapses. A zone defined as Stay Delay 1 follows the Entry Delay 1 Timer of its assigned partition. A zone defined as Stay Delay 2 follows the Entry Delay 2. To program the Entry Delay Timers, refer to *Entry Delays 1 and 2* on page 10.

4.5 Zone Partition Assignment

SECTION [0400]: SECOND DIGIT = 1 TO 8

SECTIONS [0101] TO [0196]: SECOND DIGIT = 1 TO 8

Assign zones to one partition.

4.6 Zone Options

The zone options from are described below. Refer to the EVO programming guide for additional information on Zone Programming.

4.6.1 Auto Zone Shutdown

SECTION [0400]: OPTION [1]

SECTIONS [0101] TO [0196]: OPTION [1]

(default = 000) When enabled, the control panel will stop generating alarms once the Auto Zone Shutdown Limit is reached. It resets every time the partition that is assigned to the corresponding zone is armed. To program the Auto Zone Shutdown Limit, enter the desired 3-digit counter (000 to 015) into section corresponding to the desired partition (000 = disabled):

Partition 1: [3114]	Partition 5: [3514]
Partition 2: [3214]	Partition 6: [3614]
Partition 3: [3314]	Partition 7: [3714]
Partition 4: [3414]	Partition 8: [3814]

4.6.2 Bypass Zones

SECTION [0400]: OPTION [2]

SECTIONS [0101] TO [0196]: OPTION [2]

(default = enabled) Allow zones to be Manually Bypassed.

4.6.3 Stay Zones

SECTION [0400]: OPTION [3]

SECTIONS [0101] TO [0196]: OPTION [3]

Only zones with option [3] enabled will be bypassed when the partition is Stay armed or Instant armed. All other zones will remain activated. Fire Zones cannot be set as Stay Zones.

4.6.4 Force Zones (Not to be used with UL Listed systems)

SECTION [0400]: OPTION [4]

SECTIONS [0101] TO [0196]: OPTION [4]

Only zones with option [4] enabled can be bypassed when the partition is Force armed. Fire Zones cannot be Force Zones.

4.6.5 Alarm Types

SECTION [0400]: OPTION [2] & [6]

SECTIONS [0101] TO [0196]: OPTIONS [5] & [6]

Option	Feature	Description
[5]	[6]	
OFF	OFF	Steady Alarm sends the report code and activates the bell output
ON	OFF	Pulsed Alarm sends the report code and pulses the bell output (see Figure 14)
OFF	ON	Silent Alarm sends the report code, but the bell output is not activated. Partition must be disarmed.
ON	ON	Report Only sends the report code. Disarming is not required.

4.6.6 Intellizone*


SECTION [0400]: OPTION [7]

SECTIONS [0101] TO [0196]: OPTION [7]

(default = 032) If an alarm condition occurs on a zone with option [7] enabled, the control panel triggers the Intellizone Delay. Fire Zones cannot be set as Intellizones. An alarm will only be generated if the selected conditions occur during the Intellizone Delay:

1. An alarm occurs on another zone defined as Intellizone.
2. The zone in alarm restores and reoccurs.
3. The zone stays in alarm for the entire Intellizone Delay.

Key in the desired 3-digit delay value (010 to 255 seconds, default value is 32 seconds) into the section corresponding to the desired partition

 Any value less than 10 seconds will be replaced by the default value of 32 seconds.

Partition 1: [3110]	Partition 3: [3310]	Partition 5: [3510]	Partition 7: [3710]
Partition 2: [3210]	Partition 4: [3410]	Partition 6: [3610]	Partition 8: [3810]

* **UL Note:** For UL Listed systems, the detection pattern of both zones must be installed so that each zone has the capability of protecting the area alone.

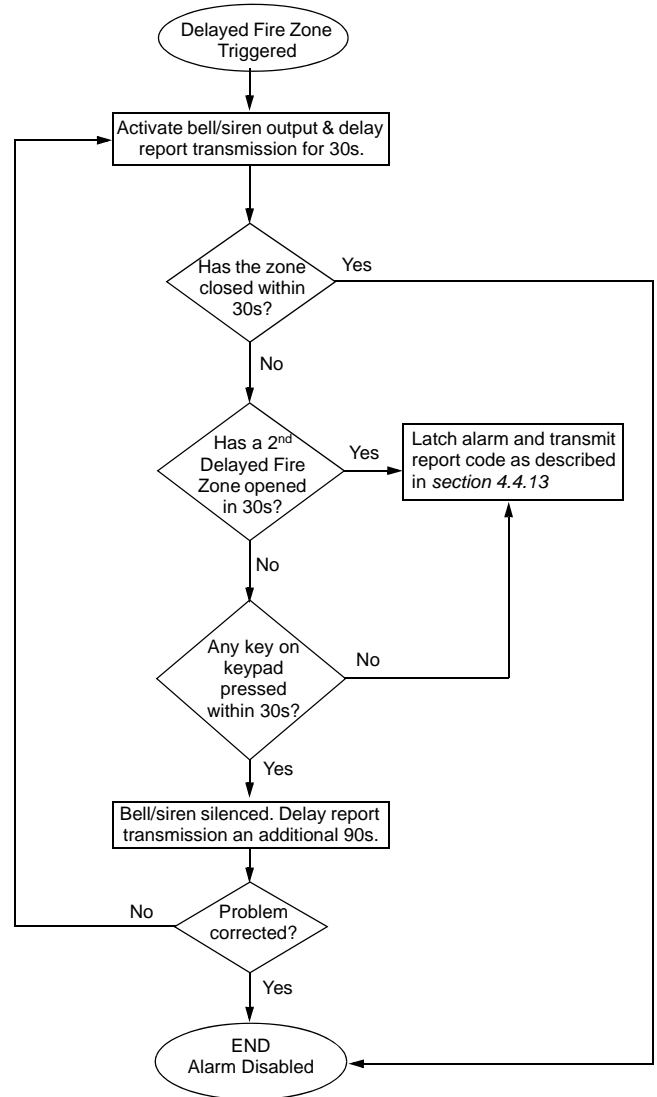
4.6.7 Intellizone Options

Use these options to enable or disable different Intellizone related options.

Partition 1: [3126]	Partition 3: [3326]	Partition 5: [3526]	Partition 7: [3726]
Partition 2: [3226]	Partition 4: [3426]	Partition 6: [3626]	Partition 8: [3826]

Option	Description
[1]	Intellizone Delay (default = disabled) The zone stays in alarm for the entire Intellizone Delay.
[2]	Intellizone Double Knockout and Zone Crossing (default = disabled) The zone in alarm restores and reoccurs or an alarm occurs on another zone defined as Intellizone
[3]	Intellizone Zone Crossing (default = disabled) An alarm occurs on another zone defined as Intellizone.
[5]	Police Code is Generated on Zone Crossing Only (default = disabled)

Figure 14: Delayed 24Hr Fire Zone



4.6.8 Delay Before Alarm Transmission

SECTION [0400]: OPTION [8]

SECTIONS [0101] TO [0196]: OPTION [8]

(default = 000) When an alarm condition occurs on a zone with option [8] enabled, the alarm will not be reported to the monitoring station until the end of the Alarm Transmission Delay. Disarming the system cancels any report originating from this zone. To program the Alarm Transmission Delay, access section [3055].

4.7 Input Speed

(001 to 255 X 30msec, default = 600ms)

The Input Speed defines how quickly the control panel responds to an open zone detected on any hardwired input terminal (does not apply to addressable motion detectors and door contacts). Set the Input Speed (001 to 255 X 30ms, default = 600ms):

[0961]	Input 01	[0973]	Input 13 (ATZ of Input 01)
[0962]	Input 02	[0974]	Input 14 (ATZ of Input 02)
[0963]	Input 03	[0975]	Input 15 (ATZ of Input 03)
[0964]	Input 04	[0976]	Input 16 (ATZ of Input 04)
[0965]	Input 05	[0977]	Input 13 (ATZ of Input 01)
[0966]	Input 06	[0978]	Input 14 (ATZ of Input 02)
[0967]	Input 07	[0979]	Input 15 (ATZ of Input 03)
[0968]	Input 08	[0980]	Input 16 (ATZ of Input 04)

4.8 EOL on Hardwire Zones

SECTION [3033]: OPTION [7]

(default = **disabled**) If detection devices connected to hardwired input terminals use 1k Ω end of line resistors, enable option [7] in section [3033]. For details on using EOL resistors, refer to *Addressable Zone Connections* on page 5 and *Double Zone Connections* on page 6.

4.9 Keypad Numbering

SECTIONS [2801] TO [2832]

Keypad Numbering identifies the keypad in the event buffer. The keypad is assigned to a Keypad Number from 1 to 32 through the keypad's serial number in sections [2801] to [2832].

Remote Control Programming

5.1 Hardware Requirements

If the EVO48 System Includes:

MG-RTX3 Wireless Expansion Module **And** EVO641 / EVO641R keypad
Up to 96 remote controls can now be programmed into the EVO control panel and configured using a master code or installer code.

If the EVO192 System Includes:

MG-RTX3 Wireless Expansion Module **And** EVO641 / EVO641R keypad
Up to 999 remote controls can now be programmed into the EVO control panel and configured using a master code or installer code.

If the System Includes:

MG-RTX3 Wireless Expansion Module **But does not include:** EVO641 / EVO641R keypad. Remote controls must be stored in the wireless expansion module (32 remotes per MG-RTX3) by enabling option [1] in section [3029].

[2911]	Template 12	(__)	(__)
[2912]	Template 13	(__)	(__)
[2913]	Template 14	(__)	(__)
[2914]	Template 15	(__)	(__)

	Button 1	Button 2	Button 3	Button 2+3	Disarm
MG-REM1					
MG-REM2					
Default (1 B) (C 0)	Regular Arm	Utility Key 1	Utility Key 2	Disabled	Disarm: cannot be modified

5.2 Remote Control Template

It is possible to set up to 16 different button templates which can then be assigned to individual users. Each user is pre-programmed with a default remote control button pattern: (1 B) (C 0) (template 1).

Section	Option	Description
[2940]	Default button Template	To select a button template as the default template, enter (00) to (15) representing button templates in sections [2900] to [2915].
[2941]	Assign Button Template	To assign a button template to a user, select user when prompted, then enter (00) to (15) representing button templates in sections [2900] to [2915].

Table 3: Template Entries

Entry	Function	Entry	Function
[0]	Button Disabled	[8]	Panic 1
[1]	Regular Arm	[9]	Panic 2
[2]	Stay Arm	A = [stay]	Panic 3
[3]	Instant Arm	B = [force]	Utility Key 1
[4]	Force Arm	C = [arm]	Utility Key 2
[5]	N/A	D = [disarm]	Utility Key 3
[6]	N/A	E = [byp]	Utility Key 4
[7]	N/A	F = [mem]	N/A

Section	Template#	Button	Options
[2900]	Template 1	(__)	(__)
[2901]	Template 2	(__)	(__)
[2902]	Template 3	(__)	(__)
[2903]	Template 4	(__)	(__)
[2904]	Template 5	(__)	(__)
[2905]	Template 6	(__)	(__)
[2906]	Template 7	(__)	(__)
[2907]	Template 8	(__)	(__)
[2908]	Template 9	(__)	(__)
[2909]	Template 10	(__)	(__)
[2910]	Template 11	(__)	(__)

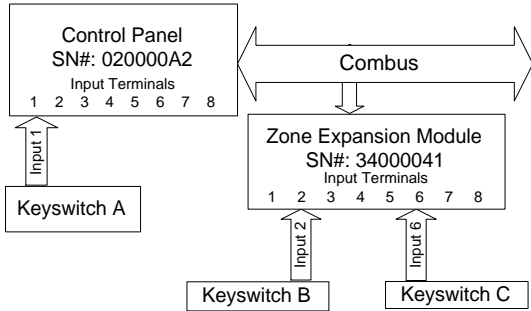
Keyswitch Programming

6.1 Keyswitch Numbering

SECTIONS [0501] TO [0532]

Keyswitch Numbering allows you to assign any hardwired input in the system to any of the 32 keyswitch zones in the control panel (see *Figure 15*). **UL Note:** Do not use Keyswitches in UL Listed systems.

Figure 15: Example of Keyswitch Numbering



Keyswitch	Zone #	Section	Serial#	Input#
Keyswitch A:	1 =	[0501]	020000A2	001
Keyswitch B:	2 =	[0502]	34000041	002
Keyswitch C:	3 =	[0503]	34000041	006

6.2 Keyswitch Definitions

Keyswitch Definitions determine how a keyswitch is used.

6.2.1 Keyswitch Disabled

SECTIONS [0601] TO [0632]: FIRST DIGIT = 0

Disables keyswitch input.

6.2.2 Momentary Keyswitch

SECTIONS [0601] TO [0632]: FIRST DIGIT = 1

To arm or disarm a partition using the Momentary Keyswitch, turn on the keyswitch for three seconds then turn it off.

6.2.3 Maintained Keyswitch

SECTIONS [0601] TO [0632]: FIRST DIGIT = 2

To arm a partition using the Maintained Keyswitch, turn the switch from the ON to the OFF position. Disarm it by setting the key on the ON position.

6.2.4 Generates a Utility Key Event on Open

SECTIONS [0601] TO [0632]: FIRST DIGIT = 3

To program a keyswitch to generate a Utility Key Event:

1. Program the Activation Event of a PGM output with the *Utility Key* Event corresponding to the desired keyswitch (see *PGM Programming Table* in the "EVO Programming Guide": Event Group 048).
2. Enable option [3] in the section corresponding to the desired keyswitch.

6.2.5 Generates a Utility Key Event on Open and Close

SECTIONS [0601] TO [0632]: FIRST DIGIT = 4

A Utility Key Event can be generated whenever the keyswitch input is opened or closed. The Utility Key Events increase from 32 to 64 events; one event for each state.

When a keyswitch is defined with the Generate a Utility Key Event on Open and Close option, the Keyswitch Partition Assignment and Keyswitch Options are disabled. To program a keyswitch to generate a Utility Key Event:

1. Program the Activation Event of a PGM output with the *Utility Key* Event corresponding to the desired keyswitch (see *PGM Programming Table* in the "EVO Programming Guide": Event Group 048).

2. Enable option [4] in the section corresponding to the desired keyswitch.

6.3 Keyswitch Partition Assignment

SECTIONS [0601] TO [0632]: SECOND DIGIT = 1 TO 8

Each keyswitch must be assigned to one partition.

6.4 Keyswitch Options

Each keyswitch zone can be programmed with one or more options.

6.4.1 Disarm Only

SECTIONS [0601] TO [0632]: OPTION [3]

When enabled, the keyswitch can only disarm assigned partitions. The type of disarming is determined by the other Keyswitch Options selected.

6.4.2 Stay/Instant Disarm Option (Keyswitch)

SECTIONS [0601] TO [0632]: OPTION [4]

When enabled, the keyswitch can only disarm assigned Stay or Instant armed partitions. When option [4] is disabled, the keyswitch can disarm partitions armed using any arming method.

6.4.3 Arm Only (Keyswitch)

SECTIONS [0601] TO [0632]: OPTION [5]

When enabled, the keyswitch can only arm assigned partitions. The type of arming is determined by the other Keyswitch Options selected.

6.4.4 Regular Arming (Keyswitch)

SECTIONS [0601] TO [0632]: OPTION [6] TO [8]

With disabled, the arming option will be Regular arming.

6.4.5 Stay Arming (Keyswitch)

SECTIONS [0601] TO [0632]: OPTION [6]

Activating the keyswitch will Stay Arm the partition.

6.4.6 Force Arming (Keyswitch)

SECTIONS [0601] TO [0632]: OPTION [7]

Activating the keyswitch will force arm the selected partition.

6.4.7 Instant Arming (Keyswitch)

SECTIONS [0601] TO [0632]: OPTION [8]

This option is identical to Stay arming except that all armed zones will become Instant Zones (see *section 4.4.4* on page 10).



Only one of the arming options (Stay, Force, Instant and Regular) can be selected.

Arming and Disarming Options

7.1 Arming Follows Partition

(default = **disabled**) A partition can be set to follow the arming and disarming status of one or more partitions.

Section:	Partition arms & disarms with:
Partition 1: [3121]	Option [1] = Partition 1
Partition 2: [3221]	Option [2] = Partition 2
Partition 3: [3321]	Option [3] = Partition 3
Partition 4: [3421]	Option [4] = Partition 4
Partition 5: [3521]	Option [5] = Partition 5
Partition 6: [3621]	Option [6] = Partition 6
Partition 7: [3721]	Option [7] = Partition 7
Partition 8: [3821]	Option [8] = Partition 8

7.2 Trouble Latch

SECTION [3033]: OPTION [6]

With the Trouble Latch feature disabled, when a trouble occurs and is corrected, the trouble is automatically cleared and no longer displayed. With the Trouble Latch feature enabled, the trouble will remain displayed until it is manually cleared by the user. To clear the trouble, the user must enter the trouble display and then exit the trouble display. For LCD and LED keypads, press [CLEAR] to exit. For Grafica keypads, press the left action key (Back) to exit.



Only troubles that have been corrected can be cleared. If a trouble has not been corrected, it will continue to be displayed even if the user tries to clear the trouble by using the method described above.

7.3 Restrict Arming on Supervision Loss

SECTION [3034]: OPTION [4]

(default = **disabled**) When enabled, arming is restricted if a supervision loss signal from the Magellan Wireless System MG-RTX3 is received.

7.4 Restrict Arming on Tamper

SECTION [3034]: OPTION [8]

(default = **disabled**) When enabled, the control panel prevents arming if it detects a tamper on a zone or module (see section 8.5 on page 19). Partitions will not arm until the Installer Code is entered and the tamper trouble conditions are corrected.

7.5 Restrict Arming on AC Failure

SECTION [3035]: OPTION [1]

(default = **disabled**) When enabled, the control panel prevent arming if it detects a loss of AC power.

7.6 Restrict Arming on Battery Failure

SECTION [3035]: OPTION [2]

(default = **disabled**) When enabled, the control panel prevents arming if it detects a battery loss or if the battery voltage is less than 10.5V.

7.7 Restrict Arming on Bell or Auxiliary Failure

SECTION [3035]: OPTION [3]

(default = **disabled**) When enabled, the control panel prevents arming if:

- the bell or siren is disconnected
- the Bell Output has exceeded its current limits
- the Auxiliary Outputs have exceeded their current limits

7.8 Restrict Arming on TLM Failure

SECTION [3035]: OPTION [4]

(default = **disabled**) When enabled, the control panel can prevent arming if it is unable to access the telephone line.

7.9 Restrict Arming on Module Troubles

SECTION [3035]: OPTION [5]

(default = **disabled**) When is enabled, the control panel uses the same Restrict Arming options for the modules connected to the combus.

7.10 Timed Auto-Arming

(default = **disabled**) The control panel arms the selected partition every day at the time set (see section 7.10.1). A 60-second Exit Delay (default value) triggers before the partition arms. It can be cancelled or postponed by entering a valid access code. If zones are open, the control panel arms the partition and considers all open zones as temporarily bypassed (except 24hr. zones). The control panel transmits the *Auto-Arming* report code programmed in section [3910]. The control panel will transmit the *Late to Close* report code programmed in section [3912]. Enable option [1] in the desired section:

Partition 1: [3122]	Partition 3: [3322]	Partition 5: [3522]	Partition 7: [3722]
Partition 2: [3222]	Partition 4: [3422]	Partition 6: [3622]	Partition 8: [3822]

7.10.1 Auto-Arm Timer

Enter the time when the partition should arm in the desired section:

Partition 1: [3101]	Partition 3: [3301]	Partition 5: [3501]	Partition 7: [3701]
Partition 2: [3201]	Partition 4: [3401]	Partition 6: [3601]	Partition 8: [3801]

7.10.2 Postpone Auto-Arming

(default = **000**) It is possible to postpone auto-arming for a preset amount of time by entering a valid user code during the exit delay. The delay is set by entering a number between 001 and 255 in the appropriate section. That number represents for how many increments of 15 minutes the arming will be postponed.

Partition 1: [3120]	Partition 3: [3320]	Partition 5: [3520]	Partition 7: [3720]
Partition 2: [3220]	Partition 4: [3420]	Partition 6: [3620]	Partition 8: [3820]

7.11 No Movement Auto-Arming

(default = **disabled**) If no movement occurs in a partition for the specified period, the control panel will automatically arm that partition. The Auto-Arming Option determines the arming method (see section 7.12). The control panel will transmit the *No Movement* report code programmed in section [3913] upon arming. The control panel will always transmit the *Late to Close* report code [3912]. Enable option [2] in the desired section:

Partition 1: [3122]	Partition 3: [3322]	Partition 5: [3522]	Partition 7: [3722]
Partition 2: [3222]	Partition 4: [3422]	Partition 6: [3622]	Partition 8: [3822]

7.11.1 No Movement Timer

(default = **000**) Select the section corresponding to the desired partition and program the time without movement necessary before the control panel will arm and/or send the *No Movement* report code. If No Movement Auto-Arming is disabled, the control panel can still send the *No Movement* report code. Enter the time period (001 to 255 x 5 minutes, 000 = disabled) when the partition should arm in the desired section:

Partition 1: [3107]	Partition 3: [3307]	Partition 5: [3507]	Partition 7: [3707]
Partition 2: [3207]	Partition 4: [3407]	Partition 6: [3607]	Partition 8: [3807]

7.11.2 No Movement Schedule

It is possible to program the No-movement arming option for each partition to follow a schedule. These schedules, which function like access schedules, will ensure that No-Movement arming only occurs during these specified periods and not at any moment when there is no movement.

When option [8] is enabled, access is permitted during the programmed holidays (see section 15.8 on page 36).

No Movement Schedule

Partition 1: [3131]	Partition 3: [3331]	Partition 5: [3531]	Partition 7: [3731]
Partition 2: [3231]	Partition 4: [3431]	Partition 6: [3631]	Partition 8: [3831]

Option	Day	Option	Day
[1]	Sunday (S)	[5]	Thursday (T)
[2]	Monday (M)	[6]	Friday (F)
[3]	Tuesday (T)	[7]	Saturday (S)
[4]	Wednesday (W)	[8]	Holidays (H)

7.12 Auto-Arming Options

(default = **disabled**) When using the Auto-Arming features (see section 7.10 and section 7.11), the control panel can Force arm or Stay arm the partitions. To Auto-Arm using Stay arming, enable option [3] in the desired section:

Partition 1: [3122]	Partition 3: [3322]	Partition 5: [3522]	Partition 7: [3722]
Partition 2: [3222]	Partition 4: [3422]	Partition 6: [3622]	Partition 8: [3822]

7.13 Switch To Stay Arming

If no Entry Delay zones are opened and closed during the Exit Delay after Regular arming a partition, the control panel can switch from Regular arming to Stay arming. Enable the option in the desired section:

Partition 1: [3121] Option [1]	Partition 5: [3521] Option [5]
Partition 2: [3221] Option [2]	Partition 6: [3621] Option [6]
Partition 3: [3321] Option [3]	Partition 7: [3721] Option [7]
Partition 4: [3421] Option [4]	Partition 8: [3821] Option [8]

7.14 Always Force Arm when Regular Arming

(default = **disabled**) When enabled for a particular partition, the system will Force arm that partition whenever Regular or Force arming is activated. Stay and Instant arming are not affected by this feature. An event will be generated for every zone bypassed in that manner. Another event will be generated when the zone will be closed. Enable option [8] in the desired section:

Partition 1: [3123]	Partition 3: [3323]	Partition 5: [3523]	Partition 7: [3723]
Partition 2: [3223]	Partition 4: [3423]	Partition 6: [3623]	Partition 8: [3823]

7.15 Auto Force on Stay Arming

(default = **disabled**) When enabled for a particular partition, the system will Force arm that partition whenever Stay arming is activated. An event will be generated for every zone bypassed in that manner. Another event will be generated when the zone will be closed. Enable option [4] in the desired section:

Partition 1: [3126]	Partition 3: [3326]	Partition 5: [3526]	Partition 7: [3726]
Partition 2: [3226]	Partition 4: [3426]	Partition 6: [3626]	Partition 8: [3826]

7.16 Follow Zone Switches to Entry Delay 2

(default = **enabled**) When enabled and an Entry Delay zone is bypassed, an armed Follow Zone (see section 4.4.3 on page 10) that opens without an Entry Delay being triggered will switch to the partition's Entry Delay 2. Enable option [8] in the desired section:

Partition 1: [3122]	Partition 3: [3322]	Partition 5: [3522]	Partition 7: [3722]
Partition 2: [3222]	Partition 4: [3422]	Partition 6: [3622]	Partition 8: [3822]

7.17 One-Touch Features

(default = **disabled**) The One-Touch features can arm or disarm a partition, access Bypass Programming, or display the Event Buffer by pressing and holding a specific key for 2 seconds instead of entering an access code. If the keypad is assigned to more than one partition, the feature must be enabled in the corresponding partitions. Select the section corresponding to the desired partition and enable or disable the desired options:

Partition 1: [3125]	Partition 3: [3325]	Partition 5: [3525]	Partition 7: [3725]
Partition 2: [3225]	Partition 4: [3425]	Partition 6: [3625]	Partition 8: [3825]

Option	One-Touch Feature	One-Touch Key
[1]	Regular Arming	[ARM]
[2]	Stay Arming	[STAY]
[3]	Instant Arming	[5]
[4]	Force Arming	[FORCE]
[5]	Stay/Instant Disarming	[DISARM]
[6]	Bypass Programming	[BYP]
[7]	Event Record Display	[7]

7.18 Exit Delay

(default = **060**) The Exit Delay is the amount of time users have to leave the protected area before arming. It applies to all zones, except 24Hr Zones. Program the Exit Delay from 001 to 255 seconds:

Partition 1: [3108]	Partition 3: [3308]	Partition 5: [3508]	Partition 7: [3708]
Partition 2: [3208]	Partition 4: [3408]	Partition 6: [3608]	Partition 8: [3808]

7.18.1 Exit Delay Termination

(default = **enabled**) The control panel can reduce the Exit Delay to 7 seconds when an Entry Delay zone is opened and closed during the delay. Enable option [4] in the desired section:

Partition 1: [3122]	Partition 3: [3322]	Partition 5: [3522]	Partition 7: [3722]
Partition 2: [3222]	Partition 4: [3422]	Partition 6: [3622]	Partition 8: [3822]

7.18.2 No Exit Delay on Remote Arm

(default = **enabled**) When a user arms by using a remote control from the Magellan Wireless System (MG-RTX3), the control panel will cancel the Exit Delay and immediately arm the partition. Enable option [8] in the desired section:

Partition 1: [3125]	Partition 3: [3325]	Partition 5: [3525]	Partition 7: [3725]
Partition 2: [3225]	Partition 4: [3425]	Partition 6: [3625]	Partition 8: [3825]

7.18.3 Special Arming Exit Delay

(default = **060**) This allows to set an exit delay in seconds for a special arming. Special arming are any arming that do happen without interacting with a keypad (i.e.: scheduled arming, keyswitch arming, WinLoad arming, no movement arming, etc.)

Partition 1: [3130]	Partition 3: [3330]	Partition 5: [3530]	Partition 7: [3730]
Partition 2: [3230]	Partition 4: [3430]	Partition 6: [3630]	Partition 8: [3830]

7.19 Keypad Lock-out Feature

(default = **005**) If a consecutive number of invalid codes are entered into a keypad, the control panel can be set to lockout access from all the keypads in the partition for a specified period. Program the number of consecutive invalid codes from 001 to 255 (000 = disabled) into the desired section:

Partition 1: [3105]	Partition 3: [3305]	Partition 5: [3505]	Partition 7: [3705]
Partition 2: [3205]	Partition 4: [3405]	Partition 6: [3605]	Partition 8: [3805]

(default = **015**) Program the duration of the keypad lockout from 001 to 255 minutes into the desired section. Programming 000 into these sections will not lockout the keypad, the control panel will transmit the Keypad Lockout report code programmed in section **[3937]**.

Partition 1: [3106]	Partition 3: [3306]	Partition 5: [3506]	Partition 7: [3706]
Partition 2: [3206]	Partition 4: [3406]	Partition 6: [3606]	Partition 8: [3806]

7.20 Bell Squawk

The control panel can activate the bell output briefly causing the bell or siren to squawk to alert users that a partition is being armed, disarmed or that an Entry or Exit Delay was triggered. Enable or disable the desired option (off = disabled):

Partition 1: [3124]	Partition 3: [3324]	Partition 5: [3524]	Partition 7: [3724]
Partition 2: [3224]	Partition 4: [3424]	Partition 6: [3624]	Partition 8: [3824]

Option	Bell Squawk on:	Description
[1]	Disarming	Emits 2 squawks upon disarming (default = disabled)
[2]	Arming	Emits 1 squawk upon arming (default = disabled)
[3]	Auto-Arming	Emits 1 squawk every second for 60s before Auto-Arming a partition. Emits a series of 3 squawks every second for 10s before arming (default = disabled)
[4]	Exit Delay	Emits 1 squawk every second during the Exit Delay. Emits a series of 3 squawks every second during the final 10 seconds of the Exit Delay (default = disabled)
[5]	Entry Delay	Emits 1 squawk every second during the Entry Delay (default = disabled)
[6]	Remote Arming/Disarming	Emits 1 squawk upon arming and 2 squawks upon disarming with a remote control (using the Magellan Wireless System, MG-RTX3 (default = enabled)

7.21 Ring-back

After disarming the system, the control panel can warn the user that there was an alarm and that it may be dangerous to enter by having the keypad beep 10 times and/or by squawking the bell 10 times. The user should leave immediately and contact the monitoring station from a secure location. Select the section that corresponds to the desired partition and enable or disable the desired option (off = disabled) (default = **disabled**):

Partition 1: [3124]	Partition 3: [3324]	Partition 5: [3524]	Partition 7: [3724]
Partition 2: [3224]	Partition 4: [3424]	Partition 6: [3624]	Partition 8: [3824]

[7]	Bell Ring-back	Bell or siren emits 10 squawks
[8]	Keypad Ring-back	Keypad emits 10 beeps

7.22 Maximum Bypass Entries

(default = **000**) The Maximum Bypass Entries feature limits the number of zones that can be bypassed in each partition. Enter any value between 001 and 096 (000 = no limit).

Partition 1: [3115]	Partition 3: [3315]	Partition 5: [3515]	Partition 7: [3715]
Partition 2: [3215]	Partition 4: [3415]	Partition 6: [3615]	Partition 8: [3815]

7.23 Display "Bypass" If Armed

SECTION **[3033]**: OPTION **[5]**

(default = **enabled**) When enabled, the keypads will not display that zones have been bypassed while the system is armed.

Alarm Options

8.1 Bell/alarm Output

(default = **only option [1] enabled**) When an alarm condition is detected in a partition, the control panel can trigger the on-board BELL output enabling any bells or sirens connected to it. In section [3032] enable the option to enable the bell output in the desired partition (off = disabled):

Partition 1: Option [1]	Partition 5: Option [5]
Partition 2: Option [2]	Partition 6: Option [6]
Partition 3: Option [3]	Partition 7: Option [7]
Partition 4: Option [4]	Partition 8: Option [8]

8.2 Bell Cut-off Timer

(default = **004**) After an audible alarm, the bell or siren will stop once the partition is disarmed or when the Bell Cut-Off Timer has elapsed. Enter any value between 001 and 255 minutes:

Partition 1: [3113]	Partition 3: [3313]	Partition 5: [3513]	Partition 7: [3713]
Partition 2: [3213]	Partition 4: [3413]	Partition 6: [3613]	Partition 8: [3813]

8.2.1 No Bell Cut-Off on Fire Alarm

SECTION [3030]: OPTION [2]

(default = **disabled**) The control panel can disable the Bell Cut-Off Timers when alarms are generated from zones defined as Standard or Delayed Fire Zones (see section 4.4 on page 10). The BELL output will remain enabled until a user disarms the partition in alarm.

8.2.2 Recycle Alarm Rate

(default = **000**) The control panel re-verifies the zone status during an alarm at a programmed rate once the Bell Cut-Off Timer and the Recycle Delay elapse. If open zones remain, the control panel will regenerate the alarm. Enter the number of times from 001 to 255 (000 = no limit) in one armed period that the control panel will re-verify the zone status:

Partition 1: [3117]	Partition 3: [3317]	Partition 5: [3517]	Partition 7: [3717]
Partition 2: [3217]	Partition 4: [3417]	Partition 6: [3617]	Partition 8: [3817]

8.2.3 Recycle Delay


(default = **000**) The Recycle Delay is the amount of time the control panel will wait after the Bell Cut-off occurs before re-verifying the zone status. Program the Recycle Delay from 001 to 255 minutes (000 = disabled):

Partition 1: [3116]	Partition 3: [3316]	Partition 5: [3516]	Partition 7: [3716]
Partition 2: [3216]	Partition 4: [3416]	Partition 6: [3616]	Partition 8: [3816]

8.3 Wireless Transmitter Supervision Options

SECTION [3034]: OPTIONS [1] AND [2]

When the control panel detects a Supervision Loss, the control panel can generate an alarm and/or trouble, unless the Wireless Transmitter Supervision Option is disabled.

 The Supervision feature must be enabled in the Magellan Wireless System (MG-RTX3) for this feature to function.

[1]	[2]	Description
OFF	OFF	Disabled (default): Displays zone open on the keypads, but will not generate an alarm or trouble. <i>Not permitted on UL systems.</i>
OFF	ON	Generates Trouble Only (when armed or disarmed): The control panel displays <i>Zone Fault</i> in the Trouble Display and transmits the defined report code (see section 9.2 on page 22).

ON	OFF	When disarmed: Generates Trouble Only The control panel displays <i>Zone Fault</i> in the Trouble Display and transmits the defined report code (see section 9.2 on page 22). When armed: Follows Zone Alarm Type The control panel follows the zone's alarm type (see section 4.6.5 on page 12).
ON	ON	When disarmed: Generates Audible Alarm The control panel displays <i>Zone Fault</i> in the Trouble Display, transmits the defined report code (see section 9.2 on page 22), and generates an audible alarm. When armed: Follows Zone Alarm Type The control panel follows the zone's alarm type (see section 4.6.5 on page 12).

8.3.1 Supervision Bypass Options

SECTION [3034]: OPTION [3]

(default = **disabled**) When enabled in section [3034], the Wireless Transmitter Supervision Options will follow the zone's bypass definition. The control panel will not perform any action if a supervision loss occurs on a bypassed zone. When disabled, it will ignore the bypass definition and will follow the option set in section 8.3.

8.4 Police Code Timer

(default = **000**) If an alarm condition occurs on a zone, the control panel generates an alarm and triggers the Police Code Timer. The Police Code programmed in [3934] will only be sent if one of the following conditions occurs during the delay:

1. An alarm occurs on another zone.
2. The zone in alarm restores and reoccurs.

Key in the desired 3-digit delay value (001 to 255 minutes, 000 = disabled) into the section corresponding to the desired partition:

Partition 1: [3118]	Partition 3: [3318]	Partition 5: [3518]	Partition 7: [3718]
Partition 2: [3218]	Partition 4: [3418]	Partition 6: [3618]	Partition 8: [3818]

Refer to *Intellizone Options* on page 12 to set it up so that a police code is only generated on Zone Crossing.

8.5 Tamper Recognition Options

SECTION [3034]: OPTIONS [5] AND [6]

When the control panel detects a tamper or wire fault on a zone or on an expansion module, the control panel can generate an alarm and/or trouble, as shown in the table below.

[5]	[6]	Description
OFF	OFF	Disabled (default): Displays zone open on the keypads, but will not generate an alarm or trouble. <i>Not permitted on UL systems.</i>
OFF	ON	Generates Trouble Only (when armed or disarmed): The control panel displays <i>Zone Fault</i> in the Trouble Display and transmits the defined report code (see section 9.2 on page 22).
ON	OFF	When disarmed: Generates Trouble Only The control panel displays <i>Zone Fault</i> in the Trouble Display and transmits the defined report code (see section 9.2 on page 22). When armed: Follows Zone Alarm Type The control panel follows the zone's alarm type (see section 4.6.5 on page 12).
ON	ON	When disarmed: Generates Audible Alarm The control panel displays <i>Zone Fault</i> in the Trouble Display, transmits the defined report code (see section 9.2 on page 22), and generates an audible alarm. When armed: Follows Zone Alarm Type The control panel follows the zone's alarm type (see section 4.6.5 on page 12).

8.5.1 Tamper Bypass Options



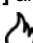
SECTION [3034]: OPTION [7]

(default = **enabled**) When enabled in section [3034], the control panel will ignore the zone's bypass definition and will follow the option set in *section 8.5* (page 19) if a tamper or wire fault occurs on a bypassed zone. When disabled, Tamper Recognition follows the zone's bypass definition. This means that the control panel will not perform any action if a tamper or wire fault occurs on a bypassed zone.

8.6 Keypad Panic Options

(default = **disabled**) The control panel can generate an alarm (audible, fire or report only) by pressing the keypad Panic key(s). Refer to the table below for the keypad Panic keys. In the section that corresponds to the desired partition, enable or disable options [1] through [6]:

Partition 1: [3123]	Partition 3: [3323]	Partition 5: [3523]	Partition 7: [3723]
Partition 2: [3223]	Partition 4: [3423]	Partition 6: [3623]	Partition 8: [3823]

Option	Feature	Press and Hold 2 Seconds:
[1]	Panic 1*	LCD keypads: Keys [1] and [3] simultaneously Grafica keypads: The  key
[2]	Panic 2*	LCD keypads: Keys [4] and [6] simultaneously Grafica keypads: The  key
[3]	Panic 3	LCD keypads: Keys [7] and [9] simultaneously Grafica keypads: The  key

Option	Alarm Type
[4]	Panic 1:* ON = Audible OFF = Report Only
[5]	Panic 2:* ON = Audible OFF = Report Only
[6]	Panic 3: ON = Fire OFF = Report Only

Report Only

The keypad emits a single confirmation beep and transmits the report code.

Audible Alarm

The control panel activates the BELL output until a user cancels the alarm or when the Bell Cut-Off Timer elapses .

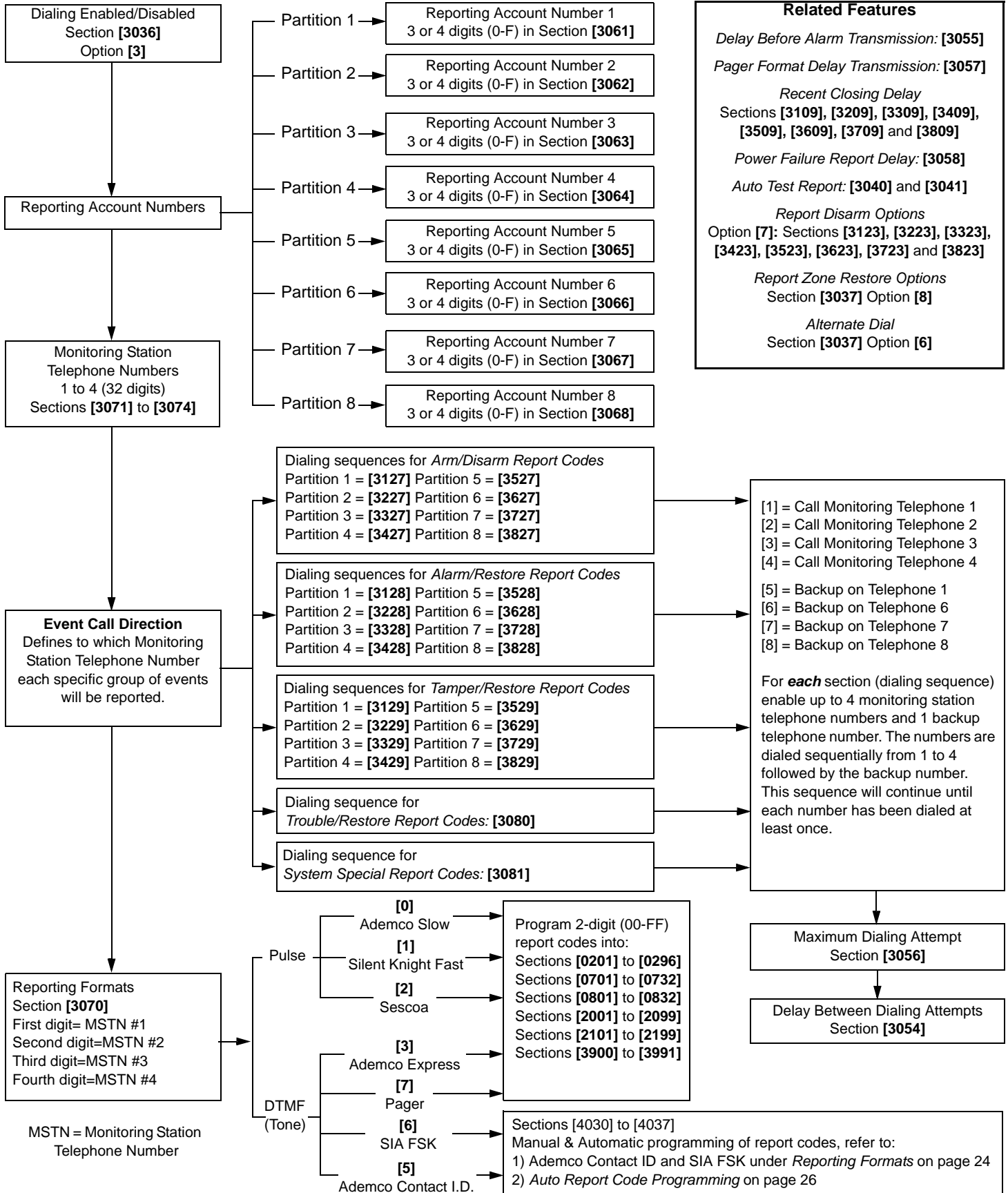
Fire Alarm

Same as audible operation, except that the bell/siren output will be pulsed.

** **UL Note:** For UL Listed systems, all emergency non-medical and auxiliary panic alarms will be report only.*

Event Reporting

Figure 16: Event Reporting



9.1 Reporting Enabled

SECTION [3036]: OPTION [3]

(default = **disabled**) If enabled, the control panel verifies if a report code was programmed in the section corresponding to event that happened. If a report code is programmed, the control panel dials the monitoring station telephone number. When the monitoring station answers, the control panel transmits the system account code and the programmed report code.

9.2 Report Codes

Report codes are 2-digit or 1-digit hexadecimal value. The Ademco Slow, Silent Knight, Sescoa and Pager Formats support 1-digit report codes. The transmission is defined by these two items: **Reporting Formats** (see *section 9.7* on page 24) and **Event Call Direction** (see *section 9.8* on page 24). If you are using the Ademco CID or SIA formats, an Auto Report Code Programming feature is available (see *section 9.17* on page 26).

9.2.1 Zone Alarm and Alarm Restore Report Codes

SECTION [0400]: FIRST AND SECOND BRACKETS

SECTIONS [0201] TO [0296]: FIRST AND SECOND BRACKETS

The first set of 2 digits in the sections refer to the Alarm Report Codes that identify which zones generated an alarm. The second set of 2 digits refer to the Alarm Restore Report Codes when a zone closes or once the bell has cut-off (see *section 8.2* on page 19). Refer to Zone Restore Report Options in (see *section 9.16* on page 25).

9.2.2 Tamper and Tamper Restore Report Codes

SECTION [0400]: THIRD AND FOURTH BRACKETS

SECTIONS [0201] TO [0296]: THIRD AND FOURTH BRACKETS

The third set of 2 digits refer to the Tamper Report Codes. The fourth set of 2 digits refer to the Tamper Restore Report Codes.

9.2.3 Keyswitch Arming

SECTIONS [0701] TO [0732]

Each section from [0701] to [0732] corresponds to a keyswitch from 1 to 32. The control panel can send the report code to the monitoring station identifying which keyswitch was used to arm. It will not send report codes for keyswitches that are defined with the PGM Activation definition.

9.2.4 Keyswitch Disarming

SECTIONS [0801] TO [0832]

Each section from [0801] to [0832] corresponds to a keyswitch from 1 to 32. The control panel can send a report code to the monitoring station identifying which keyswitch was used to disarm. It can transmit the report codes every time a partition is disarmed or only following an alarm. It will not send report codes for keyswitches that are defined with the PGM Activation definition.

9.2.5 Access Codes Arming

SECTIONS [2001] TO [2099]

A report code can be programmed for each user access code from 01 to 98 in sections [2001] to [2098]. User access codes from 99 to 999 use a common report code in section [2099]. The control panel can send the report code identifying which access code was used to arm the system.

9.2.6 Access Codes Disarming

SECTIONS [2101] TO [2199]

A report code can be programmed for each user access code from 01 to 98 in sections [2101] to [2198]. User access codes from 99 to 999 use a common report code programmed in section [2199]. The control panel can send the report code to the monitoring station identifying which access code was used to disarm the system. It can be transmitted when a partition is disarmed or only following an alarm. Also, see *section 9.15* on page 25.

9.2.7 Special System Reporting Codes

When the system generates one of the following events, the control panel can send the report code to the monitoring station identifying the event:

[3900]	Cold Start	control panel re-starts after complete shutdown (total power loss)
[3901]	Warm Start	control panel resets due to sudden problem other than power loss
[3902]	Test Report	report generated automatically (see <i>section 9.14</i>)
[3903]	Listen-In to Follow	Listen-In module attempts to start a Listen-In session
[3904]	WinLoad Login Request	communication attempted between WinLoad and control panel (Callback only)
[3905]	WinLoad Log Off	control panel ends communication with WinLoad
[3906]	Installer In	installer enters programming mode
[3907]	Installer Out	installer exits programming mode
[3908] to [3909]		Future Use

9.2.8 Special Arming Report Codes

When the partition arms using a special arming feature, the control panel can send the report code identifying how the system was armed.

[3910]	Auto-Arming	when Auto-Arming (see <i>section 7.10</i> on page 16)
[3911]	PC Arming	system armed using WinLoad or NEware software
[3912]	Late to Close	when Auto-Arming (see <i>section 7.10</i> on page 16)
[3913]	No Movement	when No Movement Auto-Arming (see <i>section 7.11</i> on page 16)
[3914]	Partial Arming	when partitions are Stay, Instant or Force armed or armed with bypassed zones
[3915]	Quick Arming	partitions armed with a One-Touch Arming feature (see <i>section 7.17</i> on page 17)
[3916]	Early to Close	partition armed before Arming Report Schedule (see <i>section 9.3.1</i> on page 23)
[3917]	Late to Close	partition armed after Arming Report Schedule (see <i>section 9.3.1</i> on page 23)
[3918]	Remote Arm	partition armed with the InTouch Voice-Assisted Arm/Disarm Module (APR3-ADM2)
[3919]	Closing Delinquency	Partition hasn't been armed before the programmed Closing Delinquency Timer elapsed (see <i>section 9.18</i> on page 26).

9.2.9 Special Disarming Report Codes

When using one of the special disarming features listed below, the control panel can send the report code identifying how the system was disarmed. Also, refer to *Disarm Reporting Options* in *section 9.15* on page 25.

[3920]	Cancel Auto-Arm	partition disarms during the Auto-Arm's delay (see <i>section 7.10</i> on page 16)
[3921]	Quick Disarm	partition disarms using One-Touch Disarming feature (see <i>section 7.17</i> on page 17)
[3922]	PC Disarm	system disarmed using WinLoad or NEware software
[3923]	PC Disarm after Alarm	system disarmed using WinLoad or NEware software after an alarm occurs
[3924]	Cancel Alarm	indicates that an alarm was cancelled even though the system was not armed when the alarm occurred.
[3925]	Future Use	
[3926]	Early to Open	partition disarmed before Disarming Schedule (see <i>section 9.3.1</i> on page 23)
[3927]	Late to Open	partition disarmed after Disarming Schedule (see <i>section 9.3.1</i> on page 23)

[3928]	Remote Disarm	partition disarmed with InTouch Voice-Assisted Arm/Disarm Module (APR3-ADM2)
--------	---------------	--

9.2.10 Special Alarm Report Codes

[3930]	Emergency Panic (non-medical)	the panic keys [1] and [3] were pressed (see <i>section 8.6</i> on page 20)
[3931]	Auxiliary Panic	the panic keys [4] and [6] were pressed (see <i>section 8.6</i> on page 20)
[3932]	Fire Panic	the panic keys [7] and [9] were pressed (see <i>section 8.6</i> on page 20)
[3933]	Recent Closing	an alarm is generated within the <i>Recent Close Delay</i> (see <i>section 9.10</i> on page 25)
[3934]	Police Code	Confirmation of an alarm condition occurred during the Police Code Timer's delay (see <i>section 8.4</i> on page 19).
[3935]	Auto Zone Shutdown	the control panel stops regenerating alarms on a zone during the same armed period (see <i>section 4.6.1</i> on page 11)
[3936]	Duress	a Duress enabled access code is keyed in (see <i>Appendix 3: Keypad Installation Instructions</i> on page 44)
[3937]	Keypad Lockout	too many invalid codes entered (see <i>section 7.19</i> on page 17)

9.2.11 System Trouble Codes

[3941]	AC Failure	AC power not detected. Also, see Power Fail Report Delay in <i>section 9.11</i>
[3942]	Battery Failure	battery is disconnected or the battery voltage is less than or equal to 10.5V
[3943]	Auxiliary Supply	the aux power supply's current is greater than or equal to 1.1A
[3944]	Bell Output	bell output is disconnected or the current is greater than or equal to 3A
[3945]	Clock Loss	panel time lost (see <i>section 13.17</i>)
[3946]	Fire Loop Trouble	tamper on a Fire Zone (see <i>section 4.4</i>)
[3947] to [3949]	Future Use	
[3950]	Bus Fault	a module was removed from the combus
[3951]	Module Tamper	tamper/wire fault on module (not a motion detector) on the combus
[3952]	ROM Check Error	on-board Read-Only Memory trouble
[3953]	Module TLM	TLM failure detected on Listen-In Module (DGP-LSN4)
[3954]	Module Fail to Communicate	DGP2-DVAC failed to communicate with the monitoring station
[3955]	Printer Fault	Printer Module detected an error
[3956]	Module AC Failure	no AC power detected on a module
[3957]	Module Battery Failure	battery on a module is disconnected or the battery voltage is low
[3958]	Module Auxiliary Failure	the AUX output on a module has exceeded current limits
[3959]	Future Use	
[3960]	Wireless Transmitter Low Battery	the battery voltage is low on a wireless transmitter
[3961]	Wireless Module Supervision Failure	this report code is global unless using the Contact ID or SIA reporting formats
[3962] to [3964]	Future Use	
[3965]	Fail to Com 1	Phone Number 1 failed to communicate*
[3966]	Fail to Com 2	Phone Number 2 failed to communicate*
[3967]	Fail to Com 3	Phone Number 3 failed to communicate*
[3968]	Fail to Com 4	Phone Number 4 failed to communicate*

* No "Fail to Communicate" for Pager telephone numbers

9.2.12 System Trouble Restore Codes

[3970]	TLM1 Restored	[3981]	Module Tamper Restored
[3971]	AC Restored	[3982]	ROM Check Error Restored
[3972]	Battery Restored	[3983]	Module TLM Restored
[3973]	Auxiliary Supply Restored	[3984]	Module Fail to Communicate Restored
[3974]	Bell Output Restored	[3985]	Printer Fault Restored
[3975]	Clock Loss Restored	[3986]	Module AC Failure Restored
[3976]	Fire Loop Restored	[3987]	Module Battery Restored
[3977]	Future Use	[3988]	Module Auxiliary Restored
[3978]	Future Use	[3989]	Future Use
[3979]	Future Use	[3990]	Wireless Transmitter Battery Restored
[3980]	Bus Fault Restored	[3991]	Wireless Module Supervision Restored



If the Telephone Line Monitoring (see *section 10.1*) is disabled, the control panel will not transmit the TLM report code.

9.3 Report Arming and Disarming

These features identify when partitions should be armed or disarmed. It allow the control panel to report changes from the schedule.

9.3.1 Arming and Disarming Report Schedules

Arming and Disarming Report Schedules identify the days and times that a partition should be armed and disarmed. Each schedule consists of 2 programmable time periods called Intervals that determine the time span and days when the partition should be armed or disarmed (see *Figure 17*). Schedules are enabled when they are programmed.

Figure 17: Example of an Arming and a Disarming Report Schedule

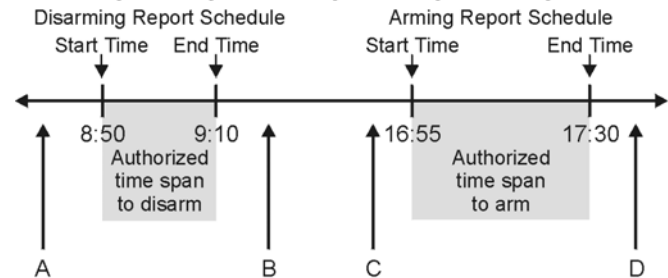
Section [3102]: Arming Schedule (partition 1)

Interval 1: Start Time 16:55 End Time 17:30 Options 2, 3, 4, 5 & 6

Section [3103]: Disarming Schedule (partition 1)

Interval 1: Start Time 08:50 End Time 09:10 Options 2, 3, 4, 5, 6

On Monday, Tuesday, Wednesday, Thursday and Friday:



A = If partition is disarmed, Early to Open report code sent.

B = If partition is disarmed, Late to Open report code sent.

C = If partition is armed, Early to Close report code sent.

D = If partition is armed, Late to Close report code sent.

Program the Start Time and End Time according to the 24-hour clock and enable the options representing the desired Days for the desired partition. When option [8] is enabled, access is permitted during the programmed holidays (see *section 15.8* on page 36).

Arming Report Schedule

Partition 1: [3102]	Partition 3: [3302]	Partition 5: [3502]	Partition 7: [3702]
Partition 2: [3202]	Partition 4: [3402]	Partition 6: [3602]	Partition 8: [3802]

Disarming Report Schedule


Partition 1: [3103]	Partition 3: [3303]	Partition 5: [3503]	Partition 7: [3703]
Partition 2: [3203]	Partition 4: [3403]	Partition 6: [3603]	Partition 8: [3803]

Option	Day	Option	Day
[1]	Sunday (S)	[5]	Thursday (T)
[2]	Monday (M)	[6]	Friday (F)
[3]	Tuesday (T)	[7]	Saturday (S)
[4]	Wednesday (W)	[8]	Holidays (H)

9.3.2 Arming/Disarming Schedule Tolerance Window

(default = 000) The Arming/Disarming Schedule Tolerance Window lengthens the partition's Arming/Disarming Schedule for some users. User access codes with Add Tolerance Windows to Schedules enabled have the number of minutes programmed in these sections added before and after the corresponding partition's schedule. Enter any value between 001 and 255 to determine Arming/Disarming Schedule Tolerance Window in minutes.

Partition 1: [3104]	Partition 3: [3304]	Partition 5: [3504]	Partition 7: [3704]
Partition 2: [3204]	Partition 4: [3404]	Partition 6: [3604]	Partition 8: [3804]

 The Arming/Disarming Schedule Tolerance Window applies to the Arming and Disarming Report Schedules only (section 9.3.1). The Arming/Disarming Schedule Tolerance Window does not apply to Access Schedules (section 15.6 on page 36).

9.4 Monitoring Station Phone Number

SECTIONS [3071] TO [3074]

The control panel can dial up to 4 different monitoring station telephone numbers. Sections [3071] to [3074] represent monitoring station telephone numbers 1 through 4. Enter any digit up to a maximum of 32.

Table 4: Special Telephone Number Keys

Functions	Key	
*	[STAY]	[#] (Press the key until the desired letter/symbol appears)
#	[FORCE]	
Switch to Tone Dialing (T)	[ARM]	
Wait for second dial tone (W)	[DISARM]	
4-second pause (P)	[BYP]	
Insert	[MEM]	—
Delete	[TRBL]	—
Delete from cursor to end	[ACC]	Left action key (Clear)


9.5 Account Number

SECTIONS [3061] TO [3068]

(default = 000) All report codes are preceded by a 3- or 4-digit Account Number to ensure correct identification of system events. Account Numbers can be any hexadecimal value from 0 to F.

Table 5: Account Numbers

Section	Account Number	Section [3035], option [6] = disabled	Section [3035], option [6] = enabled
[3061]	Account Number 1	Partition 1	MSTN 1
[3062]	Account Number 2	Partition 2	MSTN 2
[3063]	Account Number 3	Partition 3	MSTN 3
[3064]	Account Number 4	Partition 4	MSTN 4
[3065]	Account Number 5	Partition 5	N/A
[3066]	Account Number 6	Partition 6	N/A
[3067]	Account Number 7	Partition 7	N/A
[3068]	Account Number 8	Partition 8	N/A

 Only the SIA format supports the [0] = 0 digit in its account numbers. Account numbers that use other reporting formats do not support the [0] = 0 digit. Enter the [STAY] = A digit in its place. When using the SIA Format, and the Account Number Transmission (see section 9.6 on page 24) corresponds to the partition, the control panel only uses the Partition 1 Account Number programmed in section [3061], but the report code includes the partition number.

9.6 Account Number Transmission

SECTION [3035]: OPTION [6]

(default = Partition Account #) When enabled, the account number corresponding to the MSTN that was dialed will be sent regardless of which partition the report originated from. When disabled, the account number that is sent to the monitoring station corresponds to the partition where the event originated, regardless of which MSTN is dialed.

9.7 Reporting Formats

SECTION [3070]

The control panel can use a number of different reporting formats. Each monitoring station phone numbers should be programmed with the same reporting format unless they are combined with a Pager format. The first digit represents the reporting format (see Table 6) used for Monitoring Station Telephone Number 1, the second digit, Monitoring Station Telephone Number 2, etc.

Compatible Digital Alarm Communication Receivers (DACRs):*

- Sur-Gard DRL2A
- Ademco 685
- Osborne Hoffman Quick Alert II

Table 6: Reporting Formats*

0 = Ademco slow (1400Hz, 1900Hz, 10BPS)	4 = Contact ID Pager
1 = Silent Knight fast (1400Hz, 1900Hz, 20BPS)	5 = Ademco Contact ID
2 = Sescoc (2300Hz, 1800Hz, 20BPS)	6 = SIA FSK
3 = Ademco Express (DTMF 4+2)	7 = Pager

* **UL Note:** Installer must verify the compatibility with of the DACR. Use listed compatible DACRs.

9.7.1 Standard Pulse Formats

The control panel can use the Ademco slow, Silent Knight fast and Sescoc standard pulse reporting formats (see Table 6).

9.7.2 Ademco Express

The Ademco Express is a high-speed reporting format that communicates 2-digit (00 to FF) report codes. The Ademco Express does not use the Contact ID Report Codes.

9.7.3 Contact ID Pager

The control panel will transmit a Contact ID report instead of a user generated numerical code to a pager. The Contact ID report code will come from either the *Automatic Report Code List* on page 40 or the *Contact ID Report Code List* on page 42.

9.7.4 Ademco Contact ID

Ademco Contact ID is a fast communicator format that uses tone reporting. To program the report codes, use the 2-digit hexadecimal values from the *Contact ID Report Codes List* in the "EVO Programming Guide". Enter 00 to disable reporting or FF to use the default report code from the *Automatic Report Code List* in the "EVO Programming Guide". To program a set of default Contact ID codes, refer to section 9.17 on page 26.

9.7.5 SIA FSK

SIA FSK is a fast communicator format that uses tone reporting. To program the report codes, enter 00 to disable reporting or any other value to use the default report code from the *Automatic Report Code List* in the "EVO Programming Guide". To program a set of default SIA FSK codes, refer to *Auto Report Code Programming* on page 26.

9.7.6 Pager Reporting Format

Using this format allows the control panel to transmit report codes to a pager. A pound symbol "#" is automatically generated after the report code.

9.8 Event Call Direction

Event groups can be programmed to dial up to four monitoring station telephone numbers with one used as a backup. The numbers are dialed

sequentially, skipping any disabled numbers and stopping once all selected telephone numbers have been reached. If the control panel still fails to report to a monitoring station telephone number after reaching the Maximum Dialing Attempts (see *section 9.8.1* on page 25), the control panel will dial the selected backup telephone number. For each section enable or disable the options:

Troubles and Restore Troubles: [3080]
Special System, Arming, Disarming and Alarm Reporting: [3081]

Access Code and Keyswitch Arming and Disarming

Partition 1: [3127]	Partition 3: [3327]	Partition 5: [3527]	Partition 7: [3727]
Partition 2: [3227]	Partition 4: [3427]	Partition 6: [3627]	Partition 8: [3827]

Zone Alarms and Alarm Restores

Partition 1: [3128]	Partition 3: [3328]	Partition 5: [3528]	Partition 7: [3728]
Partition 2: [3228]	Partition 4: [3428]	Partition 6: [3628]	Partition 8: [3828]

Tampers and Tamper Restores

Partition 1: [3129]	Partition 3: [3329]	Partition 5: [3529]	Partition 7: [3729]
Partition 2: [3229]	Partition 4: [3429]	Partition 6: [3629]	Partition 8: [3829]

(default = **only option [1] enabled**)

Option	Call:	Option	Call (select one only):
[1]	Telephone Number 1	[5]	Backup on Number 1
[2]	Telephone Number 2	[6]	Backup on Number 2
[3]	Telephone Number 3	[7]	Backup on Number 3
[4]	Telephone Number 4	[8]	Backup on Number 4

9.8.1 Maximum Dialing Attempts*

SECTION [3056]
(default = **008**) The number (001 to 255, 000 = 8 attempts) programmed into section **[3056]** determines how many tries before proceeding to the next number. Also refer to *section 9.8.3*.

* **UL Note:** For UL Listed systems, the maximum dialing attempts must be set to 5 to 10 attempts between the EVO's two telephone lines.

9.8.2 Delay Between Dialing Attempts

SECTION [3054]
(default = **020**) This delay can be set from 001 to 127 seconds.

9.8.3 Alternate Dialing Option

SECTION [3037]: OPTION [6]
(default = **disabled**) When enabled, the control panel dials the selected backup telephone number after every failed attempt to contact a monitoring station telephone number. When disabled, the control panel dials the backup telephone number after the Maximum Dialing Attempts (see *section 9.8.1*) to one monitoring station telephone number fail.

9.9 Pager Delay

SECTION [3057]
(default = **020**) When using the Pager Reporting Format (see *section 9.7.6*), the control panel will wait for the delay period programmed into section **[3057]** before uploading the report codes to the pager. Enter any value between 001 and 127 to determine Pager Delay in seconds.

9.10 Recent Close Delay

(default = **000**) If an alarm is generated within the programmed period after arming the partition, the control panel will transmit the *Recent Close* report

code programmed into section **[3933]**. Enter any value between 001 and 255 to determine Recent Close Delay in seconds.

Partition 1: [3109]	Partition 3: [3309]	Partition 5: [3509]	Partition 7: [3709]
Partition 2: [3209]	Partition 4: [3409]	Partition 6: [3609]	Partition 8: [3809]

9.11 Power Failure Report Delay

SECTION [3058]
(default = **030**) The control panel will delay the transmission of the *AC Failure* report code programmed into section **[3941]** by the period programmed into section **[3058]**. Enter any value between 001 and 255 to determine Power Failure Report Delay in minutes.

9.12 Power Failure Restore Report Delay

SECTION [3060]
(default = **030**) The control panel will delay the transmission of the *AC Failure Restore* report code programmed into section **[3972]** by the period programmed into section **[3060]**. Enter any value between 001 and 255 to determine Power Failure Restore Report Delay in minutes.

9.13 Repeat Pager Report Code Transmission

SECTION [3059]
{default = **000**} This feature re-sends the report code as specified.

9.14 Auto Test Report

SECTION [3037]: OPTIONS [3] AND [4] AND SECTIONS [3040], [3041], [3042] AND [3043]
The control panel can transmit the test report code programmed into section **[3902]** every hour or after a period of time.

OFF	OFF	Auto Test Report Period (default)	After the number programmed (000 to 255 days, default = 000) in section [3040] , the control panel transmits a report code at the time (00:00 to 23:59, default = 00:00) programmed in section [3041] .
OFF	ON	Timed Test Transmission when Armed/Disarmed	When disarmed: The control panel transmits the code at regular intervals. Program the number of minutes (000 to 255, default = 060) between transmissions in section [3043]. When armed: The control panel transmits the test report code at regular intervals. Program the number of minutes (000 to 255, default = 005) between each transmission in section [3042] .
ON	OFF	Hourly Test Transmission	The control panel will transmit the test report code every hour on the minute value programmed in section [3041] (the last two digits). Note that the first two digits of section [3041] will be ignored.
ON	ON	Timed and Hourly Test Transmission	The test report code will be transmitted when any of the conditions of the second and third options listed above (options [3] = OFF and [4] = ON / options [3] = ON and [4] = OFF) are met.

9.15 Disarm Reporting Options

(default = **disabled**) When disabled, the control panel sends the Disarming Report Codes (see *section 9.2* on page 22) every time the partition is disarmed. When enabled, the control panel sends the Disarming Report Codes to the monitoring station only when the partition is disarmed following an alarm. Select the section that corresponds to the desired partition and enable or disable option **[7]**:

Partition 1: [3123]	Partition 3: [3323]	Partition 5: [3523]	Partition 7: [3723]
Partition 2: [3223]	Partition 4: [3423]	Partition 6: [3623]	Partition 8: [3823]

9.16 Zone Restore Report Options

SECTION [3037]: OPTION [8]
(default = **disabled**) When disabled, the control panel sends the *Zone Alarm Restore* report codes to the monitoring station when the Bell Cut-Off Timer elapses (see *section 8.2*) or when the alarm is disarmed. When

enabled, the control panel sends the *Zone Alarm Restore* report codes (see *section 9.2*) to the monitoring station as soon as the zone returns to normal (zone closure) or upon disarming.

9.17 Auto Report Code Programming

When using either the Contact ID or SIA Reporting Formats (see *section 9.7* on page 24), the control panel can automatically program a set of default report codes. The Contact ID Reporting Format can be modified using the manual programming method (see *section 9.7.4* & *section 9.7.5* on page 24) to program remaining report codes or to change some of the defaults. Enter any of the following sections to set the indicated report codes with the default values (FF) from the *Automatic Report Codes List* in the "EVO Programming Guide":

Section	Description
[4030]	Resets all the report code sections to 00 (cleared).
[4031]	Sets all the report code sections to FF (defaults).

Section	Sets to Defaults (FF)	Reset Sections
[4032]	Zone Alarm and Restore Report Codes Tamper and Restore Report Codes	[0201] to [0296]
[4033]	Keyswitch Arming Report Codes Keyswitch Disarming Report Codes Access Code Arming Report Codes Access Code Disarming Report Codes	[0701] to [0732] [0801] to [0832] [2001] to [2099] [2101] to [2199]
[4034]	Special System Report Codes	[3900] to [3909]
[4035]	Special Arming Report Codes Special Disarming Report Codes	[3910] to [3919] [3920] to [3929]
[4036]	Special Alarm Report Codes	[3930] to [3939]
[4037]	Trouble and Restore Report Codes	[3940] to [3991]

9.18 Closing Delinquency Timer

(default = 000; disabled) When a partition in the system is disarmed, the control panel will start the corresponding partition's Closing Delinquency Timer. If the Closing Delinquency Timer elapses before the partition is armed again, EVO will transmit a "Closing Delinquency" report code to the monitoring station. Enter a value from 001 to 255 days into the appropriate section. Enter 000 to disable the Closing Delinquency Timer.

Partition 1: [3119]	Partition 3: [3319]	Partition 5: [3519]	Partition 7: [3719]
Partition 2: [3219]	Partition 4: [3419]	Partition 6: [3619]	Partition 8: [3819]

Dialer Options

10.1 Telephone Line Monitoring

SECTION [3036]: OPTIONS [1] AND [2]

When enabled, the system verifies the existence of the main telephone line once every second. After each successful test, the Status LED on the control panel flashes briefly. A line test failure occurs when the TLM detects less than 3 volts for the period defined by the TLM Fail Timer (see *section 10.1.1*). If the line test fails, the control panel will generate one or more conditions as defined by the TLM settings below, until it detects the telephone line again. When the dialer detects a telephone ring, the TLM test stops for 1 minute.

[1]	[2]	Feature	When the line test fails
OFF	OFF	Disabled	TLM disabled (default) .
ON	OFF	Trouble Only	The <i>Communicator</i> trouble appears in the Trouble Display.
OFF	ON	Alarm when Armed	The <i>Communicator</i> trouble appears in the Trouble Display. If the partition is armed, the control panel generates an alarm.
ON	ON	Silent Alarms become Audible	The <i>Communicator</i> trouble appears in the Trouble Display. The control panel switches any triggered <i>Silent Alarm</i> zones or <i>Silent</i> panic alarms to an audible alarm.

10.1.1 TLM Fail Timer

SECTION [3053]

(default = **016**) If the TLM does not detect the existence of the main telephone line for the time programmed in this section, the control panel will generate the condition(s) defined by the TLM options (see *section 10.1*). Enter any value between 016 and 255 (value is X2 seconds) into section [3053]. Entering a value between 000 and 016 will set the TLM Fail Timer to 32 seconds.

10.2 Tone/Pulse Dialing

SECTION [3036]: OPTION [4]

(default = **enabled**)

[4]	ON	Tone/DTMF format
[4]	OFF	Pulse dialing format

10.3 Pulse Ratio

SECTION [3036]: OPTION [5]

(default = **enabled**) When using Pulse dialing (see *section 10.2*), select one of two Pulse Ratios. If the selected pulse ratio does not provide adequate results, try the other one.

[5]	ON	North American pulse ratio of 1:1.5
[5]	OFF	European pulse ratio of 1:2

10.4 Busy Tone Detection

SECTION [3036]: OPTION [6]

(default = **enabled**) When enabled, the control panel immediately hangs up if it receives a busy signal when it dials an outside number.

10.5 Switch To Pulse

SECTION [3036]: OPTION [7]

(default = **disabled**) When is enabled, the control panel switches from tone dialing to pulse dialing on the fifth attempt to report events to the monitoring station. The control panel continues to use pulse dialing until it establishes communication. When the control panel switches to another monitoring station telephone number, it returns to tone dialing and switches back to pulse dialing on the fifth attempt.

10.6 Bell On Communication Fail

SECTION [3036]: OPTION [8]

(default = **disabled**) When enabled and the control panel fails to communicate with the monitoring station when the partition is armed, the control panel can enable the BELL output.

10.7 Keypad Beep on Successful Arm or Disarm Report

SECTION [3037]: OPTION [5]

(default = **disabled**) When enabled and a user arms or disarms a partition, the keypad emits a beep tone to confirm that the monitoring station received the arming or disarming report code.

10.8 Dial Tone Delay

SECTION [3037]: OPTION [7]

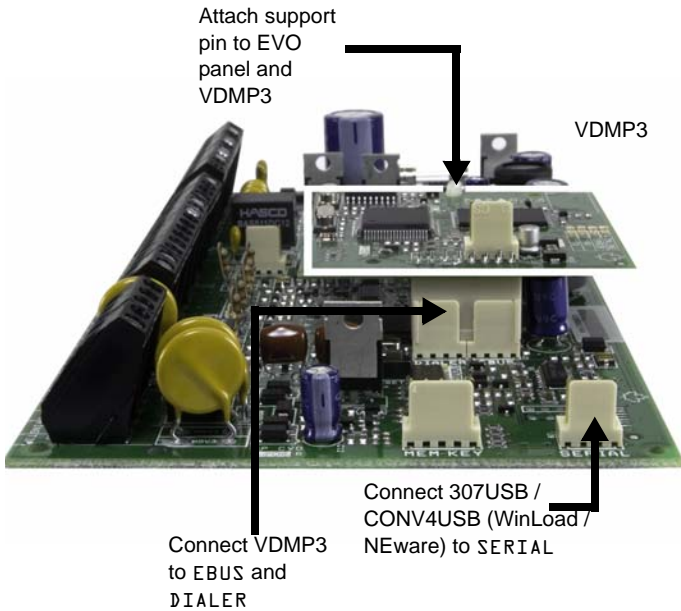
(default = **disabled**)

[7]	ON	If no dial tone is present, dialer hangs up after 32 secs.
[7]	OFF	If no dial tone is present, force dials after 3 secs.

If more time is required, insert a 4-second pause into the desired telephone number sequence (see *section 9.4*).

VDMP3 Voice Module

11.3 VDMP3 Setup Instructions



11.1 VDMP3 Installation Instructions


Step	English
1 Install	<ul style="list-style-type: none"> Power down the EVO control panel. Install the VDMP3 directly onto the EVO control panel's SERIAL and DIALER connectors as shown in "VDMP3 Installation Instructions". If using a 307USB or CONV4USB, connect to the COM PORT connector as shown in "VDMP3 Installation Instructions". Power up the EVO control panel.

11.2 Feature activation (PGMs)

Using the VDMP3, it is possible to activate the PGM utility keys or PGM groups that are programmed in the EVO panel. VDMP3 feature numbers do not necessarily correspond to EVO utility key numbers.

For example:

VDMP3 Feature	EVO Utility Key	VDMP3 Feature	EVO Utility Key
Feature 1 ON	Utility Key 1	Feature 5 ON	Utility Key 9
Feature 1 OFF	Utility Key 2	Feature 5 OFF	Utility Key 10
Feature 2 ON	Utility Key 3	Feature 6 ON	Utility Key 11
Feature 2 OFF	Utility Key 4	Feature 6 OFF	Utility Key 12
Feature 3 ON	Utility Key 5	Feature 7 ON	Utility Key 13
Feature 3 OFF	Utility Key 6	Feature 7 OFF	Utility Key 14
Feature 4 ON	Utility Key 7	Feature 8 ON	Utility Key 15
Feature 4 OFF	Utility Key 8	Feature 8 OFF	Utility Key 16

 If the utility key in the EVO panel is programmed with a timer, the VDMP3 will not recognize PGM deactivation when the set timer elapses. As a result, the VDMP3 may indicate that the PGM is ON when actually the timer has elapsed and the PGM is in fact OFF

Step	EVO section	English
1 Enable Functions	[3090]	Select the following options to enable voice reporting and arm/disarm function. [1] Arm/disarm (default 1 and 2 ON) [2] Voice reporting
2 Telephone Numbers	[3091] to [3098]	Program up to 8 telephone numbers which will be called in sequence in the event of an alarm. Telephone numbers should be programmed in priority sequence as the VDMP3 will start with telephone number 1. For extra key functions, see <i>Special Telephone Number Keys</i> on page 24. [3091] Telephone number 1 [3095] Telephone number 5 [3092] Telephone number 2 [3096] Telephone number 6 [3093] Telephone number 3 [3097] Telephone number 7 [3094] Telephone number 4 [3098] Telephone number 8
3 Enable Numbers	[3133] to [3833]	Choose which telephone numbers will be enabled for each partition in your system. Options [1] to [8] represent telephone numbers 1 through 8. (Default: Telephone number 1 is enabled for all partitions.) [3133] Partition 1 [1] to [8] [3533] Partition 5 [1] to [8] [3233] Partition 2 [1] to [8] [3633] Partition 6 [1] to [8] [3333] Partition 3 [1] to [8] [3733] Partition 7 [1] to [8] [3433] Partition 4 [1] to [8] [3833] Partition 8 [1] to [8]
4 Answering Machine Override	[3052]	If the VDMP3 uses a telephone line that is connected to an answering machine or service, the Answering Machine Override must be programmed. The value programmed in section [3052] represents the delay period that the VDMP3 will wait between the first and second call. The user must call the VDMP3, hang up, and then call back within the value programmed in section [3052]. The module then overrides the answering machine or service by picking up the line on the first ring. 000 to 225 seconds (default 008) Note: Changing these values will also affect PC communication via WinLoad software.
5 Enable Features (PGM)	[3087]	Features in this section correspond to utility key PGMs in the EVO control panel. For more information, see Feature Activation (PGMs). Options [1] to [8] represent features 1 to 8 (default: OFF)
6 Message Delay	[3088]	After the VDMP3 dials a phone number, it waits the programmed delay period before sending the voice message. The value programmed in section [3088] represents the length of time the VDMP3 will wait before playing the message. 000 to 127 seconds (default 003)
7 Message Repetitions	[3089]	Set the number of times the VDMP3 will play the voice message. 000 to 008 repetitions (default 008)
8 Delay Before Next Number	[3054]	Set the delay before the VDMP3 attempts to dial the next number on the list. 000 to 255 seconds (default 020) Note: Changing these values will also affect regular reporting to monitoring station.
9 Ring Counter	[3051]	Set the number of rings the VDMP3 will wait before the call is answered. 000 to 008 rings (default 008) Note: Changing these values will also affect PC communication via WinLoad software.

Programmable Outputs

The control panel provides a maximum of 100 mA to PGM1 to PGM4. PGM5 is a 5A/28Vdc N.O./ N.C. relay output. Activating a PGM changes its state from open to closed or closed to open. Refer to *section 2.8* on page 2.

12.1 PGM Activation Event

The PGM Activation Event determines which event will activate the PGM. The Event Group specifies the event, the Feature Group identifies the source, and the Start # and End # sets the range within the Feature Group (see *PGM Programming Table* in the "EVO Programming Guide").

Enter the sections that correspond to the Event Group, Feature Group, Start # and End # of the desired PGM and enter the desired 3-digit number from the PGM Programming Table:

	Event Group	Feature Group	Start #	End #
PGM 1:	[0910]	[0911]	[0912]	[0913]
PGM 2:	[0920]	[0921]	[0922]	[0923]
PGM 3:	[0930]	[0931]	[0932]	[0933]
PGM 4:	[0940]	[0941]	[0942]	[0943]
PGM 5:	[0950]	[0951]	[0952]	[0953]

12.2 PGM Deactivation Option

Once the PGMs are activated, they can deactivate when another event occurs or after a period of time. Enter the section that corresponds to the desired PGM and enable or disable option [1] (default = **PGM Deactivation Event**):

PGM 1: [0919]	Option	Feature
PGM 2: [0929]	[1] ON	PGM Timer
PGM 3: [0939]	[1] OFF	PGM Deactivation Event
PGM 4: [0949]	[4] ON	Normally Closed
PGM 5: [0959]	[4] OFF	Normally Open

12.3 Flexible PGM Deactivation Option

The PGM Deactivation Option must be set to *PGM Timer* for this feature to function. The Flexible PGM Deactivation Option uses both the PGM Deactivation Event and the PGM Timer. When enabled, and if the PGM is activated, it will deactivate when **either** the PGM Deactivation Event occurs or the PGM Timer elapses, whichever happens first.

Enter the section corresponding to the PGM and enable option [3] (default = **disabled**):

PGM 1: [0919]	PGM 2: [0929]	PGM 3: [0939]
PGM 4: [0949]	PGM 5: [0959]	

12.4 PGM Deactivation Event

The PGM Deactivation Event determines which event will return the PGM to its original state. The Event Group specifies the event, the Feature Group identifies the source, and the Start # and End # determine the range within the Feature Group.

Enter the sections that correspond to the Event Group, Feature Group, Start # and End # of the desired PGM and enter the desired 3-digit number from the PGM Programming Table.

	Event Group	Feature Group	Start #	End #
PGM 1:	[0914]	[0915]	[0916]	[0917]
PGM 2:	[0924]	[0925]	[0926]	[0927]
PGM 3:	[0934]	[0935]	[0936]	[0937]

PGM 4:	[0944]	[0945]	[0946]	[0947]
PGM 5:	[0954]	[0955]	[0956]	[0957]

12.5 PGM Timer

When the PGM Deactivation Option is enabled, the PGM Timer determines how many seconds or minutes the PGM remains activated.

Enter the section that corresponds to the desired PGM and enter a value from 001 to 255 (default = **005**). The value entered is either in seconds or minutes as determined by the PGM Time Base Selection:

PGM 1: [0918]	PGM 2: [0928]	PGM 3: [0938]
PGM 4: [0948]	PGM 5: [0958]	

12.5.1 PGM Time Base Selection

The PGM Time Base Selection determines whether the PGM Timers are in minutes or seconds (default = **seconds**):

PGM 1: [0919]	Option	Feature
PGM 2: [0929]	[2] ON	Minutes
PGM 3: [0939]	[2] OFF	Seconds
PGM 4: [0949]		
PGM 5: [0959]		

12.6 PGM1 Becomes a 2-wire Smoke Detector Input*

SECTION [3030]: OPTION [1]

(default = **disabled**) When enabled, PGM1 acts as a zone input for two-wire smoke detectors. When programming Zone Numbering (see *section 4.2* on page 10), the control panel will recognize PGM1 as input number 255. Please refer to *section 2.16.1* on page 7 for connection information.

* **UL Note:** Not verified by UL.

12.7 PGM Test Mode

Entering sections [0901] to [0903] activates the corresponding PGM for 8 seconds to verify if the PGM is functioning as desired.

PGM 1: [0901]	PGM 2: [0902]	PGM 3: [0903]
PGM 4: [0904]	PGM 5: [0905]	

12.8 PGM Initial Status

Use this option to set the initial state for the PGM.

PGM 1: [0919]	Option	Feature
PGM 2: [0929]	[4] ON	Normally Closed
PGM 3: [0939]	[4] OFF	Normally Open
PGM 4: [0949]		
PGM 5: [0959]		

System Settings and Commands

13.1 Hardware Reset

A Hardware Reset sets sections [0001] to [3991] to default. Only the Panel ID, PC Password, PC Telephone Number and Event Buffer are not reset. The Installer Code Lock prevents Hardware Reset.

1. Make sure the Installer Code Lock is disabled
2. Press and hold the Reset and Aux buttons for 3 seconds
3. The panel will be reset to defaults

13.2 Software Reset

Performing a software reset will set certain parameters to default values or program certain sections with a set of pre-defined values. To reset:

1. Enter *Panel Programming Mode* (see section 3.4).
2. Enter section [4049] to unlock software reset.
3. Enter the 4-digit [SECTION] of the software reset you wish to perform.
4. For every other section you want to reset, you will have to unlock software reset.

[4040]	Resets the programmable sections from [0001] to [3991] to default (even if Installer Code Lock is enabled) except: Event Buffer, Panel ID, PC Password, PC Telephone Number and Zone, Door, Partition and User Labels (see section 14.4 on page 34).
[4041]	Resets the System Master Code to 123456.
[4042]	Resets all Zone Programming sections from [0001] to [0196], [0201] to [0296] and [0961] to [0984] to default.
[4043]	Resets the Access Control sections, except Door Labels (see section 13.25 on page 32), from [2201] to [2712] to default.
[4044]	Resets all User Access Code Programming sections from [1001] to [1999] and [2001] to [2199] to default. User Labels (see section 14.4 on page 34) will not be reset.
[4045]	Resets all control panel settings from [3020] to [3043] and from [3900] to [3991] and all the Dialer sections from [3051] to [3081].
[4046]	Resets all Partition Settings, except Partition Labels (see section 13.25 on page 32), from [3101] to [3831] to default.
[4047]	Resets Keyswitch Programming sections from [0501] to [0832] and all Programmable Outputs sections from [0901] to [0939] to default.
[4048]	Entering this section resets the User Labels from the User Access Codes, the Zone Labels from [0301] to [0396], Door Labels from [2301] to [2332], Partition Labels [3100], [3200], [3300], [3400], [3500], [3600], [3700] and [3800] to default.
[4049]	Entering this section will unlock software reset for sections [4040] to [4048].

 Do not remove power from the control panel.

13.3 Installer Code Lock

SECTION [3001]

(default = 000) Enter 147 into section [3001] to lock all programming. When 147 is programmed, performing a hardware reset as described in section 13.1 will not affect the current panel settings. To remove the Installer Lock, enter 000 into section [3001].

13.4 Daylight Savings Time

SECTION [3030]: OPTION [3]

(default = enabled) When enabled, the control panel adjusts the system's clock (time) for daylight saving changes.

13.5 Daylight Savings Time Schedule

SECTION [3022]

(default = 18)

Select the schedule followed for the Daylight Savings Time adjustment.


00	Canada/United States/Mexico/ St-Johns/Bahamas/Turks and Caicos	01	Cuba
02	Brazil	03	Chile
04	Falkland Islands	05	Paraguay
06	European Union/United Kingdom/Greenland	07	Russia and surrounding countries
08	South Australia/Victoria/ Australian Capital Territory/ New South Wales	09	Tasmania/Lord Howe Island
10	New-Zealand/Chatham	11	Tonga
12	Iraq/Syria	13	Israel (TBC)
14	Lebanon/Kirgizstan	15	Palestine
16	Egypt	17	Namibia
18	Canada/United States 2007 (default)	19	New Zealand

13.6 Battery Charge Current

SECTION [3030]: OPTION [5]

Depending on the battery's capacity, enable or disable the option:

[5]	ON	850mA
[5]	OFF	350mA (default)


 A 40VA transformer is required when selecting the 850mA battery charge current, a 20VA transformer may damage the system.

13.7 Combustion Speed

SECTION [3030]: OPTION [8]

In large installations, set the speed to High. If you are experiencing communication troubles, set the speed to Normal or install a Hub (APR3-HUB2). The control panel will restart when a change is made

[8]	ON	High Speed
[8]	OFF	Normal Speed (default)

 Please note that when the combustion speed is changed the following will occur and is considered normal operation:

- The message COMM. TROUBLE CALL SERVICE will be displayed on keypads connected to the combust.
- The AC and STATUS LEDs will begin to alternately flash and all operations on the system will be suspended for approximately one minute while the system reconfigures.

13.8 Transmit Zone Status on Serial Port

SECTION [3035]: OPTION [7]


When enabled, the control panel will transmit zone status information through the serial port. Use this when there are devices or software connected to the serial port like WinLoad.

13.9 Serial Port Baud Rate

SECTION [3035]: OPTION [8]

Adjust depending on the baud rate set in WinLoad or NEware:

[8]	ON	57,600 baud
[8]	OFF	38,400 baud (default)

 If communication between the control panel and the computer is experiencing difficulty at 57,600 baud, especially over long distances reduce the baud rate of the software to 38,400 baud.

13.10 Partitioning

SECTION [3031]: OPTIONS [1] TO [8]

(default = **partition 1 enabled**) The control panel can provide up to eight completely independent partitions. Most features and options can be independently set for each partition. All zones, keyswitch zones, user codes and system modules are assigned to specific partitions. The EVO48 only has 4 partitions.

[1]	Partition 1	[3]	Partition 3	[5]	Partition 5	[7]	Partition 7
[2]	Partition 2	[4]	Partition 4	[6]	Partition 6	[8]	Partition 8

13.10.1 Panel Partition Assignment

SECTION [3020]

(default = **00**) The control panel will report system events as originating from one or all enabled partitions. The System Troubles can only be viewed through the partitions enabled in this section. Enter a 2-digit decimal number from 01 to 08 which represent partitions 1 to 8. Enter 00 to disable this feature.

13.11 Shabbat Feature

SECTION [3030]: OPTION [4]

(default = **disabled**) When enabled, addressable detectors and keypads in the system no longer display system status through the LCD and/or LEDs between noon Friday and midnight Saturday. Normal operation is reinstated Sunday at 12:00:01a.m. A user can access all the usual commands and features during the Shabbat period by pressing a key or by entering their access code (depending on how Confidential Mode is configured in the keypad). When no actions have occurred for two minutes, the Shabbat feature will re-activate. During the Shabbat period:

- the LCD keypads only display the date and time
- the backlight is disabled
- the LED indicators on modules are disabled

13.12 Installer Function Keys

Press and hold the **[0]** key and key in the **[INSTALLER CODE]** to access the installer functions and then:

For LCD keypads: Press the key indicated in the list below that corresponds to the function you wish to activate.

For Grafica keypads: Press the center action key (**Options**), highlight the desired function and then press the center action key (**OK**).

[STAY]	TEST REPORT: Sends the <i>Test Report</i> report code programmed in section [3902] to the monitoring station.
[FORCE]	CALL WINLOAD: Dials the PC telephone number programmed in section [3010] to communicate using WinLoad.
[ARM]	ANSWER WINLOAD: Forces the control panel to answer a call made by the monitoring station that is using WinLoad.
[DISARM]	CANCEL COMMUNICATION: Cancels all communication with the monitoring station or WinLoad until the next reportable event.
[MEM]	INSTALLER TEST MODE: Perform walk tests where the bell or siren squawks once when a zone opens and twice when it closes. Press [MEM] again to exit. Partitions cannot be armed if the Installer Test Mode is enabled.
[TRBL]	START MODULE SCAN: Verifies the status of modules on the combus. The LCD Keypads display the serial number of each module connected to the combus.
[ACC]	START VOLTMETER READING (EVO641 only): Verifies if the combus is supplying enough power at the keypad's location.

13.13 Module Reset

SECTION [4001]

To reset a module connected to the combus to its default values, key in the module's serial number into section [4001].

13.14 Locate Module

SECTION [4002]

To locate a specific module on the combus, key in the module's serial number into section [4002]. The LED on the module flashes until the serial number is entered or the module's tamper or unlocate switch is pressed.

13.15 Module Programming

SECTION [4003]

To program a module, enter section [4003] to enter *Module Programming Mode* (see section 3.5 on page 8), and enter the module's serial number. To exit, press the **[CLEAR]** key until Normal Mode is displayed.

13.16 Module and Label Broadcast

SECTION [4004]

Module Broadcast

To copy the contents of the programming sections from one module to another, enter the serial number of the source module in section [4004], enter the serial numbers of all the destination modules and press **[ACC]** or the center action key (**Start**).

Label Broadcast

Copy the User Labels, Zone Labels (sections [0301] to [0396]), the Door Labels (sections [2301] to [2332]) and the Partition Labels (sections [3100], [3200], [3300], [3400], [3500], [3600], [3700] and [3800]) to all the modules in the system that support these labels. To transmit the labels, in section [4004], enter the control panel's serial number. From the Destination screen, do not enter a serial number and press **[ACC]** if using an LCD keypad or the center action key (**Start**) if using a Grafica keypad.



The Module and Label Broadcast feature will only work when a module is broadcasting its data to a module or to modules of the same type and model number.

13.17 System Date & Time

The System Date and Time is programmed through the User Menu.

13.18 Quick Module Scanning

SECTION [4005]

After entering the section, the control panel will scan all addresses assigned to modules. If any missing modules are detected (i.e. detector removed from the combus), the control panel will erase the module's serial number, removing the module from the control panel's memory.

13.19 Module Scanning

SECTION [4006]

After entering the section, the control panel will scan all addresses on the combus. If any missing modules are detected (i.e. detector removed from the combus), the control panel will erase the module's serial number, removing the module from the control panel's memory. If new modules are detected, the serial number will be entered in the control panel's memory.

13.20 Serial Number Viewing

SECTION [4000]

Enter section [4000] to view the serial number of the control panel and all the modules on the combus. The firmware version of some modules will be displayed as well (e.g. (XXXXXXXX) VXX.XX).

For LCD Keypads: The keypad will display the control panel's serial number. Use the **[▲]** and **[▼]** keys to scroll.

For Grafica Keypads: The keypad will display the control panel's serial number. Press the center action key (**Next**) to scroll.

13.21 Power Save Mode

SECTION [3033]: OPTIONS [4]

(default = **enabled**) When enabled and the control panel is running on the backup battery, the control panel can set all keypads into Power Save Mode. The keypad's backlight and LEDs are disabled until a key is pressed, an alarm occurs or an Entry Delay is triggered.

13.22 Auto Trouble Shutdown

SECTION [3021]

(default = **00**) If a trouble occurs more than the number programmed, the control panel stops reporting the trouble. Enter a value between 01 and 15, (00 = disabled). Each trouble has its own counter that is reset at midnight.

13.23 No AC Fail Display

SECTION [3030]: OPTION [6]

(default = **disabled**) When enabled, the control panel will not display the AC Failure as a trouble. When an AC Failure occurs with this option enabled:

- the AC LED will extinguish
- the AC Failure report code will be reported.
- the trouble will not appear in the Trouble Display
- the keypad will not beep to indicate the trouble

13.24 Multiple Action Feature

SECTION [3033]: OPTION [1]

(default = **disabled**) When enabled, users will remain in the User Menu after entering their access code. With option [1] off, the control panel will exit the User Menu after every action.

13.25 System Labels

The existing label displayed on the LCD screen can be modified to suit the installation's needs. Each label contains a maximum of 16 characters.

To re-program the System Label, enter the desired section and use *Table 7*, *Table 9* and *Table 8* (page 32) to modify the label. For other languages, refer to *Table 10* to *Table 14* on page 33. For instructions on how to enter letters and special characters for the Grafica keypad, refer to "Grafica's Online Manual". A complete "Grafica Online Manual" is available on our website at paradox.com.

Zone Labels: Sections [0301] to [0396] represent Zones 01 to 96.

Door Labels: Sections [2301] to [2332] represent Doors 01 to 32.

Partition Labels:

Partition 1: [3100]	Partition 3: [3300]	Partition 5: [3500]	Partition 7: [3700]
Partition 2: [3200]	Partition 4: [3400]	Partition 6: [3600]	Partition 8: [3800]

Table 7: Keys

Press	Feature	Description
[STAY]	Insert Space	Inserts a blank space in the cursor's position
[FORCE]	Delete	Deletes the character or blank space found at the cursor's position
[ARM]	Delete Until the End	Deletes all characters and spaces to the right of the cursor and at the cursor's position
[DISARM]	Numeric or Alphanumeric	Switches from numeric keys to alphanumeric keys and vice versa (see Table 8)
[BYP]	Lower or Upper Case	Switches the case setting from lower to upper case and vice versa
[MEM]	Special Characters	The cursor will turn into a flashing black square. Enter the 3-digit number that represents the desired symbol (see Table 9 on page 32, Table 13 on page 33 and Table 14 on page 33).

Table 8: Numeric and Alphanumeric keys

Key	Numeric	Alphanumeric		
	Press key one time	Press key one time	Press key two times	Press key three times
[0]	0	---	---	---
[1]	1	A	B	C
[2]	2	D	E	F
[3]	3	G	H	I
[4]	4	J	K	L
[5]	5	M	N	O
[6]	6	P	Q	R
[7]	7	S	T	U
[8]	8	V	W	X
[9]	9	Y	Z	

Table 9: Special Characters Catalogue

032	048	064	080	096	112	128	144	160	176	192	208	224	240
!	1	A	Q	a	q	ù	é	à	û	ø	·	α	ρ
	050	066	082	098	114	130	146	162	178	194	210	226	242
#	3	C	S	c	s	ü	ë	ï	↑	β	·	¼	∞
\$	4	D	T	d	t	û	è	ì	↓	ç	'	¾	Ω
%	5	E	U	e	u	ü	é	í	⊗	~	¼	∞	∞
&	6	F	V	f	v	ü	è	ñ	∞	∞	∞	∞	∞
'	7	G	W	g	w	ö	ë	ñ	∞	∞	∞	∞	∞
<	8	H	X	h	x	ò	è	ñ	∞	∞	∞	∞	∞
>	9	I	Y	i	y	ó	ä	∞	∞	∞	∞	∞	∞
*	:	J	Z	j	z	o	∞	∞	∞	∞	∞	∞	∞
+	:	K	L	k	l	ö	∞	∞	∞	∞	∞	∞	∞
,	<	L	I	l	i	ò	∞	∞	∞	∞	∞	∞	∞
-	=	M	J	m	j	ó	∞	∞	∞	∞	∞	∞	∞
.	>	N	^	n	^	ò	∞	∞	∞	∞	∞	∞	∞
/	?	O	-	o	-	ó	∞	∞	∞	∞	∞	∞	∞

Table 10: Hebrew Keypad Letter Assignment

Key	Press key once	Press key twice	Press key three times
[1]	א	ב	ג
[2]	ד	ה	ו
[3]	ז	ח	ט
[4]	י	כ	ל
[5]	מ	נ	ס
[6]	ע	פ	צ
[7]	ק	ר	ש
[8]	ת	ך	ץ
[9]	ך	ש	ת

Table 11: Russian Keypad Letter Assignment

Key	Press key once	Press key twice	Press key three times	Press key four times
[1]	А	Б	В	Г
[2]	Д	Е	Ё	Ж
[3]	З	И	Й	К
[4]	Л	М	Н	О
[5]	П	Р	С	Т
[6]	У	Ф	Х	Ц
[7]	Ч	Ш	Щ	Ъ
[8]	Ы	Ь	Э	Ю
[9]	Я			

Table 12: Greek Keypad Assignment

Key	Press key once	Press key twice	Press key three times
[1]	Α	Β	Γ
[2]	Δ	Ε	Ζ
[3]	Η	Θ	Ι
[4]	Κ	Λ	Μ
[5]	Ν	Ξ	Ο
[6]	Π	Ρ	Σ
[7]	Τ	Υ	Φ
[8]	Χ	Ψ	Ω

Table 13: Hebrew Special Characters Catalogue

032	048	064	080	096	112	160	176	192	208	224	240
!	1	א	ב	א	ב	א	ב	א	ב	א	ב
033	049	065	081	097	113	161	177	193	209	225	241
!"	1	א	ב	א	ב	א	ב	א	ב	א	ב
034	050	066	082	098	114	162	178	194	210	226	242
#"	2	ב	ר	ב	ר	ב	ר	ב	ר	ב	ר
035	051	067	083	099	115	163	179	195	211	227	243
#	3	ב	ר	ב	ר	ב	ר	ב	ר	ב	ר
036	052	068	084	100	116	164	180	196	212	228	244
φ	4	ד	ט	ד	ט	ד	ט	ד	ט	ד	ט
037	053	069	085	101	117	165	181	197	213	229	245
%	5	ע	ו	ע	ו	ע	ו	ע	ו	ע	ו
038	054	070	086	102	118	166	182	198	214	230	246
&	6	פ	ו	פ	ו	פ	ו	פ	ו	פ	ו
039	055	071	087	103	119	167	183	199	215	231	247
'	7	ג	ו	ג	ו	ג	ו	ג	ו	ג	ו
040	056	072	088	104	120	168	184	200	216	232	248
(8	ח	ו	ח	ו	ח	ו	ח	ו	ח	ו
041	057	073	089	105	121	169	185	201	217	233	249
)	9	י	ו	י	ו	י	ו	י	ו	י	ו
042	058	074	090	106	122	170	186	202	218	234	250
*	:	י	ז	י	ז	י	ז	י	ז	י	ז
043	059	075	091	107	123	171	187	203	219	235	251
+	;	כ	ל	כ	ל	כ	ל	כ	ל	כ	ל
044	060	076	092	108	124	172	188	204	220	236	252
,	<	ל	ע	ל	ע	ל	ע	ל	ע	ל	ע
045	061	077	093	109	125	173	189	205	221	237	253
-	=	מ	נ	מ	נ	מ	נ	מ	נ	מ	נ
046	062	078	094	110	126	174	190	206	222	238	254
.	>	נ	ה	נ	ה	נ	ה	נ	ה	נ	ה
047	063	079	095	111	127	175	191	207	223	239	255
/	?	ו	ו	ו	ו	ו	ו	ו	ו	ו	ו

Table 14: Russian Special Characters Catalogue

032	048	064	080	096	112	128	144	160	176	192	208	224	240
	0	Ѡ	Р	ѡ	р			Б	Ю	ѣ		Д	1/4
033	049	065	081	097	113	129	145	161	177	193	209	225	241
!	1	А	Q	а	q			Г	Я	ш		Ц	1/3
034	050	066	082	098	114	130	146	162	178	194	210	226	242
!"	2	В	Р	в	р			Е	Ѡ	ь		Ш	1/2
035	051	067	083	099	115	131	147	163	179	195	211	227	243
#	3	С	С	с	с			Ж	В	Ы	!!	Д	
036	052	068	084	100	116	132	148	164	180	196	212	228	244
\$	4	Д	Т	д	т			З	Г	Ь		Ф	
037	053	069	085	101	117	133	149	165	181	197	213	229	245
%	5	Е	U	e	u			И	ѐ	Э		И	
038	054	070	086	102	118	134	150	166	182	198	214	230	246
&	6	Ф	V	f	v			Й	Ж	Ю		Ш	
039	055	071	087	103	119	135	151	167	183	199	215	231	247
'	7	Г	W	g	w			Л	З	Я	!	'	
040	056	072	088	104	120	136	152	168	184	200	216	232	248
(8	Х	h	х				П	И	«		**	
041	057	073	089	105	121	137	153	169	185	201	217	233	249
)	9	И	Y	i	y			У	Й	»	↑	~	
042	058	074	090	106	122	138	154	170	186	202	218	234	250
*	:	Ј	Z	j	z			Ф	К	„	↓	é	
043	059	075	091	107	123	139	155	171	187	203	219	235	251
+	;	К	[k	10			Ч	Л	“		ç	
044	060	076	092	108	124	140	156	172	188	204	220	236	252
,	<	Л	l	12				Ш	М			ij	
045	061	077	093	109	125	141	157	173	189	205	221	237	253
-	=	М]	m	15			Ь	И	ć		§	
046	062	078	094	110	126	142	158	174	190	206	222	238	254
.	>	Н	^	n	←			Ы	П	f		¶	
047	063	079	095	111	127	143	159	175	191	207	223	239	255
/	?	О	_	o				Э	Т	£		°	

Table 15: Greek Special Characters Catalogue

016	032	048	064	080	096	112	128	144	160	176	192	208	224	240
±	0	Ѡ	Р	ѡ	р	Ϝ	Ϛ	ϛ	Ϝ	Ϛ	ϛ	Ϝ	Ϛ	ϛ
017	033	049	065	081	097	113	129	145	161	177	193	209	225	241
≡	!	1	Α	Q	α	q	Ϛ	ϛ	Ϝ	Ϛ	ϛ	Ϝ	Ϛ	ϛ
018	034	050	066	082	098	114	130	146	162	178	194	210	226	242
⌋	!"	2	Б	Р	б	р	ϛ	Ϝ	Ϛ	ϛ	Ϝ	Ϛ	ϛ	Ϝ
019	035	051	067	083	099	115	131	147	163	179	195	211	227	243
⌋	#	3	С	С	с	с	ϛ	Ϝ	Ϛ	ϛ	Ϝ	Ϛ	ϛ	Ϝ
020	036	052	068	084	100	116	132	148	164	180	196	212	228	244
⌋	\$	4	Д	Т	д	т	ϛ	Ϝ	Ϛ	ϛ	Ϝ	Ϛ	ϛ	Ϝ
021	037	053	069	085	101	117	133	149	165	181	197	213	229	245
⌋	%	5	Е	U	e	u	ϛ	Ϝ	Ϛ	ϛ	Ϝ	Ϛ	ϛ	Ϝ
022	038	054	070	086	102	118	134	150	166	182	198	214	230	246
⌋	&	6	Ф	V	f	v	ϛ	Ϝ	Ϛ	ϛ	Ϝ	Ϛ	ϛ	Ϝ
023	039	055	071	087	103	119	135	151	167	183	199	215	231	247
⌋	'	7	Г	W	g	w	ϛ	Ϝ	Ϛ	ϛ	Ϝ	Ϛ	ϛ	Ϝ
024	040	056	072	088	104	120	136	152	168	184	200	216	232	248
⌋	(8	Х	h	х	ϛ	Ϝ	Ϛ	ϛ	Ϝ	Ϛ	ϛ	Ϝ	Ϛ
025	041	057	073	089	105	121	137	153	169	185	201	217	233	249
⌋)	9	И	Y	i	y	ϛ	Ϝ	Ϛ	ϛ	Ϝ	Ϛ	ϛ	Ϝ
026	042	058	074	090	106	122	138	154	170	186	202	218	234	250
⌋	*	:	Ј	Z	j	z	ϛ	Ϝ	Ϛ	ϛ	Ϝ	Ϛ	ϛ	Ϝ
027	043	059	075	091	107	123	139	155	171	187	203	219	235	251
⌋	+	;	К	[k	10	ϛ	Ϝ	Ϛ	ϛ	Ϝ	Ϛ	ϛ	Ϝ
028	044	060	076	092	108	124	140	156	172	188	204	220	236	252
⌋	=	<	Л	l	12		ϛ	Ϝ	Ϛ	ϛ	Ϝ	Ϛ	ϛ	Ϝ
029	045	061	077	093	109	125	141	157	173	189	205	221	237	253
⌋	-	=	М]	m	15	ϛ	Ϝ	Ϛ	ϛ	Ϝ	Ϛ	ϛ	Ϝ
030	046	062	078	094	110	126	142	158	174	190	206	222	238	254
⌋	.	>	Н	^	n	←	ϛ	Ϝ	Ϛ	ϛ	Ϝ	Ϛ	ϛ	Ϝ
031	047	063	079	095	111	127	143	159	175	191	207	223	239	255
⌋	/	?	О	_	o		ϛ	Ϝ	Ϛ	ϛ	Ϝ	Ϛ	ϛ	Ϝ


Access Codes

14.1 Installer Code

SECTION [1000]

(default = 000000) The Installer Code is six digits in length where each digit can be any value from 0 to 9. To change the Installer Code:

1. Press and hold [0]
2. Enter [INSTALLER CODE]
3. Key in [1000]
4. Enter new 6-digit [INSTALLER CODE]

 *The Installer Code can program the User Code Options and the Partition Assignment, but cannot program the personal identification numbers.*

14.2 Access Code Length

SECTION [3033]: OPTIONS [2] AND [3]

Access codes can be 1 to 6 digits in length if flexible user access code is enabled. When programming access codes with less than 6 digits, press the [ENTER] key after entering the last digit. The control panel automatically removes the last 2 digits of the user access code if the length is changed from 6 digits to 4 digits. However, if the user access code length is changed from 4 digits to 6 digits, the control panel adds 2 digits to the end by using the first 2 digits.

[2]	[3]	
OFF	OFF	4-digit User Access Code (default)
OFF	ON	6-digit User Access Code
ON	ON	Flexible User Access Code

14.3 System Master Code


SECTION [1001]

(default = 123456) The Installer Code can change the User Code Options, Partition Assignment and Access Control Options, but cannot change the personal identification number (PIN). Each digit in the System Master Code can be any value from 0 to 9. To reset the System Master Code, refer to section 13.2 on page 30. With the System Master Code, a user can use any of the available arming methods with access to all partitions and can program all user access codes, User Options, Partition Assignments and Access Control Options.

14.4 Programming Access Codes

SECTIONS [1002] TO [1999]

(default = all options are off except bypass) The control panel supports 998 user access codes. In sections [1002] to [1999], the Installer Code can program the User Code Options, Partition Assignment and Access Control Options, but cannot program the personal identification numbers (PIN). To program the PINs, refer the users to the "System Manager's Manual". The System Master Code or a user with the Master feature enabled can program the User Code Options, Partition Assignment, Access Control Options and User Labels using a different method of programming.

 *If no partition assignment is selected, the user access code will **only** be able to activate PGMs.*

To program user labels, refer to the "LCD Keypad System Manager's Manual" or to the "Grafica Graphic LCD Keypad Online Help".

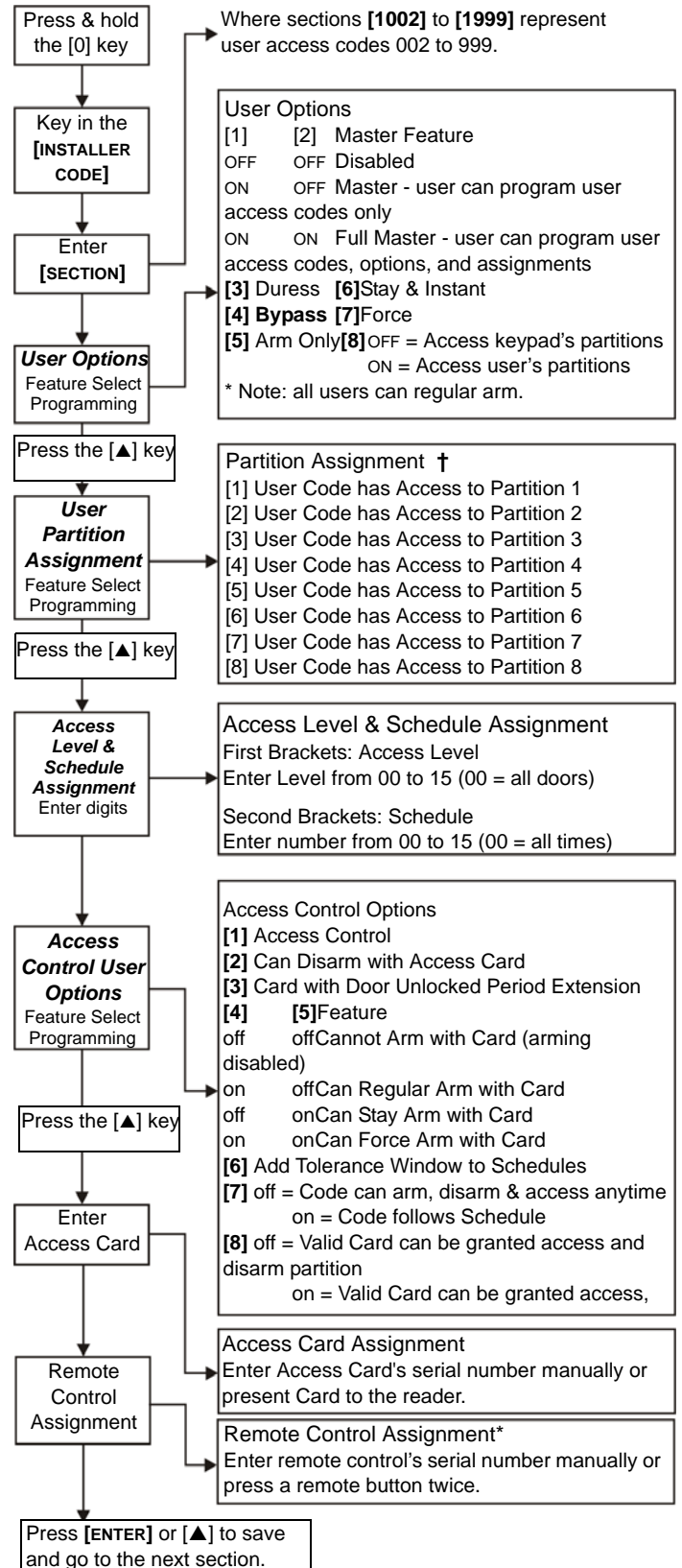
14.5 User Options

SECTIONS [1002] TO [1999]: USER OPTIONS SCREEN, OPTIONS [1] TO [8]

The User Options define how each user access code can arm or disarm the partitions. All users can Regular arm their assigned partitions, but only those with the Arm Only option disabled can disarm an assigned partition.

Enable or disable the options as required for each user access code as shown in Figure 18.

Figure 18: Programming User Access Codes




† The default setting depends on the programming user's assigned partitions. For example, when a user (with master feature) that is assigned to partitions 1 and 2 programs a user code, partitions 1 and 2 will be the default setting for the new user.

* Remote controls can also be assigned using a Master Code.

14.6 Partition Assignment

SECTIONS [1002] TO [1999]: ASSIGN AREA SCREEN, OPTIONS [1] TO [8]
Each of the 998 user access codes can be assigned to one or more partitions. Users can only arm, disarm and view the status of the partitions assigned to their user access codes. Select one or more of the partitions for each user access code as shown in Figure 18 on page 34.

 If no partition assignment is selected, the user access code will **only** be able to activate PGMs.


The default setting depends on the programming user's assigned partitions. For example, when a user (with master feature) that is assigned to partitions 1 and 2 programs a user code, partitions 1 and 2 will be the default setting for the new user.


[1]	[2]		
OFF	OFF	Master disabled	User cannot create or modify other user access codes.
ON	OFF	Master enabled	User can create new user access codes with default options only, can program PINs and User Labels.
ON	ON	Full Master enabled	User can create and modify user access codes and program the User Options, Partition Assignment (can assign only the partitions the Master Code has access to), Access Control features, PINs and User Labels.
[3]		Duress	A Duress enabled user access code can arm or disarm the partition and can immediately transmit a silent alarm to the monitoring station.
[4]		Bypass	User can program bypass entries.
[5]		Arm Only	User can arm assigned partitions, but cannot disarm.
[6]		Stay or Instant Arm	User can Stay arm or Instant arm assigned partitions.
[7]		Force Arm	User can Force arm assigned partitions
[8]		User Menu Access	Option [8] ON = User can access all its assigned partitions, regardless of the keypad's partition assignment. Option [8] OFF = User can only access the partitions assigned to both itself and the keypad.

14.7 Access Control

SECTIONS [1002] TO [1999]

In addition to the user access code options, the following options can be programmed when Access Control is enabled: Access Level, Schedule, Access Options and Access Card. For details on Access Control, see section 15 on page 36.

 The System Master Code and user access codes with the Full Master feature enabled can also program the Access Level, Schedule, Access User Options, and Access Card using another method for programming.

 The System Master Code has access to all doors all the time. Only the card's serial number and the choice of arming method can be changed. If the other options are changed, the System Master Code will revert to its original programming.

14.7.1 Access Level Assignment

SECTIONS [1002] TO [1999]: LEVEL + SCHEDULE SCREEN

User access codes can only open the doors included in their assigned Access Level (see section 15.5 on page 36). In the first set of brackets, enter the two-digit Access Level number (00 to 15, 00 = unrestricted) to be assigned to that user access code.

14.7.2 Schedule Assignment

SECTIONS [1002] TO [1999]: LEVEL + SCHEDULE SCREEN


Schedules determine the hours, days and holidays that user access codes can open the doors in their assigned Access Level (see section 15.6). In

the second set of brackets, enter the two-digit Primary Schedule number (00 to 15, 00 = unrestricted) to be assigned to that user access code.

14.7.3 Access Control Options

SECTIONS [1002] TO [1999]: ACCESS OPTION SCREEN, OPTIONS [1] TO [8]

The Access Control Options define how each Access Card can arm or disarm the partitions. To arm the partition(s) assigned to the door, a valid card is presented to the reader twice within approximately 5 seconds while the door remains closed. For the card to be valid, it must be presented during its assigned Schedule, within its assigned Access Level and be assigned to the keypad's assigned partitions depending on the Door Access Mode (see section 15.10 on page 37). Enable or disable the options as required for each Access Card as shown in Figure 18 on page 34.

 A user that is not assigned to any partition, but has the access control user option [1] enabled ("Access Control"), can now gain access to an access control door by entering a code # (PIN) and then pressing the [ACC] keypad button.

[1]	Access Control	ON = User's Access Control feature is enabled and user has access when the control panel's Access Control feature is enabled. OFF = User's Access Control feature is disabled, but the user access code remains unaffected. This can be used to disable a lost or stolen card without deleting the user access code.	
[2]	Card can Disarm	Card can unlock Door and disarm assigned partitions. User Option [5]: Arm Only must be disabled for this feature to function.	
[3]	Card with Extended Unlocked Period	Card uses the Door Unlocked Period Extension feature (see DGP-ACM12's "Reference & Installation Manual").	
[4]	[5]		
OFF	OFF	Arming Disabled	Cannot arm partitions
ON	OFF	Regular Arm	Card can Regular arm
OFF	ON	Stay Arm	Card can Stay arm
ON	ON	Force Arm	Card can Force arm
[6]	Add Tolerance Windows to Schedules	Card and Code use the Schedule Tolerance Windows (see section 9.3.2 on page 24 and section 15.9 on page 36).	
[7]	Code follows Schedule	ON = Code is only valid during assigned Schedule (see section 14.7.2). OFF = Code is valid at all times.	
[8]	Card to Unlock and Code to Disarm	ON = A door contact must be installed on the Door, the Door must be assigned to a zone (section 4.2) and the zone defined as an Entry Delay. A valid Card can unlock the Door, but cannot disarm the partition. If the partition is armed, the Entry Delay is triggered and a user access code must be entered to disarm the area. User Option [5]: Arm Only and Access Control Option [2]: Card can Disarm must be disabled for this feature to function. OFF = A valid Card can unlock the Door and disarm the partition.	

14.7.4 Access Card Assignment

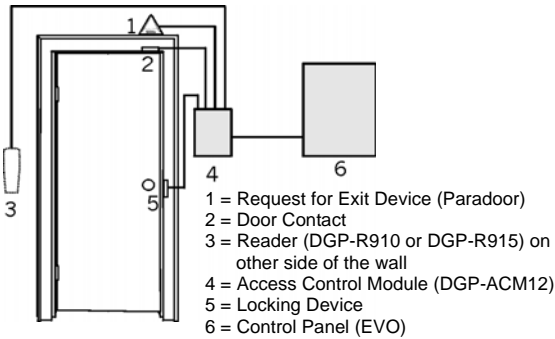
SECTIONS [1002] TO [1999]: ACCESS CARD SCREEN

The Access Card is activated by assigning its serial number to the user access code. EVO supports 26-bit Wiegand proximity cards and readers (recommended: DGP-R910 reader and CR-R700 Series cards). Enter the serial number manually or present the Access Card to the keypad's reader and its serial number will register automatically.

Access Control: System Features

For details on connecting Access Control devices, refer to the "Digiplex Access Control Module Reference & Installation Manual".

Figure 19: Typical Access Control Installation*



Persons authorized to access the protected area are issued cards assigned to user access codes programmed with an Access Level (see section 15.5) and a Schedule (see section 15.6). The control panel determines whether or not to unlock the door depending on the card's schedule and access.

15.1 Common Access Control Terms

Access Alarm: A warning generated by the reader if an Access Door is open past the programmed time or if it was opened without the proper signal. This event is logged in the Event Buffer, but cannot be reported.

Access Card: A tag assigned to a user access code used to identify the user to the Access Control system.

Access Denied: The system preventing access through an Access Door.

Access Granted: The system granting access through a protected door.

Burglar Alarm: An warning sent to the control panel if an armed zone in the EVO security system has been breached. This event is logged in the Event Buffer and can be reported to a monitoring station.

Door Left Open: Each Access Door is programmed with a period of time it is allowed to stay open. An Access Alarm will be triggered after that period.

Forced Door: An Access Door was opened without an "Access Granted" or "Request for Exit" signal, a silent or audible Access Alarm can be triggered.

Reader: An Access Control device (DGP-R910) located near an Access Door that sends the information from an Access Card to the control panel.

Request for Exit: When a REX device (Paradoor 460) detects movement, it sends a request-for-exit signal to the panel.

Valid Card: An Access Card presented to a reader during its assigned Schedule and within its assigned Access Level.

15.2 Programming Overview

The following is the **MINIMUM** required to program Access Control:

1. Enable Access Control in section [3038] option [1].
2. Assign the Doors in sections [2201] to [2232].
3. Create the Access Levels in sections [2601] to [2615].
4. Create the Schedules in sections [2401] to [2432].
5. Set the Holidays in sections [2701] to [2712].
6. Program user access codes (see section 14 on page 34).
7. Program the Access Control Modules.

15.3 Enable Access Control

SECTION [3038]: OPTION [1]

(default = disabled) Enable to activate Access Control.

their Schedule. Enter any value between 001 and 255 (default = 000) to

15.4 Door Numbering

SECTIONS [2201] TO [2232]

Each door monitored and controlled requires an Access Control Module (DGP-ACM12) or an access keypad. The keypad or module is assigned to the door in sections [2201] to [2232]. EVO supports up to 32 Doors.

15.5 Access Levels

SECTIONS [2601] TO [2615]

Access Levels determine which Doors a user can access. Each Access Level is a combination of the Doors from sections [2201] to [2232]. They are assigned to the users through their user access codes (refer to the "System Manager's Manual"). Sections contains four screens representing the 32 Doors. Level 00 allows the user to access all.

Level 01: [2601]	01 to 08	09 to 16	17 to 24	25 to 32
to				
Level 15: [2615]	01 to 08	09 to 16	17 to 24	25 to 32

15.6 Access Schedules

SECTIONS [2401] TO [2432]

Schedules consist of two programmable time periods called Interval A and B. Enter the Start Time and the End Time in the first and second screen. Select the days in which it is valid in the third screen. Option [8] represents the programmed holidays. If enabled, users have access between the Start Time and End Time during the holidays. An Interval cannot cross into another day. Schedules are assigned to the users through their user access codes (refer to the "System Manager's Manual"). Primary Schedules 001 to 015 are programmed in sections [2401] to [2415] respectively. Secondary Schedules 016 to 032 are programmed in sections [2416] to [2432] respectively. Schedule 000 allows the user access at all times. Primary Schedules can be assigned to user access codes. Secondary Schedules are Backup Schedules.

Section		Start Time	End Time	Days
Schedule 001: [2401] to Schedule 032: [2432]	A:	set as per 24hr. clock	set as per 24hr. clock	[1] = Sunday (S) [2] = Monday (M) [3] = Tuesday (T) [4] = Wednesday (W) [5] = Thursday (T) [6] = Friday (F) [7] = Saturday (S) [8] = Holidays (H)
	B:	set as per 24hr. clock	set as per 24hr. clock	

15.7 Backup Schedules

SECTION [2501] TO [2532]

When an Access Card or user access code is used at an Access Door, the control panel verifies whether it was used during its assigned Primary Schedule. If there are linked schedules, it will verify them. The control panel will verify up to 8 linked Schedules. Each Schedule from 001 to 032 can be linked to another Schedule in sections [2501] to [2532]. In each section enter the 3-digit Schedule number to link it.

15.8 Holiday Programming

SECTIONS [2701] TO [2712]

Holiday Programming identifies holidays. Each section from [2701] to [2712] represents a month. Each section includes four groups of five to eight options that represent the days of the month. Enable the options representing the holidays.

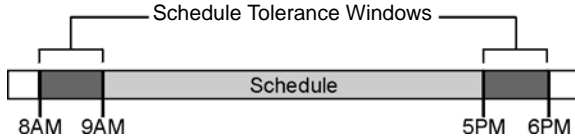
15.9 Schedule Tolerance Window

SECTION [3039]

User access codes with 'Add Tolerance Windows to Schedules' enabled have the number of minutes programmed in [3039] added before and after determine Schedule Tolerance Window in minutes.

Figure 20: Example of a Schedule Tolerance Window

User's assigned Schedule is 9a.m. to 5p.m. When 'Add Tolerance Windows to Schedules' is enabled for the user, the user has access from 8a.m. to 6p.m.



The Schedule Tolerance Window applies to Access Schedules only (see section 15.6 on page 36), and not to the Arming and Disarming Report Schedules (see section 9.3.1 on page 23).

15.10 Door Access Mode

SECTION [2251] TO [2282]: OPTION [1]

Access Door and user can be assigned to one or more partitions in the security system. Actions performed by the user will be directly linked to the partition(s) assigned to that door. Doors 01 to 32 are programmed in sections [2251] to [2282] respectively.

[1]	ON	"OR" Access Door The Access Door grants access or permits arming or disarming to users assigned to at least one of the door's partitions. An "OR" door will arm or disarm only the partitions that it has in common with the users.
[1]	OFF	"AND" Access Door The Access Door grants access or permits arming only to users assigned to all the door's assigned partitions.

15.11 Code Access

SECTION [2251] TO [2282]: OPTION [2]

Code Access can allow access to an Access Door by entering a valid user access code and pressing the [ACC] key on a EVO641 LCD Keypad instead of using the Access Card. The control panel will verify its assigned Access Level and Schedule. Doors 01 to 32 are programmed in sections [2251] to [2282] respectively.

[2]	ON	[ACC] key enabled
[2]	OFF	Access with Card only



This option is not available for LED and Grafica Keypads.

15.12 Card and Code Access

SECTION [2251] TO [2282]: OPTION [3]

The Access Door can be programmed to require a user to present a valid Access Card and then enter the user's valid code on a DGP-R915 that is connected to an Access Control Module (DGP-ACM12). The DGP-R915 and the Access Control Module must be correctly configured. Please refer to the DGP-R915 "Installation and Operating Instructions", and to the Access Control Module "Reference & Installation Manual" for instructions. Doors 01 to 32 are programmed in sections [2251] to [2282] respectively.

[3]	ON	Access Card AND User Access Code required
[3]	OFF	Access Card OR User Access Code



When option [3] is enabled, the Access Card must be presented **before** the user access code is entered.

15.13 Skip Exit Delay When Arming With Access Card

SECTION [3038]: OPTION [6]

(default = **disabled**) When arming with an Access Card, the system can arm with or without starting the Exit Delay.

[6]	ON	The Exit Delay is cancelled
[6]	OFF	The Exit Delay is triggered

15.14 Restrict Arming on Door

SECTION [2251] TO [2282]: OPTION [4]

With option [4] ON, the control panel can prevent an Access Card from arming the partition(s) assigned to the door even if the Access Card is programmed to permit arming.

15.15 Restrict Disarming on Door

SECTION [2251] TO [2282]: OPTION [5]

With option [5] ON, the control panel can prevent an Access Card from disarming the partition(s) assigned to the door even if the Access Card is programmed to permit disarming.

15.16 Door Access During Clock Loss

SECTION [3038]: OPTION [8]

(default = **disabled**) If the system registers a Clock Loss Trouble, the control panel will no longer recognize the Schedules until the clock is reset. Enable or disable the option as required:

Option		Until the Clock is reset, access can be granted to:
[8]	ON	The System Master or User Access Code with Master feature or Schedule 00 (00 = all times) enabled
[8]	OFF	All users regardless of their programmed Schedules

15.17 Burglar Alarm On Forced Door or Door Left Open

SECTION [3038]: OPTION [5] (FORCED DOOR)

SECTION [3038]: OPTION [7] (DOOR LEFT OPEN)

(default = **disabled**) If an Access Door is forced open or left open, a signal can be sent to the control panel to trigger the burglar alarm. The burglar alarm is generated instantly regardless of the zone's definition.

For these features to function:

- Install a door contact and connect it to the door's Access Control Module
- Assign the Access Control Module to a zone (see *Zone Programming* on page 9)
- Enable option [5] in section [3038]: Burglar Alarm on Forced Door
- Enable option [7] in section [3038]: Burglar Alarm on Door Left Open

15.18 Logging Access Control Events

15.18.1 Log Request For Exit In Event Buffer

SECTION [3038]: OPTION [2]

(default = **disabled**) When enabled, the control panel can record the REX events generated from all the Doors in the Event Buffer, but cannot report these events to the monitoring station. The events can be viewed by entering the *Event Record Display*.



Since REX events can occur often, the Event Buffer may fill up quickly.

15.18.2 Log Door Left Open Restore In Event Buffer

SECTION [3038]: OPTION [3]

(default = **disabled**) When enabled, the Door Left Open Restore event can be recorded in the Event Buffer. These events cannot be reported to the monitoring station, but can be viewed by entering the *Event Record Display*.

15.18.3 Log Door Forced Open Restore In Event Buffer

SECTION [3038]: OPTION [4]

(default = **disabled**) When enabled, the Door Forced Open Restore event can be recorded in the Event Buffer. This event cannot be reported to the monitoring station, but it can be viewed by entering the *Event Record Display*.

WinLoad Software

16.1 Panel Identifier

SECTION [3011]

(default = 0000) Program the same Panel Identifier in the control panel and WinLoad. WinLoad will establish communication on matching identifier. Enter the desired 4-digit hexadecimal number into section [3011].

16.2 PC Password

SECTION [3012]

(default = 0000) Program the same Password in the control panel and WinLoad. WinLoad will establish communication on matching passwords. Enter the desired four-digit hexadecimal number into section [3012].

16.3 PC Telephone Number

SECTION [3010]

The control panel dials this number to communicate with a computer using WinLoad. Enter any digit from 0 to 9 and any special keys or functions (see *Table 4: Special Telephone Number Keys* on page 24) up to a maximum of 32 digits into section [3010].

16.4 Call Back Feature

SECTION [3037]: OPTION [1]

(default = disabled) If enabled and a computer using WinLoad attempts to communicate with the control panel, the control panel hangs up and calls the computer back to verify identification codes and establish communication. When the control panel hangs up, WinLoad automatically goes into *Wait For Call Mode* (see "WinLoad's Online Help"), ready to answer when the control panel calls back. The PC Telephone Number must be programmed.

16.5 Call WinLoad

Dial the PC Telephone Number programmed in section [3010] to communicate with WinLoad. The control panel and WinLoad verify that the Panel Identifier and the PC Password match before establishing communication.



WinLoad must be in Wait For Call Mode (see WinLoad's Online Help).

For LCD Keypads: Press and hold the [0] key, enter your [INSTALLER CODE] and then press [FORCE].

For Grafica Keypads: Press and hold the [0] key, enter your [INSTALLER CODE], press the center action key (Options), highlight **Call WinLoad** and then press the left action key (Select).

16.6 Answer WinLoad

To upload/download on-site, connect the computer to the control panel using an ADP-1 line adapter. In WinLoad set *Dialing Condition* to *Blind Dial*, program the PC telephone number and follow the ADP-1 Adapter's instructions. When the computer has dialed:

For LCD Keypads: Press and hold the [0] key, enter the [INSTALLER CODE] and press [ARM] to answer WinLoad. Press [DISARM] to hang up.

For Grafica Keypads: Press and hold the [0] key, enter the [INSTALLER CODE], press the center action key (Options), highlight **Answer WinLoad** and then press the left action key (Select). To hang up, highlight **Cancel Communication** and then press the left action key (Select).

16.7 Answering Machine Override Delay

SECTION [3052]

(default = 008) Program the Answering Machine Override if WinLoad is used to communicate with an installation that uses an answering machine or service.

Program a value (00 to 15 X 4 seconds, 00 = disabled) representing the delay period the control panel will wait between the first and second call.

To use:

1. Call the installation and, with Winload, press [ENTER] on the keyboard or hang up manually on the second ring.
2. After hanging up, WinLoad immediately calls the installation back or call back manually.

16.8 Ring Counter

SECTION [3051]

(default = 008) The Ring Counter represents the number of rings the control panel will wait before picking up the line. If more than 10 seconds pass between each ring, the Ring Counter resets. Enter any value between 01 to 15 (00 = disabled).

16.9 Event Buffer Transmission

SECTION [3037]: OPTION [2]

(default = disabled) Once the Event Buffer contains 1998 events, the control panel makes two attempts to establish communication through WinLoad by calling the PC Telephone Number programmed in section [3010]. WinLoad must be in *Wait To Dial* mode. The control panel uploads the contents of the Event Buffer to WinLoad. If communication is interrupted before completing transmission or communication is not established after two attempts, the control panel wait until the Event Buffer receives another 1998 events before attempting Event Buffer Transmission. The Event Buffer can hold 2048 Events. If it is full, new event will erase old ones.

16.10 In-Field Firmware Upgrade

1. Connect the CONV4USB or the 307USB to the "Serial" or "Upgrade" port of the module or panel as shown in *Figure 21* and *Figure 22* on page 39.
2. Start WinLoad and click on the In-Field Firmware Programmer button.



*If your control panel is not automatically detected, click the **Com port settings** button and select the correct Com port. Then, click the **Refresh Product Info** button to connect with the panel.*

3. Verify the **product information** located in the window.
4. In the drop down menu, select the most recent version of the firmware.
5. Use this button to load additional firmware files from another location or click **Download firmware from the web** to get the latest firmware online.
6. Click on **Update product firmware**.



If the upgrade process is not completed properly, either because Cancel was pressed or because of technical problems, the panel or module will not function until a firmware is properly transferred.

Figure 21: Upgrading Control Panels and Modules

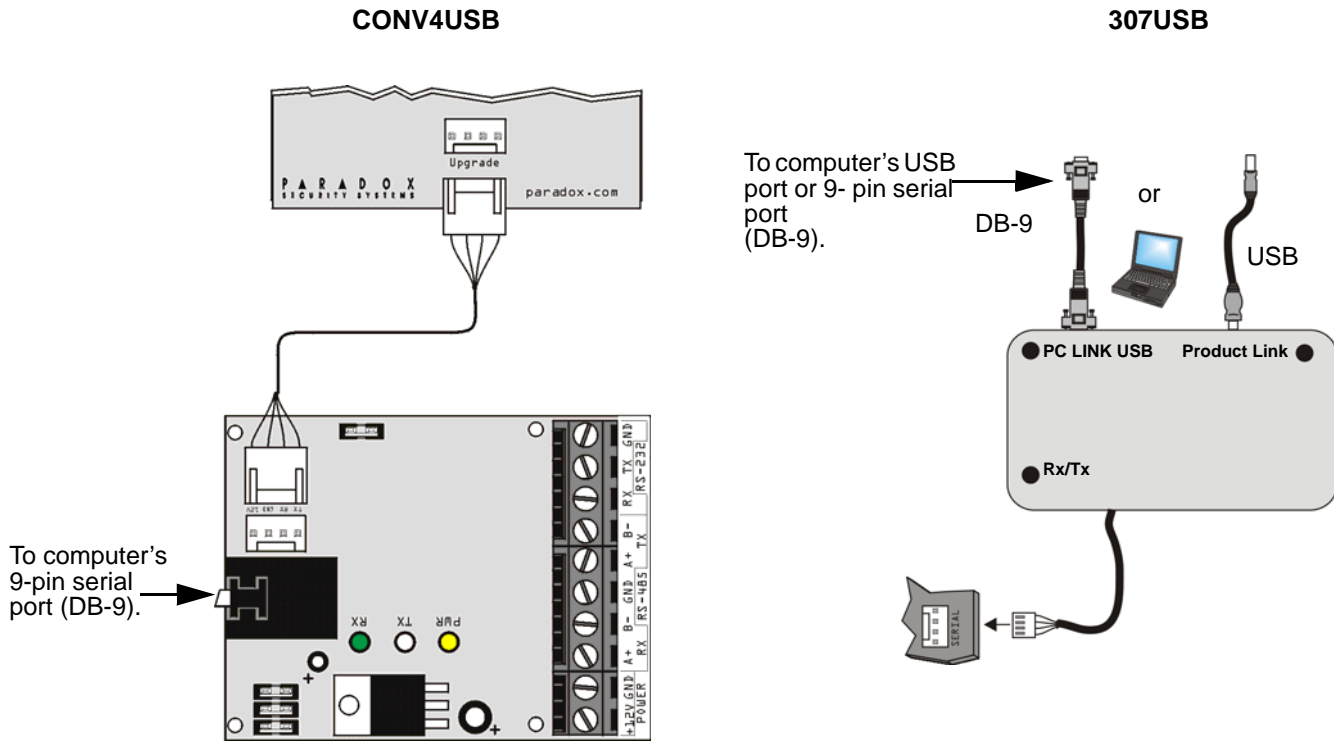
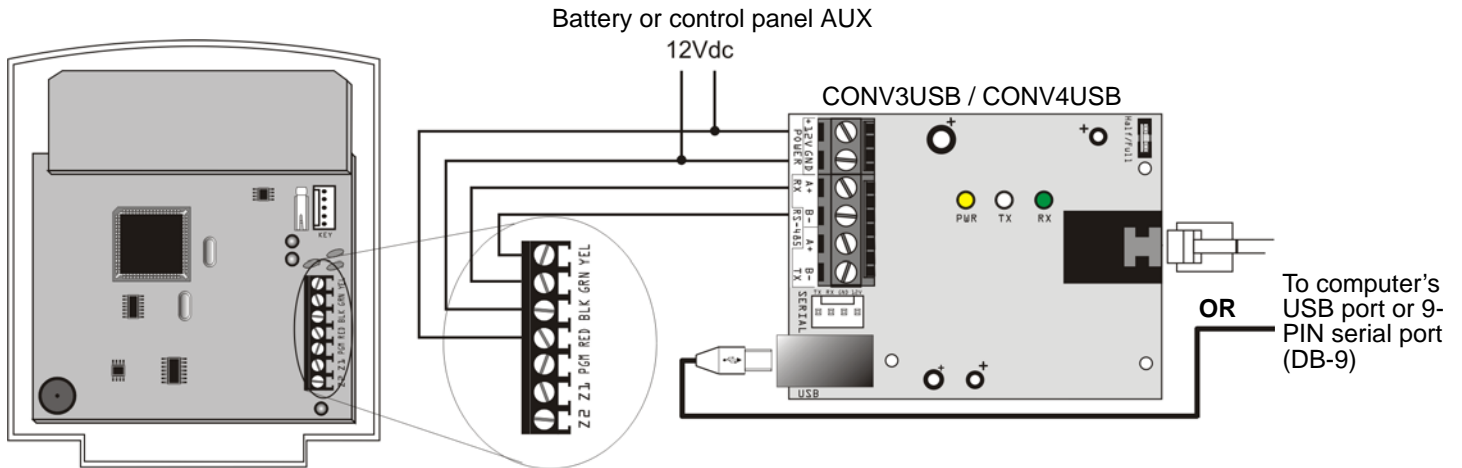


Figure 22: Upgrading EVO641-EVO641R Keypads



Appendix 1: Automatic Report Code List

System Event	Default Contact ID Report Code when using sections [4032] to [4037]	Default SIA Report Code when using sections [4032] to [4037]
Arming with Master Code (##)	3 4A1 - Close by user	CL - Closing Report
Arming with User Code (##)	3 4A1 - Close by user	CL - Closing Report
Arming with Keypad (##)	3 4A9 - Keypad Close	CS - Closing Keypad
Auto Arming	3 4A3 - Automatic Close	CA - Automatic Closing
Arm with PC software	3 4A7 - Remote arm/disarm	CQ - Remote Arming
Late To Close	3 452 - Late to Close	OT - Late to Close
No Movement	3 452 - Late to Close	NA - No Movement Arming
Partial arming	1 456 - Partial Arm	CG - Close Area
Quick arming	3 4A8 - Quick arm	CL - Closing Report
Remote Arm (voice)	3 4A7 - Remote Arm	CQ - Arm with Voice Module
Delinquency Closing	1 654 - System Inactivity	CD - System Inactivity
Disarm with Master Code (##)	1 4A1 - Open by user	OP - Opening Report
Disarm with User Code (##)	1 4A1 - Open by user	OP - Opening Report
Disarm with Keypad (##)	1 4A9 - Keypad Open	OS - Opening Keypad
Disarm after alarm with Master Code (##)	1 4A1 - Open by user	OP - Opening Report
Disarm after alarm with User Code (##)	1 4A1 - Open by user	OP - Opening Report
Disarm after alarm with Keypad (##)	1 4A9 - Keypad Open	OS - Opening Keypad
Cancel alarm with Master Code (##)	1 4A6 - Cancel	OR - Disarm From Alarm
Cancel alarm with User Code (##)	1 4A6 - Cancel	OR - Disarm From Alarm
Cancel alarm with Keypad (##)	1 4A6 - Cancel	OS - Opening Keypad
Auto Arming Cancellation	1 464 - Auto-Arm Time Extended	CE - Closing Extend
Cancel Alarm with PC Software	1 4A6 - Cancel	OR - Disarm From Alarm
Voice Disarm	1 4A7 - Remote arm/disarm	OQ - Remote Disarming
Disarm with PC software	1 4A7 - Remote arm/disarm	OQ - Remote Disarming
Disarm after an alarm with PC software	1 4A7 - Remote arm/disarm	OQ - Remote Disarming
Quick Disarm	1 4A8 - Quick Disarm	OP - Opening Report
Zone Bypassed (##)	1 57A - Zone bypass	UB - Untyped Zone Bypass
Zone alarm (##)	1 13A - Burglary Alarm	BA - Burglary Alarm
Fire alarm (##)	1 11A - Fire alarm	FA - Fire Alarm
Early to Disarm by User	1 451 - Early to Open	OK - Early to Open
Late to Disarm by User	1 452 - Late to Open	OJ - Late to Open
Zone alarm restore (##)	3 13A - Burglary Alarm Restore	BH - Burglary Alarm Restore
Fire alarm restore (##)	3 11A - Fire alarm Restore	FH - Fire Alarm Restore
24Hr Gas alarm (##)	1 13A - Burglary Alarm	GA - Gas Alarm
24Hr Heat alarm (##)	1 13A - Burglary Alarm	KA - Heat Alarm
24Hr Water alarm (##)	1 13A - Burglary Alarm	WA - Water Alarm
24Hr Freeze alarm (##)	1 13A - Burglary Alarm	ZA - Freeze Alarm
24Hr Gas alarm restore (##)	3 13A - Burglary Alarm Restore	GR - Gas Alarm Restore
24Hr Heat alarm restore (##)	3 13A - Burglary Alarm Restore	KR - Heat Alarm Restore
24Hr Water alarm restore (##)	3 13A - Burglary Alarm Restore	WR - Water Alarm Restore
24Hr Freeze alarm restore (##)	3 13A - Burglary Alarm Restore	ZR - Freeze Alarm Restore
Panic 1 - Emergency	1 12A - Panic alarm	PA - Panic Alarm
Panic 2 - Medical	1 1AA - Medical alarm	MA - Medical Alarm
Panic 3 - Fire	1 115 - Pull Station	FA - Fire Alarm
Recent closing	3 459 - Recent Close	CR - Recent Closing
Police Code	1 139 - Burglary Alarm	BM - Burglary Alarm
Global zone shutdown	1 574 - Group bypass	CG - Close Area
Duress alarm	1 121 - Duress	HA - Hold-up Alarm
Zone shutdown (##)	1 57A - Zone bypass	UB - Untyped Zone Bypass
Zone tampered (##)	1 144 - Sensor tamper	TA - Tamper Alarm

System Event	Default Contact ID Report Code when using sections [4032] to [4037]	Default SIA Report Code when using sections [4032] to [4037]
Zone tamper restore (##)	3 144 - Sensor tamper restore	TR - Tamper Restoral
Keypad Lockout	1 421 - Access denied	JA - User Code Tamper
AC Failure	1 3A1 - AC loss	AT - AC Trouble
Battery Failure	1 3A9 - Battery test failure	YT - System Battery Trouble
Auxiliary supply trouble	1 3AA - System trouble	YP - Power Supply Trouble
Bell output current limit	1 321 - Bell 1	YA - Bell Fault
Bell absent	1 321 - Bell 1	YA - Bell Fault
Clock lost	1 626 - Time/Date inaccurate	JT - Time Changed
Fire loop trouble	1 373 - Fire trouble	FT - Fire Trouble
TLM trouble restore	3 351 - Telco 1 fault restore	LR - Phone Line restoral
AC Failure restore	3 3A1 - AC loss restore	AR - AC Restoral
Battery Failure restore	3 3A9 - Battery test restore	YR - System Battery Restoral
Auxiliary supply trouble restore	3 3AA - System trouble restore	YQ - Power Supply restored
Bell output current limit restore	3 321 - Bell 1 restore	YH - Bell Restored
Bell absent restore	3 321 - Bell 1 restore	YH - Bell Restored
Clock programmed	3 625 - Time/Date Reset	JT - Time Changed
Fire loop trouble restore	3 373 - Fire trouble restore	FJ - Fire Trouble Restore
Combus fault	1 333 - Expansion module failure	ET - Expansion Trouble
Module tamper	1 145 - Expansion module tamper	TA - Tamper Alarm
Module ROM_RAM_error	1 3A4 - Rom checksum bad	YF - Parameter Checksum Fail
Module TLM trouble	1 352 - Telco 2 fault	LT - Phone Line trouble
Module fail to communicate to monitoring station	1 354 - Fail to communicate	YC - Communication Fails
Printer fault	1 336 - Local printer failure	VT - Printer Trouble
Module AC Failure	1 3A1 - AC loss	AT - AC Trouble
Module battery failure	1 3A9 - Battery test failure	YT - System Battery Trouble
Module Auxiliary supply trouble	1 3AA - System trouble	YP - Power Supply Trouble
Combus fault restore	3 333 - Expansion module failure restore	ER - Expansion Restoral
Module tamper restore	3 145 - Expansion module tamper restore	TR - Tamper Restoral
Module ROM_RAM_error restore	3 3A4 - Rom checksum bad restore	YG - Parameter Changed
Module TLM restore	3 352 - Telco 2 fault restore	LR - Phone Line Restoral
Early to Arm by User	3 451 - Early to Close	CK - Early to Close
Late to Arm by User	3 452 - Late to Close	CJ - Late to Close
Zone Excluded on Force Arming	1 57A - Zone Bypass	XW - Zone Forced
Zone Went Back to Arm Status	3 57A - Zone Bypass Restore	VV - Zone Included
Printer fault restore	3 336 - Local printer failure restore	VR - Printer Restore
Module AC restore	3 3A1 - AC loss restore	AR - AC Restoral
Module battery restore	3 3A9 - Battery test failure restore	YR - System Battery Restoral
Module Auxiliary supply restore	3 3AA - System trouble restore	YQ - Power Supply Restored
Fail to communicate with monitoring station	1 354 - Fail to communicate	YC - Communication Fails
Module RF low battery	1 384 - RF transmitter low battery	XT - Transmitter Battery Trouble
Module RF supervision trouble	1 381 - Loss of supervision - RF	US - Untype Zone Supervision
Module RF battery restore	3 384 - RF transmitter battery restore	XR - Transmitter Battery Restoral
Module RF supervision restore	3 381 - Supervision restore - RF	UR - Untyped Zone Restoral
Cold Start	1 3A8 - System shutdown	RR - Power Up
Warm Start	1 3A5 - System reset	YW - Watchdog Reset
Test Report engaged	1 6A2 - Periodic test report	TX - Test Report
Listen-In request	1 606 - Listen-In to follow	LF - Listen-In to follow
WinLoad Login request	1 411 - Call Back Request	RB - Remote Program Begin
PC software communication finished	1 412 - Successful - download access	RS - Remote Program Success
Installer on site	1 627 - Program mode Entry	LB - Local Program
Installer programming finished	1 628 - Program mode Exit	LS - Local Program Success
Module Fail to Communicate Restore	3 354 - Fail to Communicate Restore	YK - Communication Restore

Appendix 2: Contact ID Report Code List

CID#	Reporting Code	Prog. Value	CID#	Reporting Code	Prog. Value	CID#	Reporting Code	Prog. Value
MEDICAL ALARMS - 100			202	Low CO2	34	374	Exit Error Alarm	69
100	Medical Alarm	01	203	Gate Valve Sensor	35	375	Panic Zone Trouble	6A
101	Personal Emergency	02	204	Low Water Level	36	376	Hold-up Zone Trouble	6B
102	Fail to Report In	03	205	Pump Activated	37	377	Swinger Trouble	6C
FIRE ALARMS - 110			206	Pump Failure	38	378	Cross-Zone Trouble	6D
110	Fire Alarm	04	SYSTEM TROUBLES - 300 & 310			SENSOR TROUBLES - 380		
111	Smoke	05	300	System Trouble	39	380	Sensor Trouble	6E
112	Combustion	06	301	AC Loss	3A	381	Loss of Supervision - RF	6F
113	Water Flow	07	302	Low System Battery	3B	382	Loss of Supervision - RPM	70
114	Heat	08	303	RAM Checksum Bad	3C	383	Sensor Tamper	71
115	Pull Station	09	304	ROM Checksum Bad	3D	384	RF Transmitter Low Battery	72
116	Duct	0A	305	System Reset	3E	385	Smoke Detector Hi Sensitivity	73
117	Flame	0B	306	Panel Program Changed	3F	386	Smoke Detector Low Sensitivity	74
118	Near Alarm	0C	307	Self-Test Failure	40	387	Intrusion Detector Hi Sensitivity	75
PANIC ALARMS - 120			308	System Shutdown	41	388	Intrusion Detector Low Sensitivity	76
120	Panic Alarm	0D	309	Battery Test Failure	42	389	Sensor Self-Test Failure	77
121	Duress	0E	310	Ground Fault	43	391	Sensor Watch Trouble	78
122	Silent	0F	311	Battery Missing/Dead	44	392	Drift Compensation Error	79
123	Audible	10	312	Power Supply Over Current	45	393	Maintenance Alert	7A
124	Duress-Access Granted	11	313	Engineer Reset	46	OPEN/CLOSE - 400		
125	Duress-Egress Granted	12	SOUNDER/RELAY TROUBLES - 320			400	Open/Close	7B
BURGLAR ALARMS - 130			320	Sounder Relay	47	401	Open/Close by User	7C
130	Burglary	13	321	Bell 1	48	402	Group Open/Close	7D
131	Perimeter	14	322	Bell 2	49	403	Automatic Open/Close	7E
132	Interior	15	323	Alarm Relay	4A	406	Cancel	7F
133	24-Hour	16	324	Trouble Relay	4B	407	Remote Arm/Disarm	80
134	Entry/Exit	17	325	Reversing Relay	4C	408	Quick Arm	81
135	Day/Night	18	326	Notification Appliance chk. #3	4D	409	Keyswitch Open/Close	82
136	Outdoor	19	327	Notification Appliance chk. #4	4E	REMOTE ACCESS - 410		
137	Tamper	1A	SYSTEM PERIPHERAL TROUBLES - 330 & 340			411	Callback Request Made	83
138	Near Alarm	1B	330	System Peripheral	4F	412	Successful - Download Access	84
139	Intrusion Verifier	1C	331	Polling Loop Open	50	413	Unsuccessful Access	85
GENERAL ALARMS - 140			332	Polling Loop Short	51	414	System Shutdown	86
140	General Alarm	1D	333	Expansion Module Failure	52	415	Dialer Shutdown	87
141	Polling Loop Open	1E	334	Repeater Failure	53	416	Successful Upload	88
142	Polling Loop Short	1F	335	Local Printer Paper Out	54	ACCESS CONTROL - 420		
143	Expansion Module Failure	20	336	Local Printer Failure	55	421	Access Denied	89
144	Sensor Tamper	21	337	Exp. Module DC Low	56	422	Access Report By User	8A
145	Expansion Module Tamper	22	338	Exp. Module Low Batt	57	423	Forced Access	8B
146	Silent Burglary	23	339	Exp. Module Reset	58	424	Egress Denied	8C
147	Sensor Supervision Failure	24	341	Exp. Module Tamper	59	425	Egress Granted	8D
24-HOUR NON-BURGLARY - 150 & 160			342	Exp. Module AC Lost	5A	426	Access Door Propped Open	8E
150	24-Hour Non-Burglary	25	343	Exp. Module Self-Test Fail	5B	427	Access Point Door Status Monitor trouble	8F
151	Gas Detected	26	344	RF Receiver Jam Detected	5C	428	Access Point Request to Exit	90
152	Refrigeration	27	COMMUNICATION TROUBLES - 350 & 360			429	Access Program Mode Entry	91
153	Loss of Heat	28	350	Communication	5D	430	Access Program Mode Exit	92
154	Water Leakage	29	351	Telco Fault 1	5E	431	Access Threat Level Change	93
155	Foil Break	2A	352	Telco Fault 2	5F	432	Access Relay/Trigger Fail	94
156	Day Trouble	2B	353	Long Range Radio	60	433	Access RTE Shunt	95
157	Low Bottled Gas Level	2C	354	Fail to Communicate	61	434	Access DSM Shunt	96
158	High Temperature	2D	355	Loss of Radio Supervision	62	441	Armed Stay	97
159	Low Temperature	2E	356	Loss of Central Polling	63	442	Keyswitch Armed Stay	98
161	Loss of Air Flow	2F	357	Long Range Radio VSWR problem	64	SPECIAL TROUBLES - 450 & 460		
162	Carbon Monoxide Detected	30	PROTECTION LOOP TROUBLES - 370			450	Exception Open/Close	99
163	Tank Level	31	370	Protection Loop	65	451	Early Open/Close	9A
FIRE SUPERVISORY - 200 & 210			371	Protection Loop Open	66	452	Late Open/Close	9B
200	Fire Supervisory	32	372	Protection Loop short	67	453	Failed to Open	9C
201	Low Water Pressure	33	373	Fire Trouble	68	454	Failed to Close	9D

CID#	Reporting Code	Prog. Value	CID#	Reporting Code	Prog. Value	CID#	Reporting Code	Prog. Value
455	Auto-Arm Failed	9E	COMMUNICATION DISABLES - 550 & 560			609	Video Xmitter Active	C5
456	Partial Arm	9F	551	Dialer Disabled	B3	611	Point Test Ok	C6
457	User Exit Error	A0	552	Radio Transmitter Disabled	B4	612	Point Not Tested	C7
458	User on Premises	A1	BYPASSES - 570			613	Intrusion Zone Walk Tested	C8
459	Recent Close	A2	570	Zone Bypass	B5	614	Fire Zone Walk Tested	C9
461	Wrong Code Entry	A3	571	Fire Bypass	B6	615	Panic Zone Walk Tested	CA
462	Legal Code Entry	A4	572	24-Hour Zone Bypass	B7	616	Service Request	CB
463	Re-arm after Alarm	A5	COMMUNICATION DISABLES - 550 & 560			621	Event Log Reset	CC
464	Auto-Arm Time Extended	A6	573	Burglary Bypass	B8	622	Event Log 50% Full	CD
465	Panic Alarm Reset	A7	574	Group Bypass	B9	623	Event Log 90% Full	CE
466	Service On/Off Premises	A8	575	Swinger Bypass	BA	624	Event Log Overflow	CF
SOUNDER RELAY DISABLES - 520			576	Access Zone Shunt	BB	625	Time/Date Reset	D0
520	Sounder/Relay Disabled	A9	577	Access Point Bypass	BC	626	Time/Date Inaccurate	D1
521	Bell 1 Disable	AA	TEST/MISC. - 600			627	Program Mode Entry	D2
522	Bell 2 Disable	AB	601	Manual Trigger Test	BD	628	Program Mode Exit	D3
523	Alarm Relay Disable	AC	602	Periodic Test Report	BE	629	32 Hour Event Log Marker	D4
524	Trouble Relay Disable	AD	603	Periodic RF Transmission	BF	630	Schedule Change	D5
525	Reversing Relay Disable	AE	604	Fire Test	C0	631	Exception Schedule Change	D6
526	Notification Appliance chk. #3 Disabled	AF	605	Status Report to Follow	C1	632	Access Schedule Change	D7
527	Notification Appliance chk. #4 Disabled	B0	606	Listen-in to Follow	C2	654	System Inactivity	D8
531	Module Added	B1	607	Walk Test Mode	C3			
532	Module Removed	B2	608	Periodic Test - System Trouble Present	C4			

Appendix 3: Keypad Installation Instructions

1.1 Keypad Installation Instructions

1.1.1 Connecting the Keypads

The keypads are connected to the control panel's combus in a star and/or daisy chain configuration. Connect the four terminals labeled red, black, green and yellow of each keypad to the corresponding terminals on the control panel.

1.1.2 Connecting Keypad Zones

Each keypad has one hardwired input terminal, allowing you to connect one detector or door contact directly to it. Connect the device to the keypad's input terminal as shown in *Figure 3* on page 3. In order to communicate its status to the control panel, the keypad's input must be assigned to a zone in the control panel and the zone's parameters must be defined.

1.1.3 Programmable Output

Each keypad has one on-board PGM. Upon activation, the PGM can provide 50mA to any device connected to it. If the current drawn is to exceed the current limit, a relay should be connected to the PGM as shown in *Figure 3* on page 3.

2.1 Keypad Specific Instructions

2.1.1 Memory Key Connection

A memory key can be used to download programming to the EVO641 and EVO641R keypads.

2.1.2 Memory Key

SECTIONS [510] AND [520]

Download information using the memory key (PMC-4).

Section [510] = Download all from the memory key (LCD keypad sections [001] to [396] and all messages) to the LCD keypad.

Section [520] = Copy the LCD keypad sections [001] to [396] and all messages to the memory key.

2.1.3 Download Contents of Memory Key to Keypad

SECTION [510]

1. Insert the memory key into the keypad's connector labelled "KEY."
2. To download the contents of the memory key, enter the keypad's programming mode and enter section [510].
3. When the keypad emits a confirmation beep, wait 5 seconds and remove the memory key after the second confirmation beep.

2.1.4 Copy the Keypad Contents to the Memory Key

SECTION [520]

1. Insert the memory key onto the keypad's connector labelled "KEY." Ensure that the write protect jumper is ON.
2. To copy the contents to the memory key, enter the keypad's programming mode and enter section [520].
3. After the confirmation beep, wait 5 seconds and remove the memory key after the second confirmation beep. Set the memory key's jumper to OFF if you do not wish to accidentally overwrite its contents.

Figure 23: PMC-4 Jumper Settings
Jumper On Jumper Off



2.2 EVO641R Access Control Connection

Figure 24: : Typical Access Control Installation

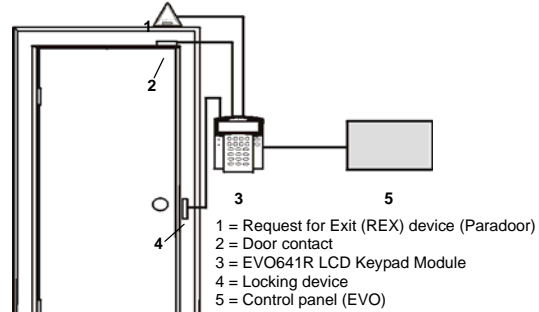


Figure 25: : Access Control Overview

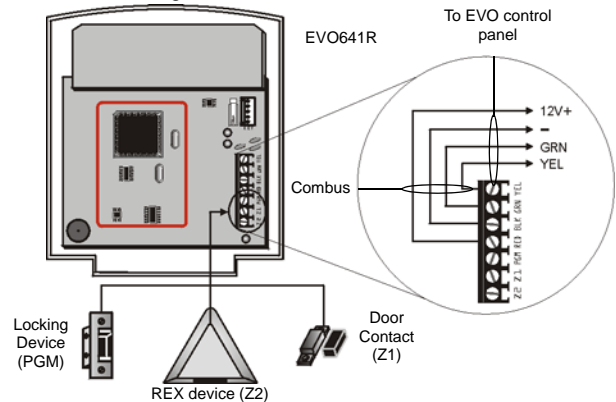
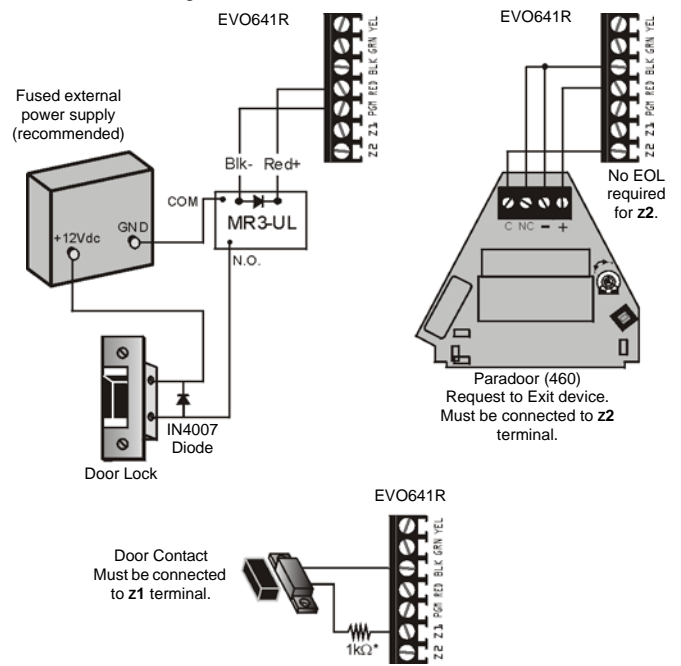


Figure 26: : Access Control Connections



* Follows control panel's EOL definition.



If a door contact is not being used, install a jumper or a 1kΩ resistor across the BLK and Z1 terminals depending on the control panel's EOL definition.

If the REX (Request for Exit) device is not being used, place a jumper across the BLK and Z2 terminals.

3.1 Programming

3.1.1 Entering Module Programming Mode

The keypad is programmed through the control panel. To do so, you must first enter Module Programming Mode:

1. From Normal Mode press and hold the **[0]** key.
2. Enter the **[INSTALLER CODE]** (Default: 000000).
3. Enter section **[4003]**.
4. Enter the keypad's 8-digit **[SERIAL NUMBER]**.
5. Enter the 3-digit **[SECTION]** you want to program.
6. Enter the required **[DATA]**.

The control panel will then redirect all programming to the selected keypad. Every time the **[CLEAR]** key is pressed it will revert to the preceding step, unless entering in data in which case it will erase the current data entry. Please note that the serial number is located on the keypad's PC board or enter section **[000]** in Step 3 to view the keypad's serial number.

3.1.2 Module Broadcast

The control panel's Module Broadcast feature can be used to copy the contents of one keypad to one or more keypads.

1. From Normal Mode press and hold the **[0]** key.
2. Enter **[INSTALLER CODE]** (Default: 000000).
3. Enter section **[4004]**.
4. Enter the **[SERIAL #]** of the source keypad. The *source* is the programmed keypad whose data you want to copy to other keypads.
5. Enter the **[SERIAL #]** of the destination keypads. The *destination* is the keypad(s) you want to program with the source's data. If you want to program more than one keypad with the source's data, enter the serial numbers of the keypads one at a time.
6. Once you have entered the serial numbers of the keypads you want to program, press the **[ACC]** key.

3.2 Message Programming EVO641/EVO641R

SECTIONS **[101]** TO **[148]**, **[200]** TO **[204]**, AND **[301]** TO **[396]**

Each section contains one message with a maximum of 16 characters. For more details and to record any changes, use the *Digiplex Modules' Programming Guide*.



The EVO control panel has up to 8 partitions, 96 zones and up to 999 user codes. The LCD keypad only allows you to program the messages for up to 4 partitions, 48 zones and 96 user codes. The rest of the messages can be programmed directly into the EVO control panel. Refer to the *EVO Reference & Installation Manual* and to the *EVO Programming Guide* for more details.

Section **[101]** to **[148]** = "Zone 01" to "Zone 48" respectively

Section **[200]** = "Paradox Security"

Section **[201]** to **[204]** = "First Area", "Second Area", "Third Area", and "Fourth Area" respectively

Section **[301]** to **[396]** = "Code 01" to "Code 96" respectively

After entering the section corresponding to the desired message, use the Message Programming Keys (refer to *Table 8*) and *Table 7* on page 32 to change the message to suit your installation needs.

3.3 EVO641 Programming

3.3.1 Partition Assignment

SECTION **[001]**: OPTIONS **[1]** TO **[8]**

To assign the keypad to a partition, simply enable the option that corresponds to the desired partition. By default, partitions 1 to 8 are enabled.

3.3.2 Display Access Code Entry

SECTION **[003]**: OPTION **[1]**

- Option **[1]** OFF = Digits are replaced by a * (default)
Option **[1]** ON = Access Code digits will be displayed

3.3.3 Display Exit Delay Timer

SECTION **[003]**: OPTION **[2]**

- Option **[2]** OFF= Will not display Exit Delay timer (default)
Option **[2]** ON= LCD screen will display Exit Delay timer

3.3.4 Display Entry Delay Timer

SECTION **[003]**: OPTION **[3]**

- Option **[3]** OFF= Will not display the Entry Delay Timer (default)
Option **[3]** ON= LCD screen will display Entry Delay Timer

3.3.5 Confidential Mode

SECTION **[003]**: OPTIONS **[4]** AND **[5]**

In Confidential Mode, all LEDs will turn off and the display will change until either a button is pressed or an access code is entered.

- Option **[4]** OFF = Normal Mode (default)
Option **[4]** ON = Confidential Mode
- Option **[5]** OFF = LCD screen activated by entering an access code (default)
Option **[5]** ON = LCD screen activated by pressing a button

Figure 27: LCD Screen

in Normal Mode:

PARADOX SECURITY
2004/10/01 09:07

in Confidential Mode:

CONFIDENTIAL
2004/10/01 09:07

3.3.6 Confidential Mode Timer

SECTION **[007]**

Section **[007]** determines the amount of time without action before the keypad enters Confidential Mode. The Confidential Mode Timer can be set from 005 seconds to 255 seconds. Default: 120 seconds.

3.3.7 Time Display Option

SECTION **[003]**: OPTION **[8]**

- Option **[8]** OFF = Date displayed as yy/mm/dd (default)
Option **[8]** ON = Date displayed as dd/mm/yy

3.3.8 Muting

SECTION **[004]**: OPTION **[1]**

- Option **[1]** OFF = Audible sounds (default)
Option **[1]** ON = Mute

3.3.9 Beep on Exit Delay

SECTION **[004]**: OPTION **[2]**

- Option **[2]** OFF= Exit Delay beep disabled
Option **[2]** ON= Exit Delay beep enabled (default)

3.3.10 Chime on Zone Closure

SECTION **[004]**: OPTION **[4]**

- Option **[4]** OFF = Chime on Zone Closure disabled (default)
Option **[4]** ON = Chime on Zone Closure enabled

3.3.11 Beep on Trouble

SECTION **[005]**: OPTIONS **[1]** TO **[4]**

- Option **[1]** OFF = Beep disabled: System Troubles and Clock Loss (default)
Option **[1]** ON = Beep enabled: System Troubles and Clock Loss
- Option **[2]** OFF = Beep disabled: Communicator Troubles (default)
Option **[2]** ON = Beep enabled: Communicator Troubles
- Option **[3]** OFF = Beep disabled: Module and Bus Troubles (default)

Option [3] ON = Beep enabled: Module and Bus Troubles

Option [4] OFF = Beep disabled: all Zone Troubles (default)

Option [4] ON = Beep enabled: all Zone Troubles

3.3.12 Keypad Tamper Enable

SECTION [006]: OPTION [5]

Option [5] OFF = Keypad's tamper is disabled (default)

Option [5] ON = Keypad's tamper is enabled

3.3.13 Combust Voltmeter

1. From Normal Mode press and hold the [0] key.
2. Enter the [INSTALLER CODE] (Default: 000000).
3. Press [ACC].



The voltage may drop during the control panel battery test.

3.4 Programmable Output Options

3.4.1 PGM State

SECTION [006]: OPTION [1]

Option [1] OFF= PGM is Normally Open (default)

Option [1] ON= PGM is Normally Closed



The PGM can provide 50mA to any device connected to it.

3.4.2 PGM Deactivation Mode

SECTION [006]: OPTION [2]

Option [2] OFF = Deactivates on PGM Deactivation Event (default)

Option [2] ON = PGM will deactivate according to the PGM Timer

3.4.3 PGM Base Time

SECTION [006]: OPTION [3]

Option [3] OFF = PGM Base Time is 1 second (default)

Option [3] ON = PGM Base Time is 1 minute

3.4.4 PGM Override

SECTION [006]: OPTION [4]

When the PGM override is enabled, the keypad's on-board PGM will ignore PGM Activation Events (section 3.4.6), PGM Deactivation Events (section 3.4.7), and PGM Timers (section 3.4.5). It will remain in its normal state until the PGM Override is disabled. This option may be used to test the PGM connections.

Option [4] OFF = PGM Override disabled (default)

Option [4] ON = PGM Override enabled

3.4.5 PGM Timer

SECTION [008]

The value programmed in section [008] represents how long the PGM will remain in its opposite state after being activated. To program the timer, enter a 3-digit decimal value (000 to 255) in section [008]. Default: 5 seconds.

3.4.6 PGM Activation Event

SECTIONS [009] TO [012]

Enter the sections that correspond to the Event Group, Feature Group, Start # and End # of the PGM and enter the required data.

	Event Group	Feature Group	Start #	End #
PGM	[009]	[010]	[011]	[012]

3.4.7 PGM Deactivation Event

SECTIONS [013] TO [016]

If the PGM Deactivation Option is set to follow the PGM Deactivation event, the PGM will return to its normal state when the event programmed in sections [013] to [016] occurs.

Enter the sections that correspond to the Event Group, Feature Group, Start # and End # of the PGM and enter the required data.

	Event Group	Feature Group	Start #	End #
PGM	[013]	[014]	[015]	[016]

3.5 EVO641R Programming

3.5.1 Partition Assignment

SECTION [001]: OPTIONS [1] TO [8]

To assign the keypad to a partition, enable the option that corresponds to the desired partition. By default, partitions 1 to 8 are enabled.

3.5.2 Display Access Code Entry

SECTION [003]: OPTION [1]

Option [1] OFF=Digits are replaced by a ""(default)

Option [1] ON=Access Code digits will be displayed

3.5.3 Display Exit Delay Timer

SECTION [003]: OPTION [2]

Option [2] OFF=Will not display Exit Delay timer (default)

Option [2] ON=LCD screen will display Exit Delay timer

3.5.4 Display Entry Delay Timer

SECTION [003]: OPTION [3]

Option [3] OFF=Will not display the Entry Delay Timer (default)

Option [3] ON=LCD screen will display Entry Delay Timer

3.5.5 Confidential Mode

SECTION [003]: OPTIONS [4] AND [5]

Section [003]:

Option [4] OFF=Normal Mode (default)

Option [4] ON=Confidential Mode

Option [5] OFF=LCD screen activated by entering an access code (default)

Option [5] ON=LCD screen activated by pressing a button

3.5.6 Confidential Mode Timer

SECTION [007]

Section [007] determines the amount of time without action before the keypad enters Confidential Mode. The Confidential Mode Timer can be set from 005 seconds to 255 seconds. Default: 120 secs.

3.5.7 Time Display Option

SECTION [003]: OPTION [8]

Option [8] OFF=Date displayed as yy/mm/dd (default)

Option [8] ON=Date displayed as dd/mm/yy

3.5.8 Muting

SECTION [004]: OPTION [1]

Option [1] OFF=Audible sounds (default)

Option [1] ON=Mute

3.5.9 Beep on Exit Delay

SECTION [004]: OPTION [2]

Option [2] OFF=Exit Delay beep disabled

Option [2] ON=Exit Delay beep enabled (default)

3.5.10 Chime on Zone Closure

SECTION [004]: OPTION [4]

Option [4] OFF=Chime on Zone Closure disabled (default)

Option [4] ON=Chime on Zone Closure enabled

3.5.11 Beep on Trouble

SECTION [005]: OPTIONS [1] TO [4]

Option [1] OFF=Beep disabled: System Troubles and Clock Loss
Option [1] ON=Beep enabled: System Troubles and Clock Loss

Option [2] OFF=Beep disabled: Communicator Troubles
Option [2] ON=Beep enabled: Communicator Troubles

Option [3] OFF=Beep disabled: Module and Combustion Troubles
Option [3] ON=Beep enabled: Module and Combustion Troubles

Option [4] OFF=Beep disabled: all Zone Troubles
Option [4] ON=Beep enabled: all Zone Troubles

3.5.12 Keypad Tamper Enable

SECTION [006]: OPTION [5]

Option [5] OFF=Keypad's tamper is disabled (default)
Option [5] ON=Keypad's tamper is enabled

3.5.13 Time Format

SECTION [005]: OPTION [7]

Option [7] OFF=Time uses the International time format (default).
Option [7] ON=Time uses the US time format.

3.5.14 Combustion Voltmeter

1. From Normal Mode press and hold the [0] key.
2. Enter the [INSTALLER CODE] (by default 000000).
3. Press [ACC].



The voltage may drop during the control panel battery test.

3.6 Access Control Options

3.6.1 Assigning Doors To Partitions

SECTION [002]: OPTIONS [1] TO [8]

The Access Control door can be assigned to one or more partition(s) in the alarm system. This means that the actions performed with the Access Control Card will be directly linked to the partition(s) assigned to that door.

- Option [1] ON =Door assigned to Partition 1 (default)
Option [2] ON =Door assigned to Partition 2
Option [3] ON=Door assigned to Partition 3
Option [4] ON =Door assigned to Partition 4
Option [5] ON=Door assigned to Partition 5
Option [6] ON=Door assigned to Partition 6
Option [7] ON=Door assigned to Partition 7
Option [8] ON=Door assigned to Partition 8

OFF = Access Control Cards will not be able to arm and/or disarm partitions from the door's reader

3.6.2 Unlock on REX (Request For Exit)

SECTION [006]: OPTION [8]

Option [8] OFF=Unlock on REX disabled (default)
Option [8] ON=Unlock on REX enabled

3.6.3 Door Unlocked Period

SECTION [008]

Enter any value between 001 and 255 to determine the seconds the door can remain unlocked. *Default = 5 secs.*

3.6.4 Door Unlocked Period Extension

SECTION [009]

The Door Unlocked Period Extension is the amount of time added to the Door Unlocked Period in section [008], which leaves the door unlocked longer. This will allow those with this feature enabled on their User Access Codes extra time to enter. Enter any value between 001 and 255 to determine the number of seconds to be added to the time programmed in section [008]. *Default = 15 secs.*

3.6.5 Relock Door

SECTION [006]: OPTION [6]

Option [6] OFF=Locking device latches immediately (default)
Option [6] ON=Locking device latches when door closes

3.6.6 Door Unlocked Schedule

SECTION [017]

The Door Unlocked Schedule determines the hours, days, and holidays that the door will remain unlocked. Program the Start Time and End Time according to the 24-hour clock within the same day. Use *Feature Select Programming* to set the options representing the Days.

Table 16: Door Unlocked Schedule

Option	Day	Option	Day
[1]	Sunday (S)	[5]	Thursday (T)
[2]	Monday (M)	[6]	Friday (F)
[3]	Tuesday (T)	[7]	Saturday (S)
[4]	Wednesday (W)	[8]	Holidays (H)

3.6.7 Card Activates Door Unlocked Schedule

SECTION [006]: OPTION [1]

Option [1] OFF=The Schedule activates without Card
Option [1] ON=Card activates Door Unlocked Schedule (default)

3.6.8 Door Left Open Access Alarm

SECTION [006]: OPTION [2]

Table 17: Door Left Open Access Alarm

Section

- [004] Option [3] Door Left Open Pre-alarm
Option [5] Door Left Open Alarm
Option [6] Door Left Open Alarm follows
[010] Door Left Open Interval
[011] Door Left Open Pre-alarm Timer
[012] Beep Timer for Door Left Open Alarm

Option [2] OFF=Door Left Open Alarm won't be generated (default)
Option [2] ON=Door Left Open Alarm is enabled

3.6.9 Door Left Open Interval Before Access Alarm

SECTION [010]

Enter any value between 001 and 255 to determine the number of seconds the door may remain open before the Access Alarm is triggered. *Default = 60 secs.*

3.6.10 Door Left Open Pre-Alarm

SECTION [004]: OPTION [3]

Program the Pre-Alarm timer in section [011].

Option [3] OFF=The Pre-Alarm will not be generated
Option [3] ON=Pre-Alarm is enabled (default)

3.6.11 Door Left Open Pre-Alarm Timer

SECTION [011]

This timer will trigger the Door Left Open Pre-Alarm before the end of the Door Left Open Interval. Enter any value between 001 and 255 to determine the seconds before the expiry of the Door Left Open Interval that the reader will beep. *Default = 15 seconds.*

3.6.12 Door Left Open Alarm Feedback

SECTION [004]: OPTIONS [5] AND [6]

Option [5] OFF=The Door Left Open Alarm is silent
Option [5] ON=The Door Left Open Alarm is audible (default)

If option [5] is enabled:

Option [6] OFF=Beep as long as the Door Left Open Alarm is occurring (default)

Option [6] ON=Door Left Open Alarm follows Beep Timer (section [012])

3.6.13 Beep Timer For Door Left Open Alarm

SECTION [012]

Enter any value between 001 and 255 to determine the number of seconds the Access Alarm will beep. *Default = 5 seconds.*

3.6.14 Door Forced Open Access Alarm

SECTION [006]: OPTION [3]

When the Door Forced Open Alarm is disabled, the following sections are also disabled:

Table 18: Door Forced Open Access Alarm

Section	
[004]	Option [7] Door Forced Open Alarm Option [8] Door Forced Open Alarm follows
[013]	Beep Timer for Door Forced Open Alarm

Option [3] OFF=Door Forced Open Alarm is disabled (default)
Option [3] ON=Door Forced Open Alarm is enabled

3.6.15 Door Forced Open Feedback

SECTION [004]: OPTIONS [7] AND [8]

Option [7] OFF=Door Forced Open Alarm is silent
Option [7] ON=Door Forced Open Alarm is audible (default)

If option [7] is enabled:

Option [8] OFF=Will beep as long as Door Forced Open Alarm is occurring (default)

Option [8] ON=Door Forced Open Alarm follows Beep Timer. (section [013])

3.6.16 Beep Timer For Door Forced Open Alarm

SECTION [013]

Enter any value between 001 and 255 to determine the number of seconds the Door Forced Open Alarm will beep. *Default = 5 seconds.*

3.6.17 PIN Entry ON Keypad

SECTION [006]: OPTION [4]

If the *Card and Code Access* option is enabled in the EVO control panel, users must present their access control card and then enter their PIN on the EVO641R keypad to gain access. The PIN Entry on Keypad option cannot be turned ON and will always be OFF.

4.1 DGP2-648BL Programming

4.1.1 Partition Display

Section [001] to [008]

You can program the LED keypad to display up to four partitions. Sections [001] to [008] correspond to partitions 1 to 8. The LED numbers A1 to A4 are assigned values 001 to 004 (Figure 29). To assign a display number to a partition, choose a section number from [001] to [008] and assign it a value between 001 and 004 which represents LED numbers A1 to A4 respectively

Figure 28: :: Keypad Overview

Partition Lights: (A1, A2, A3 and A4)

ON = Partition armed
OFF = Partition disarmed
FLASH = Partition in alarm

Action Lights: (Access, Stay, Force, Mem, Trbl and Prg)
Lights will illuminate according to the status of the system.

Numerical Lights: (Zones)

ON = Open / breached
OFF = OK
FLASHES = Tamper / fire loop
"AC" Light:
ON = AC Power
OFF = Power failure
"Status" Light:

When green:
ON = All zones closed
OFF = Zone(s) open
FLASH = Exit Delay in progress

When red:
ON = All partitions armed
OFF = Partition disarmed
FLASH = Partition in alarm

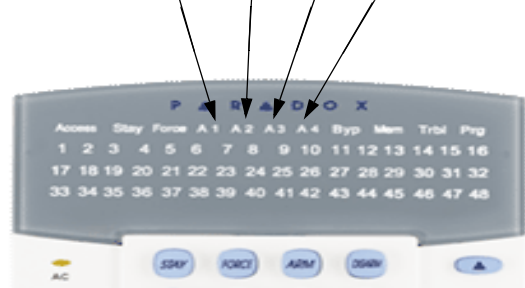
[ENTER] Saves current data and exits current menu.

[CLEAR] Erases current data entry or reverts to the preceding step.

Keypad will display the status of all its assigned partitions.

Figure 29: : LED Partition Display

Value: 001 002 003 004



Do not assign the same display number to more than one section. For example, you cannot assign value 002 to sections [003] and [004]. The rejection beep will remind you that a selected display number is already assigned to another section.

4.1.2 Zone Display

Section [101] To [196]

You can program the keypad to display up to a total of 48. Sections [101] to [196] correspond to zones 1 to 96 respectively. These zones are displayed on LED numbers 1 to 48 and are assigned values 001 to 048.



Do not assign more than one LED number to a zone. For example, you cannot assign LED number 33 to zones 21 and 28. The rejection beep will remind you that a selected LED number is already assigned to another section.



Every time the [CLEAR] key is pressed it will revert to the preceding step, unless entering in data in which case it will erase the current entry.

4.1.3 Section Reset

Section [040]

This section resets zone display sections [101] to [196] to default settings. Enter [040] to perform the reset.

4.1.4 Confidential Mode

Section [009] Option [1]

In Confidential Mode all LEDs will turn off until either a button is pressed or an access code is entered.

Option [1] OFF = Disabled (default).

Option [1] ON = Enabled.

4.1.5 Exit Confidential Mode

Section [009] Option [2]

Option [2] ON = Exit Confidential Mode by entering an access code.
Option [2] OFF = Exit Confidential Mode by pressing a button (default).



Option [2] must be set to ON on UL listed systems.
Option [2] will only work if option [1] is enabled.

4.1.6 Confidential Mode Timer

Section [012]

Section [012] determines the amount of time without action before the keypad enters Confidential Mode. The Confidential Mode Timer can be set from 005 seconds to 255 seconds. *Default: 120 seconds*

4.1.7 Muting

Section [009] Option [3]

Option [3] OFF = Audible sounds (default).
Option [3] ON = Mute.

4.1.8 Beep on Exit Delay

Section [009] Option [4]

Option [4] OFF = Exit Delay beep disabled.
Option [4] ON = Exit Delay beep enabled (default).

4.1.9 Chime on Zone Closure

Section [009] Option [5]

Option [5] OFF = Chime on Zone Closure disabled (default).
Option [5] ON = Chime on Zone Closure enabled.

4.1.10 Beep on Trouble

Section [010] Options [1] To [4]

System Troubles / Clock Loss
Option [1] OFF = Disabled (default).
Option [1] ON = Enabled.

Communicator Troubles
Option [2] OFF = Disabled (default).
Option [2] ON = Enabled.

Module / Communication Bus Troubles
Option [3] OFF = Disabled (default).
Option [3] ON = Enabled.

Zone Troubles
Option [4] OFF = Disabled (default).
Option [4] ON = Enabled.

4.1.11 Keypad Anti-tamper Enable

Section [011] Option [5]

Option [5] OFF = Keypad's anti-tamper is disabled (default).
Option [5] ON = Keypad's anti-tamper is enabled.

4.2 Programmable Output Options

4.2.1 PGM State

SECTION [011] OPTION [1]

The PGM is limited to 50mA.

Option [5] OFF = PGM is Normally Open (default).
Option [5] ON = PGM is Normally Closed.

4.2.2 PGM Activation Event

SECTION [014] to [017]

Enter the sections that correspond to the **EVENT GROUP**, **FEATURE GROUP**, **START #** and **END #** of the PGM and enter the required data.

	Event group	Feature group	Start #	End #
PGM	[014]	[015]	[016]	[017]

4.2.3 PGM Deactivation Event

SECTION [018] to [021]

If the PGM Deactivation Option is set to follow the PGM Deactivation Event, the PGM will return to its normal state when the event programmed in sections [018] to [021] occurs. Enter the sections that correspond to the **EVENT GROUP**, **FEATURE GROUP**, **START #** and **END #** of the PGM and enter the required data.

	Event group	Feature group	Start #	End #
PGM	[018]	[019]	[020]	[021]

4.2.4 PGM Deactivation Mode

SECTION [011] Option [2]

Option [2] OFF = Deactivation as per PGM Deactivation Event (default).
Option [2] ON = PGM will deactivate according to the PGM Timer.

4.2.5 PGM Base Time

SECTION [011] Option [3]

Option [3] OFF = PGM Base Time is 1 second (default).
Option [3] ON = PGM Base Time is 1 minute.

4.2.6 PGM Timer

SECTION [013]

To program the timer, enter a 3-digit decimal value (001 to 255) in section [013].

4.2.7 PGM Test

SECTION [030]

Use this section to initiate a PGM test, which will activate the PGM for 8 seconds. Enter section [030] to activate this test.

Index

A

AC Failure not Displayed	32
AC Power	2
Access Alarm	36
Access Card	36
Access Card Assignment	35
Access Code Length	34
Access Codes	34
Access Control feature	35
Access Control Terms	36
Access Denied	36
Access Granted	36
Access Level Assignment	35
Account Number	24
Account Number Transmission	24
Activate Card	35
Add Tolerance Windows to Schedules	35
Ademco Contact ID	24
Ademco Express	24
Ademco slow	24
Advanced Technology Zoning (ATZ)	10
Alarm	
<i>On Door Left Open</i>	37
<i>On Forced Door</i>	37
Alarm Transmission Delay. See Delay Alarm Transmission	
Alarm Types	12
Alternate Dialing Option	25
Always Force Arm	17
AND Door Access Mode	37
Answer WinLoad	31
Answering Machine Override Delay	38
Arming Follows Partition	16
Arming with Access Card	
<i>Skip Exit Delay</i>	37
Arming/Disarming Reporting	23
Arming/Disarming Schedule Tolerance Window	24
Assigning Doors	36
Assigning keyswitches to partitions	15
Audible Alarm	20
<i>Bell Cut-off Timer</i>	19
<i>Pulsed</i>	12
<i>Steady</i>	12
Auto Force on Stay Arming	17
Auto Report Code Programming	26
Auto Test Report Period	25
Auto Trouble Shutdown	32
Auto Zone Shutdown	11
Auto Zone Shutdown Limit	11
Auto-Arming	
<i>Timed</i>	16
<i>Timer</i>	16
Auto-Arming Options	17
Automatic Event Buffer Transmission	38
Automatic report code list	40
Auxiliary Power	2
<i>Calculating power consumption</i>	4
<i>Power Limitations</i>	4

<i>Power Supply Connections</i>	5
---------------------------------------	---

Away Zones. See Force Zones

B

Battery	2
<i>Battery Test</i>	2
Battery Charge Current	30
Baud Rate	30
Bell	
<i>Bell/siren Output</i>	2
<i>Bell/Siren Output During Fire Alarm</i>	11
Bell On Communication Fail	27
Bell Squawk	18
Bell/alarm Output	19
Broadcast	31
Burglar Alarm	36
Burglar Alarm on Door Left Open	37
Burglar Alarm On Forced Door	37
Burglary Zones	10
Bus Connection in Noisy Environments	6
Bus Speed	30
Busy Tone Detection	27
Buzzer Zones	10
Bypass Zones	11

C

Call Back Feature	38
Call Direction	24
Call WinLoad	31
Cancel Communication	31
Card and Code Access	37
Card can Disarm	35
Card to Unlock and Code to Disarm	35
Clock Loss	
<i>Access during Clock Loss</i>	37
Closing Delinquency Timer	26
Code Access	37
Code Follows Schedule	35
Codes	
<i>Special Alarm Report Codes</i>	22
<i>Special Arming Report Codes</i>	22
<i>Special Disarming Report Codes</i>	22
<i>System Trouble Codes</i>	23
<i>System Trouble Restore Codes</i>	23
Connecting the Bus in Noisy Environments	6
Connections	
<i>Bus Connections</i>	6
<i>Double Zone Connections</i>	6
<i>Keypad Zone Connections</i>	5
<i>Keyswitch Connections</i>	2
<i>Power</i>	2
<i>Single Zone Connections</i>	5
Contact ID Pager	24
Contact ID Report Code List	42

D

Daylight Savings Time	30
Daylight Savings Time Schedule	30

Delay Alarm Transmission	12
Delay Alarm Transmission Timer	12
Delay Between Dialing Attempts	25
Delayed 24Hr Fire Zone	11
Delinquency Timer, Closing	26
Dial Tone Delay	27
Digiplex Memory Key. See Paradox Memory Key	
Disarm Reporting Options	25
Display "Bypass" If Armed	18
Door Access Mode	37
Door Forced Open Restore event	37
Door Labels	32
Door Left Open	36
Doors	
<i>Access During Clock Loss</i>	37
<i>Assigning The Keypad To A Door</i>	36
<i>Burglar Alarm On Door Left Open</i>	37
<i>Burglar Alarm On Forced Door</i>	37
Double Zone Connections	6
Duress	35

E

Earth Ground	2
Enable Access Control	36
Enable Reporting	22
End #	29
Entry Delay Timer	10
Entry Delay Timers	10
EOL Zones	13
ESL CleanMe™ Installation	7
Event Buffer	
<i>Log Door Forced Open Restore In Event Buffer</i>	37
<i>Log Door Left Open Restore In Event Buffer</i>	37
<i>Log Request For Exit In Event Buffer</i>	37
Event Group	29
Exit Delay	17
Exit Delay cancelled on Remote Arm	17
Exit Delay Termination	17
Extended Unlocked Period	35

F

Feature Group	29
Feature Select Programming	8
Fire Alarm	20
Fire Circuits	7
Fire Zone	7
<i>Delayed 24Hr</i>	11
<i>Standard 24Hr</i>	11
Follow Zone Switches to Entry Delay 2	17
Force Zones	11
Forced Door	36
Freeze Zones	11
Function Keys, Installer	31

G

Gas Zones	11
Ground	2

H

Hardware Reset	30
----------------------	----

Heat Zones	11
Hold-up Zones	10
Holiday Programming	36
Hourly Test Transmission	25

I

Identifier code. See Panel Identifier	38
In-Field Firmware Upgrade	38
Input Numbers	
<i>Keyswitch Numbering</i>	15
Input Speed	12
Installation Procedure	2
Installer Code	34
Installer Function Keys	31
Installer Lock	30
Installer Test Mode	31
Instant zone	10
Intellizone	12
Intellizone Delay	12

K

Keypad Beep on Successful Arm/Disarm Report	27
Keypad Installation Instructions	44
Keypad Lockout	17
Keypad Numbering	13
Keypad Zone Connections	5
Keyswitch	
<i>Arm Only</i>	15
<i>Connections</i>	2
<i>Definitions</i>	15
<i>Disabled</i>	15
<i>Keyswitch Numbering</i>	15
<i>Maintained</i>	15
<i>Momentary</i>	15
<i>Options</i>	15
<i>Partition Assignment</i>	15
<i>Stay/Instant Disarm</i>	15

L

Label Broadcast	31
Label Programming	32
LCD Display	
<i>Shabbat Feature</i>	31
Linked Schedules. See Backup Schedules	
Locate Module	31
Location & Mounting	2
Lock-out	17
Logging Access Control Events	37

M

Master	35
Maximum Bypass Entries	18
Maximum Dialing Attempts	25
Message Programming. See Label Programming	
Module Broadcast	8, 31
Module Reset	31
Module Scan	31
Module Scanning	31
Multiple Action Feature	32

N

No AC Fail Display	32
No Bell Cut-Off on Fire Alarm	19
No Exit Delay on Remote Arm	17
No Movement Schedule	16
Noisy Environments	6

O

One-touch Features	17
OR Door Access Mode	37

P

Pager Format	24
Pager Reporting Format	24
Panel Answer Options	38
Panel Partition Assignment	31
Panic Options	20
Paradox Memory Key	8
Partition Labels	32
Partitioning	31
PC Password	38
PC Telephone Number	38
PCB Layout	3
PGM	

<i>PGM Activation Event</i>	29
<i>PGM Deactivation Event</i>	29
<i>PGM Deactivation Option</i>	29
<i>PGM Delay Timers</i>	29
<i>PGM Time Base Selection</i>	29

PGM Initial Status	29
Police Code Timer	19
Postpone Auto-Arming	16
Power Failure Report Delay	25
Power Failure Restore Report Delay	25
Power Save Mode	31
Power Supply Connections	5
Primary Schedule	36
Procedure to Install	2
Programmable Outputs	2
<i>As a 2-wire smoke detector</i>	7
<i>As a 4-wire smoke detector</i>	7
<i>Connections</i>	2
<i>Relay</i>	2, 29
Programming	8
<i>Decimal Programming</i>	8
<i>Feature Select Method</i>	8
<i>Hexadecimal Programming</i>	8
<i>Modules</i>	31
<i>Zone Programming</i>	9
Pulse Dialing	27
Pulse formats. See Standard Pulse Formats	
Pulse Ratio	27
Pulsed Audible Alarm	12

Q

Quick Module Scanning	31
-----------------------------	----

R

Reader	36
Recent Close Delay	25

Record REX events	37
Recycle Alarm	19
Recycle Delay	19
Repeat Pager Report Code Transmission	25
Report Code, Repeat Pager	25
Report Only	12
Reporting Formats	24
Request for Exit	36
Reset	
<i>Hardware</i>	30
<i>Module</i>	31
<i>Software</i>	30

Restrict Arming on	
<i>AC Failure</i>	16
<i>Battery Failure</i>	16
<i>Bell or Auxiliary Failure</i>	16
<i>Door</i>	37
<i>Module Troubles</i>	16
<i>Supervision Loss</i>	16
<i>Tamper</i>	16
<i>TLM Failure</i>	16
Restrict Disarming on Door	37
Ring Counter	38
Ring-back	18
RTC	7

S

Schedule Assignment	35
Schedule Tolerance Window for Arming/Disarming	24
Schedules	36
Serial Port Baud Rate	30
Serial Port Transmission of Zone Status	30
Sescoa	24
Shabbat Feature	31
SIA FSK	24
Silent Alarm	12, 20
Silent Knight fast	24
Sirens	2
Skip Exit Delay When Arming With Card	37
Special Arming Exit Delay	17
Special Characters	32
Special Telephone Number Keys	24
Speed, Bus	30
Standard Pulse Formats	24
Standard 24Hr Fire Zone	11
Start #	29
Stay Zones	11
Supervision Bypass Options	19
Switch To Pulse	27
Switch To Stay Arming	17
System Date and Time	31
System Labels	32
System Master Code	34

T

Tamper Bypass Options	20
Telephone Line Connection Examples	7
Telephone Line Connections	7
Telephone Line Monitoring (TLM)	27
Test Report	31

Test reports	25
Timed and Hourly Test Transmission	25
Timed Test Transmission when Armed/Disarmed	25
TLM Fail Timer	27
Tolerance Window	24
Transformer	2
Transmit Zone Status on Serial Port	30

U

User Access Codes	34
User Labels. See Access Codes	
User Menu Access	35
Utility Key	15

V

Valid Card	36
------------------	----

W

Water Zones	11
WinLoad	8, 38
<i>Answer WinLoad</i>	31, 38
<i>Call WinLoad</i>	31, 38
<i>Cancel Communication</i>	31
Wireless Transmitter Supervision Options	19

Z

Zone Labels	32
Zone Restore Report Options	25
Zone Status Transmission to Serial Port	30
Zones	
<i>Alarm Transmission Delay</i>	12
<i>Bypass</i>	11
<i>Connections</i>	5
<i>Definition</i>	10
<i>Delayed 24Hr Fire Zone</i>	11
<i>Disabled</i>	10
<i>Doubling</i>	10
<i>EOL</i>	13
<i>Force Zone</i>	11
<i>Generates a report only</i>	12
<i>Intellizone</i>	12
<i>Partition Assignment</i>	11
<i>Pulsed Audible Alarm</i>	12
<i>Silent Alarm</i>	12
<i>Standard 24Hr Fire Zone</i>	11
<i>Stay Zone</i>	11
<i>Steady Audible Alarm</i>	12
<i>Zone Doubling (ATZ)</i>	10
<i>Zone Options</i>	11
<i>24Hr Burglary zone</i>	10
<i>24Hr Buzzer</i>	10
<i>24Hr Freeze zone</i>	11
<i>24Hr Gas zone</i>	11
<i>24Hr Heat zone</i>	11
<i>24Hr Hold-up zone</i>	10
<i>24Hr Water zone</i>	11
24Hr Zones	10

Warnings

FCC Warnings

IMPORTANT INFORMATION

This equipment complies with Part 68 of the FCC rules subpart D and CS-03. Inside the cover of this equipment is a label that contains, among other information, the FCC registration number of this equipment.

notification to telephone company

Upon request, customer shall notify telephone company of particular line to which the connection will be made and provide the FCC registration number and the ringer equivalence of the protective circuit.

FCC REGISTRATION NUMBER: 5A7CAN-22633 - AL - E
RINGER EQUIVALENCE NUMBER: 0.1B (U.S. & CANADA)
USOC JACK: RJ31X (USA), CA31A (CANADA)

TELEPHONE CONNECTION REQUIREMENTS

Except for telephone company provided ringers, all connections to the telephone network shall be made through standard plugs and telephone company provided jacks, or equivalent, in such a manner as to allow for easy, immediate disconnection of terminal equipment. Standard jacks shall be so arranged that, if plug connected thereto is withdrawn, no interference to operation of equipment at customer's premises which remains connected to telephone network shall occur by reason of such withdrawal.

INCIDENCE OF HARM

Should terminal equipment/protective circuitry cause harm to telephone network, telephone company shall, where practicable, notify customer that temporary disconnection of service may be required; however, where prior notice is not practicable, the telephone company may temporarily discontinue service if action is deemed reasonable in circumstances. In case of temporary discontinuance, telephone company shall promptly notify customer and will be given opportunity to correct the situation.

CHANGES IN TELEPHONE COMPANY EQUIPMENT OR FACILITIES

The telephone company may make changes in its communication facilities, equipment operations or procedures, where such actions are reasonably required and proper in its business. Should any such changes render customer's terminal equipment incompatible with the telephone company facilities, the customer shall be given adequate notice to effect the modifications to maintain uninterrupted service.

GENERAL

This equipment shall not be used on coin telephone lines. Connection to party line service is subject to state tariffs.

RINGER EQUIVALENCE NUMBER (REN)

The REN is useful to determine the quantity of devices that you may connect to your telephone line and still have all of those devices ring when your telephone number is called. In most, but not all areas, sum of the REN's of all devices connected to one line should not exceed five (5). To be certain of the number of devices that you may connect to your line, you may want to contact your local telephone company.

EQUIPMENT MAINTENANCE FACILITY

If you experience trouble with this telephone equipment, please contact facility indicated below for information on obtaining service or repairs. The telephone company may ask that you disconnect this equipment from network until problem is corrected or until you are sure that the equipment is not malfunctioning.

FCC PART 15, WARNINGS: INFORMATION TO USER

This equipment has been tested and found to comply with the limits for Class B digital devices, pursuant to Part 15 of FCC rules. These limits are designed to provide reasonable protection against harmful interference in a residential installation. This equipment generates, uses and can radiate radio frequency energy, and, if not installed and used in accordance with the instructions, may cause harmful interference to radio communications. However, there is no guarantee that interference will not occur in a particular installation. If this equipment does cause harmful interference to equipment intermittently, the user is encouraged to try to correct the interference by one or more of the following measures: (1) reorient or relocate the receiving antenna; (2) increase the separation between the equipment and receiver; (3) connect the equipment to an outlet on a circuit other than the one to which the receiver is connected, or (4) consult the dealer or an experienced radio/tv technician for assistance.

CAUTION:

Changes or modifications not expressly approved by PARADOX SECURITY SYSTEMS could void the user's authority to operate the equipment.

UL and ULC Warnings

UL AND C-UL INSTALLATION NOTES

The control panel (EVO) and LCD Keypad (EVO641) are UL listed in accordance with standard UL1023 (Household Burglar -- Alarm Systems Units), standard UL985 (Household Fire Warning Units), standard UL1635 (Digital Alarm Communicator System Units), standard UL609 (Local Burglar Alarm Units and Systems), standard UL365 (Police Station Connected Burglar Alarm Units and Systems) and standards UL1610 (Monitoring Station Burglar Alarm Units). This equipment has the capability of being programmed with features and connected to modules not verified for use in UL installations. To stay within these standards, the installer should use the following guidelines when configuring the system:

- All components of the system should be UL listed for the intended application.
- If the system will be used for "Fire" detection, the installer should refer to NFPA Standards #72, Chapter 2. In addition, once installation is complete, the local fire authority must be notified of the installation.
- This equipment must be verified by a qualified technician once every three years.
- All keypads must use a tamper switch.
- Maximum allowed entry delay is 45 seconds.
- Maximum allowed exit delay is 60 seconds.
- Minimum 4 minutes for bell cut-off time.
- The following features do not comply with UL requirements: Bypass Recall, Shabbat, Auto Trouble Shutdown, and "No AC Fail" display.
- Do not connect the primary indicating device to a relay. The installer must use the bell output.
- All modules installed on the system must be UL listed in accordance with the standards listed above.
- The metallic enclosure must be grounded to the cold water pipe.

For further details concerning the above information, refer to the UL standards listed and/or the Underwriters Laboratories Inc. Standard for Safety's *Installation and Classification of Burglar and Holdup Alarm Systems*.

Recommended:

- EOL resistor part #2011002000
- Transformers: (A) ATC Frost #FTC3716 16.5Vac, 37VA; (B) ATC Frost #FPS4016 16.5Vac, 40VA; (C) Basler Electronics model #BE156240CAA 16.5Vac (50/60Hz), 20VA or 40VA.
- For CSA listed systems, use Basler Electronics' transformer model #BE116240AAA.
- 12Vdc 7Ah rechargeable acid/lead or gel cell backup battery (YUASA model #NP7-12 recommended) for residential use. 7Ah battery to comply with fire requirements.

All outputs are Class 2 or power-limited, except for the battery terminal. The Class 2 and power-limited fire alarm circuits shall be installed using CL3, CL3R, CL3P, or substitute cable permitted by the National Electrical Code, ANSI/NFPA 70.

The control unit and keypads are intended to be programmed and installed as follows:

Household Fire Warning Systems (US and Canada)

- At least one model EVO641 keypad shall be used with the system.
- One Paradox model MR3-UL end-of-line supervision relay. The relay is intended to provide supervision of the smoke detector power circuit.
- One listed audible device rated to operate over the range of 11.4 to 12.5Vdc and rated 85db minimum is required for this application. For example, Wheelock model 46T-12 is compatible. The bell cutoff time shall be programmed for a minimum of 4 minutes (5 minutes for Canada).
- The fire alarm initiating circuit shall employ the listed model 2011002000-PRT end-of-line resistor.
- For Canadian systems, the secure screw for the listed Class 2 transformer shall not be employed.

Household Grade A Burglar Alarm system Unit (US and Canada)

- At least one listed audible device rated to operate over the range of 11.4 to 12.5Vdc and rated 85db minimum. For example, Wheelock model 46T-12 is compatible.
- At least one model EVO641 keypad shall be used.
- All initiating circuits shall be programmed and installed as end-of-line supervised.
- Burglar alarm initiating devices shall be rated to operate over the range of 11.4 to 12.5Vdc.
- The bell cutoff time shall be programmed for a minimum of 4 minutes.
- The maximum entry delay shall not exceed 60 seconds. The maximum exit delay shall not exceed 45 seconds.
- For Canadian systems, the secure screw for the listed Class 2 transformer shall not be employed.

Grade B Monitoring Station (Level 0)

Same as Household Grade A Burglar alarm system unit except:

- The ringback feature shall be enabled (section [3037] option [5]; page 27).
- The model AB12M Bell and Bell Housing, manufactured by ADEMCO shall be employed. Bell cutoff time shall be programmed for a minimum of 15 minutes (30 minutes for Canada).
- The Auto Test Report setting must be programmed to send a test transmission to the monitoring station at least once every 24 hours (section [3037] options [3] and [4] on page 25 and section [3041] on page 25).
- Openings and closings must be reported to the monitoring station. Report codes shall be enabled.
- Model 278-0000-035 attack resistant enclosure must be employed.

Grade C Monitoring Station (Level 0)

Same as Grade B Monitoring Station except the Grade A Bell housing may not be employed.

Grade A Local Alarm Units (Level 0)

Same as Grade B Monitoring Station except:

- Bell test must be enabled.

Police Station Connect with Basic Line Security (Level 0)

Same as Grade B Monitoring Station except:

- Openings and closings may not be reported to the monitoring station.

Access Control System

- At least one model EVO641R keypad shall be used with the system.
- The listed compatible model DGP-R915 reader shall be employed off the keypad.

Control of the Protected Premise

In order to have a UL certified system, the protected area is to be under the responsibility of one ownership and management (i.e. one business under one name). This may be a group of buildings attached or unattached with different addresses but under the responsibility of someone having mutual interest. The person of mutual interest is not the alarm installing company.

Bell Location

The alarm sounding device (bell) must be located where it can be heard by the person or persons responsible for maintaining the security system during the daily arming cycle.

Protection of the Control Unit

The local control unit and the local power supply must be protected by one of the following ways:

- The control unit and audible alarm device must be in a protected area, which is armed 24 hours a day.
- Each partition shall arm the area protecting the control unit and the audible alarm device power supply. This may require duplicate protection armed by each partition. Access to this protected area, without causing an alarm, will require that all partitions be disarmed

In all cases described above, the protected area for the control unit must be programmed as not bypassable.

CTR-21 Warnings

The equipment has been approved in accordance with Council Decision 98/482/EC for pan-European single terminal connection to the public switched telephone network (PSTN). However, due to differences between the individual PSTNs provided in different countries, the approval does not, of itself, give an unconditional assurance of successful operation on every PSTN network termination point. In the event of problems, you should contact your equipment supplier in the first instance.

General Warning

This equipment must be installed and maintained by qualified service personnel only.

Warranty

For complete warranty information on this product please refer to the Limited Warranty Statement found on the website www.paradox.com/terms. Your use of the Paradox product signifies your acceptance of all warranty terms and conditions.

ATTACHMENT LIMITATION NOTICE

The Industry Canada label identifies certified equipment. This certification means that the equipment meets certain telecommunications network protective, operational and safety requirements. The Department does not guarantee the equipment will operate to the user's satisfaction.

Before installing this equipment, users should ensure that it is permissible to be connected to the facilities of the local telecommunications company. The equipment must also be installed using an acceptable method of connection. The customer should be aware that compliance with the above conditions may not prevent degradation of service in some situations.

Repairs to certified equipment should be made by an authorized Canadian maintenance facility designated by the supplier. Any repairs or alterations made by the user to this equipment, or equipment malfunctions, may give the telecommunications company cause to request the user to disconnect the equipment.

Users should ensure for their own protection that the electrical ground connections of the power utility, telephone lines and internal metallic water pipe system, if present, are connected together. This precaution may be particularly important in rural areas.

CAUTION: Users should not attempt to make such connections themselves, but should contact the appropriate electrical inspection authority, or electrician, as appropriate.

The Load Number (LN) assigned to each terminal device denotes the percentage of the total load to be connected to a telephone loop which is used by the device to prevent overloading. The termination on a loop may consist of any combination of devices subject only to the requirement that the total of the Load Numbers of all of the devices does not exceed 100.

Industry Canada certification is only applicable to installation of devices which include transformers approved by the Canadian Standards Association (CSA).

© 2002-2007 Paradox Security Systems Ltd.

Digiplex EVO, WinLoad, Magellan, NEware and InTouch are trademarks or registered trademarks of Paradox Security Systems Ltd. and its affiliates in Canada, the United States and/or other countries. All rights reserved.

