

Swing Barrier Turnstile Installation Guide

Applicable Models: SBT1000S

Version: 1.2 Date: May. 2018

Chapter 1 Overview

1.1 Preparation

- 1) Cut a slot from the floor with a proper tool. The depth and width should be approximately 100mm and 30mm.
- 2) Put the wire through the pipe.
- 3) In order to avoid the impact on communication, 220V/110V power line (high voltage) and signal line (low voltage) should be separated. The ground wire must be connected.

SBT1000S series appearances and sizes as shown in Figure 1-1

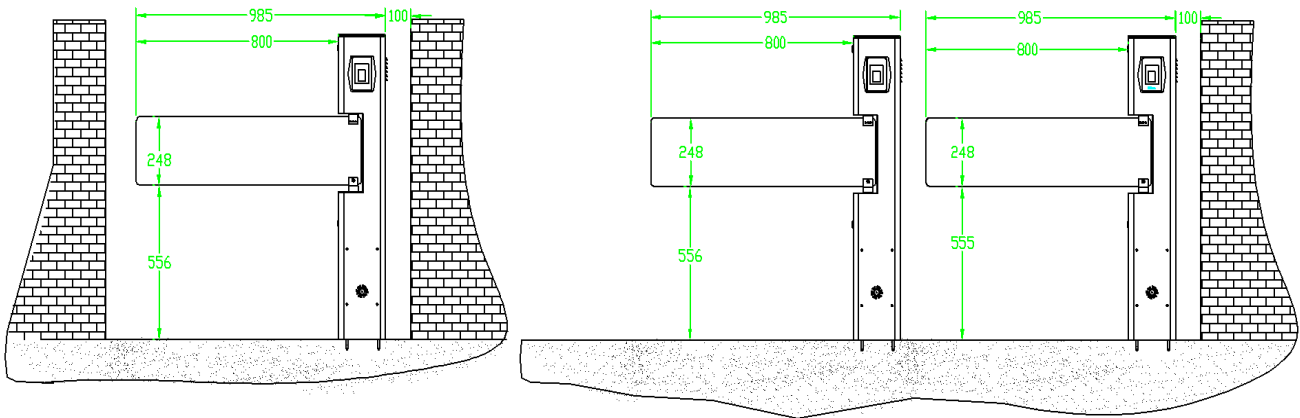


Figure 1-1

Chapter 2 Installation

2.1 Before the installation, it is necessary to check the device first:

- 1) Connect the wires to power supply.
- 2) Open the air switch to test whether the device is working properly, wait for 10 seconds for the gate to complete self-test program. If everything is normal, you can start the installation procedures. If an exception occurs, please contact your vendor for information.

2.2 Cables installation

For the outlets of the concealed cables, please refer to the drawing showing the mounting holes. The input voltage for this swing barrier turnstile is AC100-120V/200-240V. Note that the PVC conduits are buried 100mm below the ground, with the height of the exposed part more than 100mm. As shown in Figure 2-2.

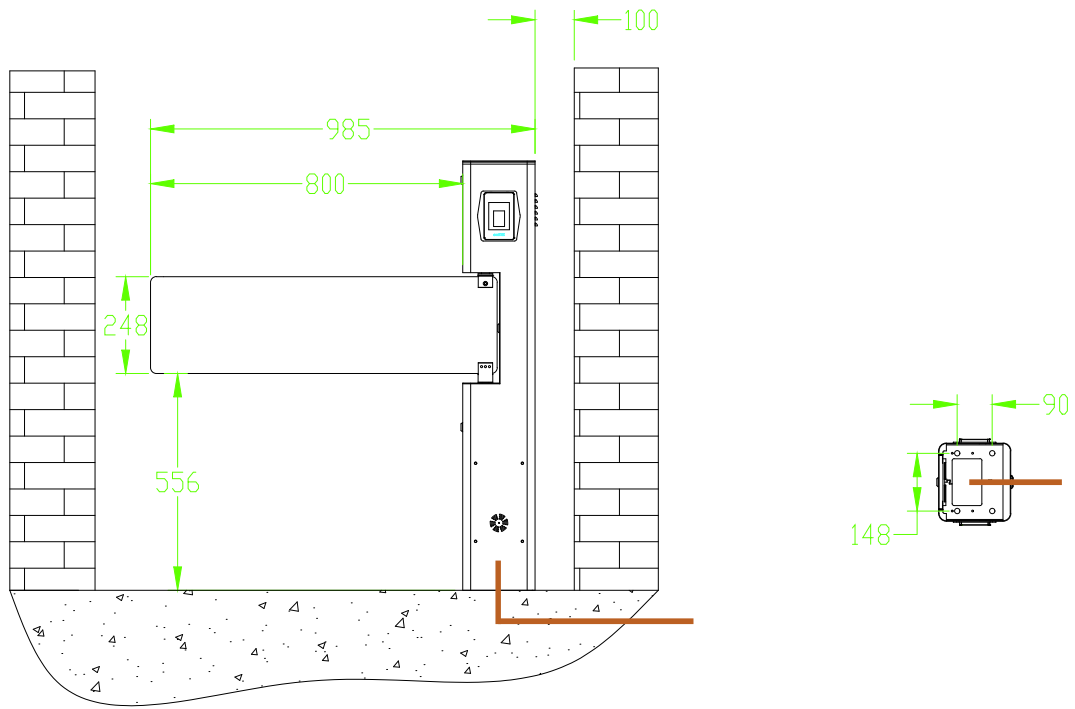


Figure 2-2

2.3 Chassis installation

- 1) Verify the accessories on the list and gather tools.
- 2) Posit the machine on the right place.
- 3) Drill on the ground according to the positioning tape.
- 4) Embedding four expansion bolts (M12) into the positioning holes.
- 5) Remove the access cover, as shown in Figure 2-4A.
- 6) Put pads and use a wrench to tighten nuts, as shown in Figure 2-4B.
- 7) Close the access cover, as shown in Figure 2-4C.
- 8) Install the barrier arm (glass baffle or U-shaped stainless steel pipes), as shown in Figure 2-4D.

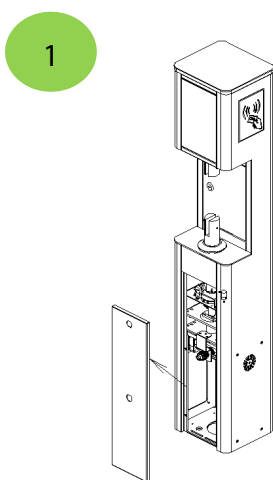


Figure 2-3A

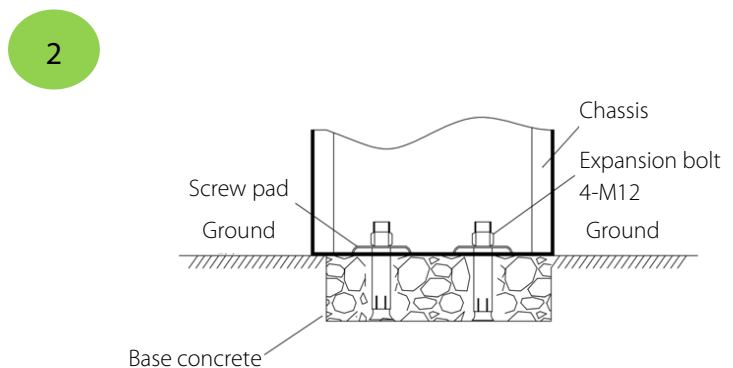


Figure 2-3B

3

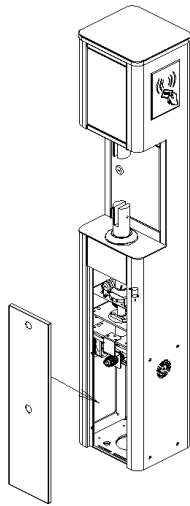


Figure 2-3C

4

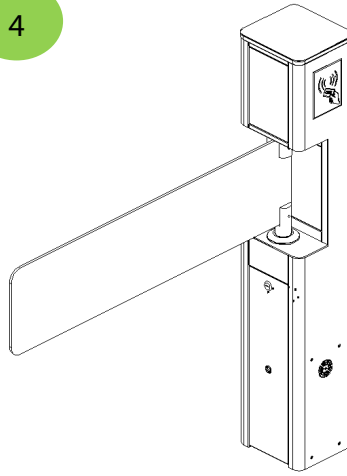


Figure 2-3D

Chapter 3 Wiring diagram and menu instruction

3.1 Wiring diagram

Check circuit according to the following wiring diagram:

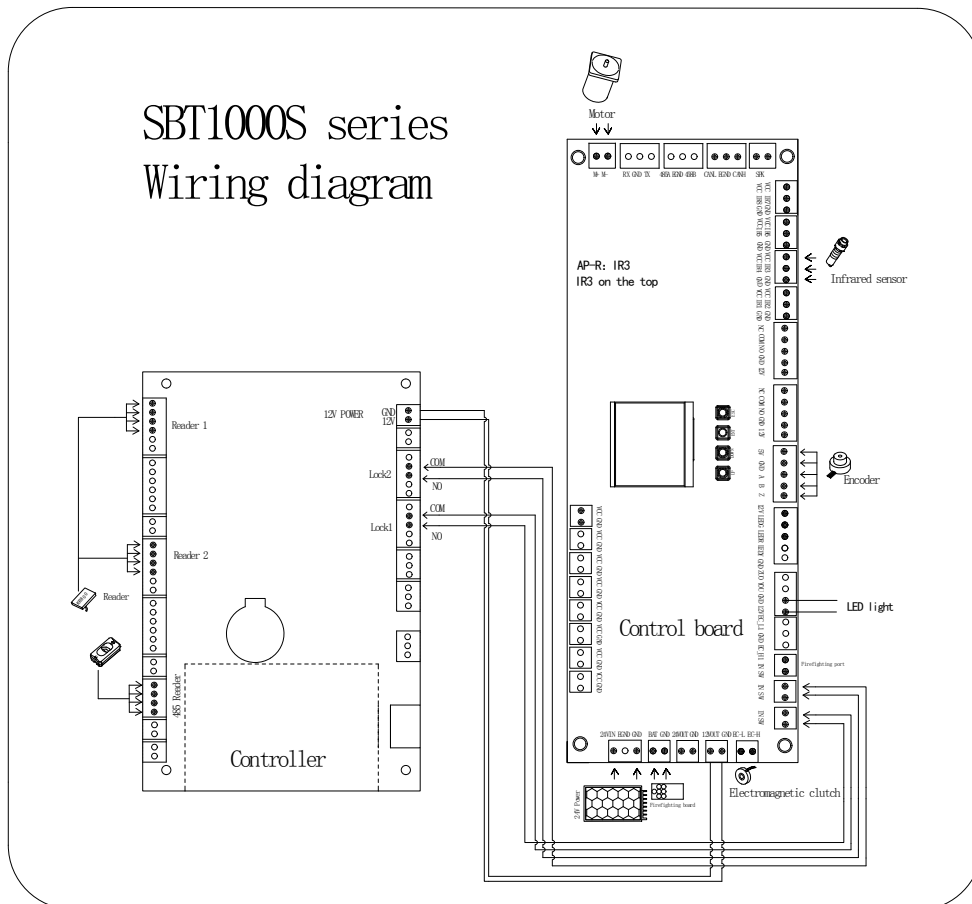


Figure 3-1

3.2 Menu instruction

There are 4 keys on the control panel, including "UP", "DOWN", "ENT" and "ESC".

Press the ENT button, enter the password input interface, the default password is: UP, UP, DOWN, DOWN, DOWN, DOWN. If any step fails please press the ESC button to get back.

3.3 Modify the menu

After enter the menu operation system, press "UP" or "DOWN" to select an item and then press "ENT" to enter the menu, press "UP" or "DOWN" to modify the menu. Finally press "ENT" to confirm.

Chapter 4 Troubleshooting

Number	Failure description	Analysis and solution
1	Gate open, but it is not in place	Motor resistance may be too large, Increase the value of minimum compensation speed.
2	No sound	1. Check if the speaker wire is loose. 2. Check if voice is turned off.
3	Swing arm is not centered	Enter the menu of "Swing arm zero correction" to adjust the zero position.
4	The control panel LCD shows "Encoder wiring error"	Please check if the wiring of encoder A, B phase is reversed, If yes, replace it.
5	The direction of gate open is inconsistent with swiping card.	Access controller left and right gate signal line is reversed, right and left can be adjusted
6	Swipe card, but gate does not open.	1. Check if the menu setting interface does not exit. 2. Check if the gate signal of the access controller is connected to the gate controller. 3. Enter menu to see if current mode is set to card unavailable.